



## Wireless optical sensor RF 96 LT SW868 LBT Article no.: 1318835

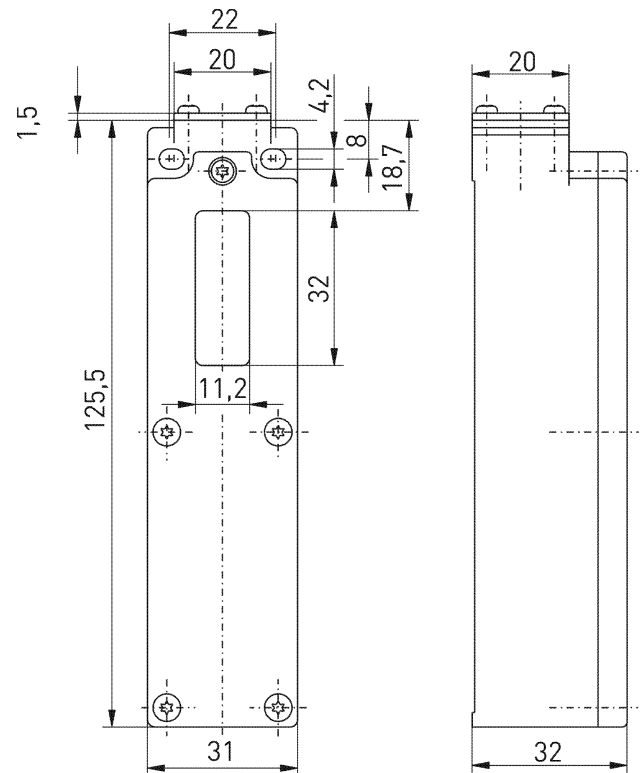
### Product features

- sWave® wireless technology
- Light sensor: registration by light reflection
- Simple mounting
- Low switching frequency < 1 Hz
- Switching distances: 40 mm up to 170 mm (dependent on object colour and material)
- Power supply by Lithium battery (replaceable)
- Easy programming of receiver
- LBT - Listen before Talk Firmware

### Notes

- Factory delivery with battery type SL-760 (AA).

### Dimensions



### General technical data

#### Applied standards

EN 60947-5-2, EN 61000-6-2, EN 61000-6-3, EN 301 489-3, EN 300 220-2

#### Enclosure

thermoplastic, glass-fibre reinforced, shockproof, self-extinguishing UL 94 V-0

#### Tightening torque

M4 enclosure mounting screws: max 1.2 Nm  
M2.5 cover screws: approx. 0.45 Nm

#### Degree of protection

IP54 (IEC/EN 60529)

#### Sensor

IR reflective light sensor

#### Ambient temperature

0 °C ... +65 °C

#### Telegram rate

max. 12000 telegrams with repetitions/h

#### Switching frequency

max. 1 Hz

#### Switching distances

white paper: 170 mm  
grey card 18% reflection: 90 mm  
storage box blue: 90 mm  
storage box red: 120 mm  
storage box black: 40 mm

#### Standby current

130 µA sensor not actuated,  
250 µA sensor actuated

#### Actuating time

min. 300 ms

#### Note

status signal – can be individually configured via radio receiver (delivery state: without status signal)  
LBT – can be deactivated via radio receiver (e.g. in conjunction with repeaters)  
transmission of battery voltage and switching condition  
Go to our different wireless receivers to find corresponding how-to videos.

Errors and omissions excepted.



## Wireless optical sensor RF 96 LT SW868 LBT Article no.: 1318835

### General technical data (contd.)

---

**Wireless approvals**  
Europe: RED 2014/53/EU

**Weight**  
132 g

### Wireless technology

---

**Frequency**  
868.3 MHz (Europe)

**Protocol**  
sWave®

**Data rate**  
66 kbps

**Transmission power**  
< 25 mW

**Channel bandwidth**  
350 kHz

**Wireless range**  
max. 450 m outdoors, max. 40 m indoors

**Modulation type**  
2-FSK

### Voltage supply

---

**Voltage source**  
lithium battery Tadiran SL-2770 (C), replaceable

**Battery life**  
depending on the switching frequency  
sensor mainly not activated  
1 s: ca. 1070 days, 10 s: ca. 2300 days, 100 s: ca. 2600 days  
sensor mainly activated  
1 s: ca. 1000 days, 10 s: ca. 1300 days, 100 s: ca. 1400 days

**System**  
Li/SOCl<sub>2</sub>

**Nominal voltage**  
3.6 V

**Nominal capacity**  
8.5 Ah

### Alternative voltage supply

---

**Voltage source**  
lithium battery Tadiran SL-760 (AA), replaceable

**Battery life**  
depending on the switching frequency  
sensor mainly not activated  
1 s: ca. 270 days, 10 s: ca. 600 days, 100 s: ca. 690 days  
sensor mainly activated  
1 s: ca. 200 days, 10 s: ca. 330 days, 100 s: ca. 360 days

**System**  
Li/SOCl<sub>2</sub>

**Nominal voltage**  
3.6 V

**Nominal capacity**  
2.2 Ah

Errors and omissions excepted.