

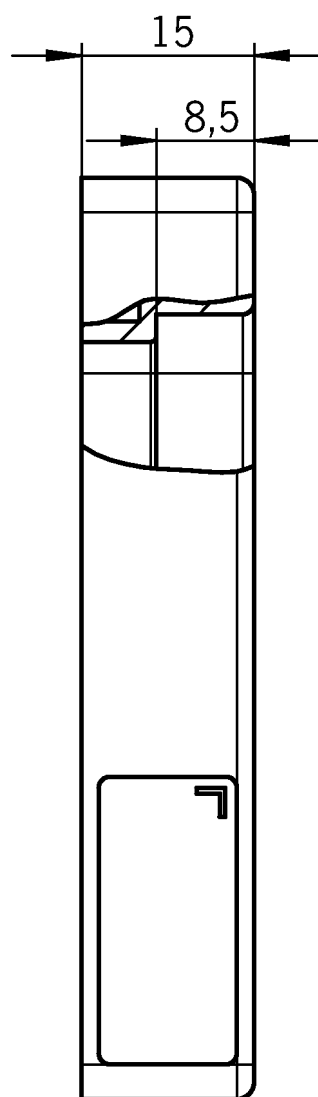
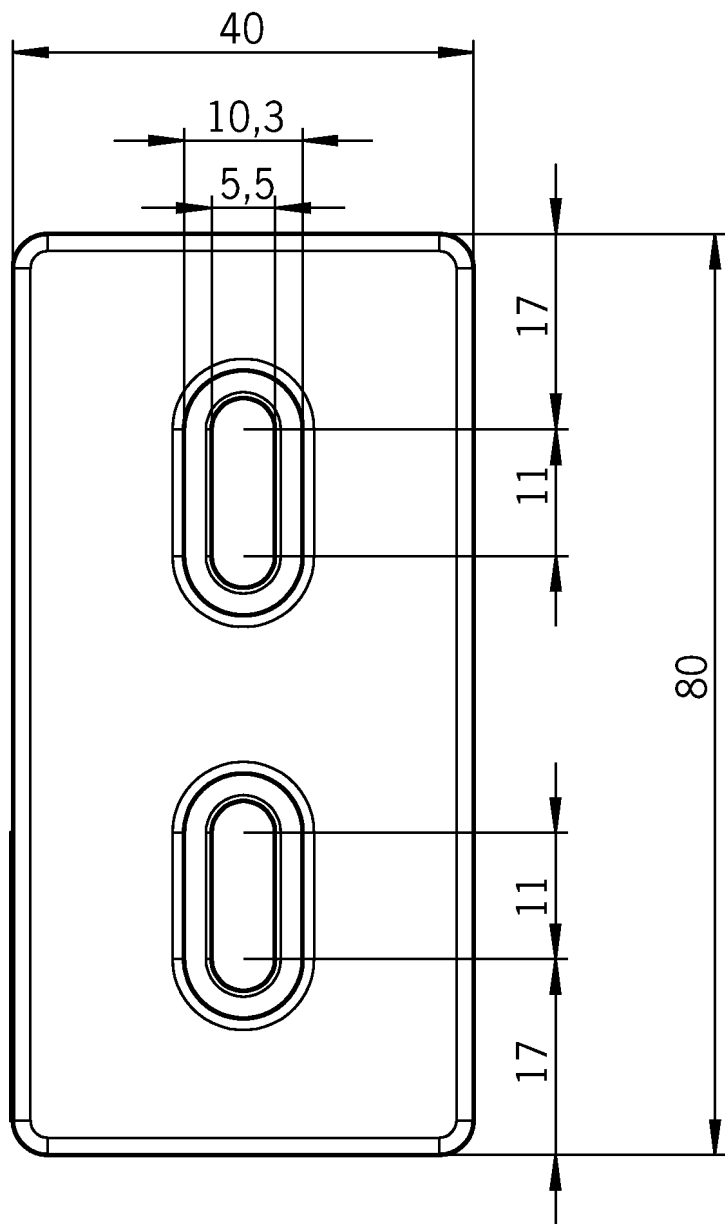
CES-A-BRN-100251 (Order no. 100251)

Actuator CES-A-BRN

- ▶ Cube-shaped design 80 x 40 mm



Dimensional drawings



Technical data

Approvals



Workspace

Actuator distance s

Minimum distance for side approach direction	min. 6 mm
--	-----------

Switch-on distance

with center offset $m=0$	27 mm (for surface mounting of the actuator on metal)
--------------------------	--

Secured switch-off distance s_{ar}

with center offset $m=0$	max. 75 mm (for surface mounting of the actuator on metal)
--------------------------	---

Secured switching distance s_{ao}

with center offset $m=0$	min. 20 mm (for surface mounting of the actuator on metal)
--------------------------	---

Switching hysteresis

with center offset $m=0$	3 mm (for surface mounting of the actuator on metal)
--------------------------	---

Electrical connection values

Power supply	Inductive via read head
--------------	-------------------------

Mechanical values and environment

Tightening torque

Fixing screws	max. 0.5 Nm
---------------	-------------

Storage temperature	-25 ... 70 °C
---------------------	---------------

Mounting type	surface mounting on steel
---------------	---------------------------

Degree of protection	IP67
----------------------	------

Ambient temperature	-25 ... 70 °C
---------------------	---------------

Material

Housing Plastic (PPS)

Components included in the set

Included accessories

2x safety screws M5x16

Downloads

All documentation for this material can be found on our website:

<https://www.euchner.de/en-us/a/100251/?#downloads-tab>

Ordering data

Ordernumber	100251
Item designation	CES-A-BRN-100251
Gross weight	0,06kg
Customs tariff number	85389099990
ECLASS	27-27-24-04 Actuator for safety-related proximity switch

Accessories

Mounting accessories

Safety screws M5 x 16

073456

M5X16/V100

- ▶ Safety screws M5 x 16
- ▶ Packaging unit 100 pieces