

# KL1804 | Bus Terminal, 4-channel digital input, 24 V DC, 3 ms

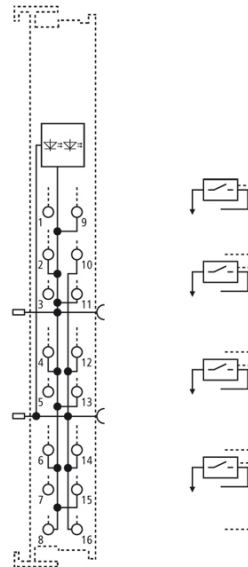
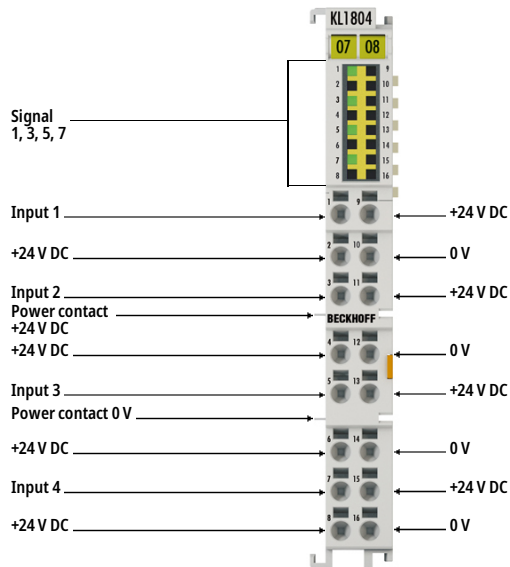


Image similar, may contain optional accessories

**i** **Product status:** regular delivery

The KL1804 digital input terminal acquires the binary 24 V DC control signals from the process level and transmits them, in an electrically isolated form, to the higher-level automation unit. The Bus Terminal has four channels, whose signal state is displayed by light emitting diodes. The power contacts are connected through. With the KL1804, the reference ground for all inputs is the 0 V DC power contact.

Special features:

- input specification type 1/3
- no bouncing due to mechanical switches thanks to 3 ms input filter
- +24 V DC and 0 V DC sensor supply connections
- tool-free connection by direct plug-in technology for solid wire conductors
- increased packing density with 16 connection points in the housing of a 12 mm terminal block

## Product information

### Technical data

Technical data	KL1804
Connection technology	3-wire
Specification	EN 61131-2, type 1/3
Number of inputs	4

Nominal voltage	24 V DC (-15%/+20%)
"0" signal voltage	-3...+5 V (EN 61131-2, type 1/3)
"1" signal voltage	11...30 V (EN 61131-2, type 3)
Input filter	typ. 3.0 ms
Input current	typ. 3 mA (EN 61131-2, type 3)
Current consumption K-bus	typ. 10 mA
Current consumption power contacts	typ. 1 mA + load
Electrical isolation	500 V (K-bus/field potential)
Bit width in the process image	4 inputs
Configuration	no address or configuration setting
Weight	approx. 60 g
Operating temperature	0...55°C
Storage temperature	-25...+85°C
Relative humidity	95%, no condensation
Vibration/shock resistance	conforms to EN 60068-2-6/EN 60068-2-27
EMC immunity/emission	conforms to EN 61000-6-2/EN 61000-6-4
Protect. rating/installation pos.	IP20/variable (see documentation)
Approvals/markings	CE, CCC, UL, ATEX, IECEX, DNV GL
Ex marking	ATEX: II 3 G Ex ec IIC T4 Gc IECEX: Ex ec IIC T4 Gc

<b>Housing data</b>	HD housing
Design form	HD (High Density) housing with signal LEDs
Material	polycarbonate
Dimensions (W x H x D)	12 mm x 100 mm x 68 mm
Installation	on 35 mm DIN rail, conforming to EN 60715 with lock
Side by side mounting by means of	double slot and key connection
Marking	-
Wiring	solid conductors (s): direct plug-in technique; fine-stranded conductors (st) and ferrule (f): spring actuation by screwdriver
Connection cross-section	s*: 0.08...1.5 mm <sup>2</sup> , st*: 0.25...1.5 mm <sup>2</sup> , f*: 0.14...0.75 mm <sup>2</sup>
Stripping length	8...9 mm

\*s: solid wire; st: stranded wire; f: with ferrule