



MicroLogix 1100 Programmable Controllers

Bulletin 1763 Controllers and 1762 Expansion I/O



Allen-Bradley

by ROCKWELL AUTOMATION

User Manual

Original Instructions

Important User Information

Read this document and the documents listed in the additional resources section about installation, configuration, and operation of this equipment before you install, configure, operate, or maintain this product. Users are required to familiarize themselves with installation and wiring instructions in addition to requirements of all applicable codes, laws, and standards.

Activities including installation, adjustments, putting into service, use, assembly, disassembly, and maintenance are required to be carried out by suitably trained personnel in accordance with applicable code of practice.

If this equipment is used in a manner not specified by the manufacturer, the protection provided by the equipment may be impaired.

In no event will Rockwell Automation, Inc. be responsible or liable for indirect or consequential damages resulting from the use or application of this equipment.

The examples and diagrams in this manual are included solely for illustrative purposes. Because of the many variables and requirements associated with any particular installation, Rockwell Automation, Inc. cannot assume responsibility or liability for actual use based on the examples and diagrams.

No patent liability is assumed by Rockwell Automation, Inc. with respect to use of information, circuits, equipment, or software described in this manual.

Reproduction of the contents of this manual, in whole or in part, without written permission of Rockwell Automation, Inc., is prohibited.

Throughout this manual, when necessary, we use notes to make you aware of safety considerations.



WARNING: Identifies information about practices or circumstances that can cause an explosion in a hazardous environment, which may lead to personal injury or death, property damage, or economic loss.



ATTENTION: Identifies information about practices or circumstances that can lead to personal injury or death, property damage, or economic loss. Attentions help you identify a hazard, avoid a hazard, and recognize the consequence.

IMPORTANT Identifies information that is critical for successful application and understanding of the product.

These labels may also be on or inside the equipment to provide specific precautions.



SHOCK HAZARD: Labels may be on or inside the equipment, for example, a drive or motor, to alert people that dangerous voltage may be present.



BURN HAZARD: Labels may be on or inside the equipment, for example, a drive or motor, to alert people that surfaces may reach dangerous temperatures.



ARC FLASH HAZARD: Labels may be on or inside the equipment, for example, a motor control center, to alert people to potential Arc Flash. Arc Flash will cause severe injury or death. Wear proper Personal Protective Equipment (PPE). Follow ALL Regulatory requirements for safe work practices and for Personal Protective Equipment (PPE).

The following icon may appear in the text of this document.



Identifies information that is useful and can help to make a process easier to do or easier to understand.

Preface

About This Publication	9
Purpose of this Manual.....	9
Download Firmware, AOP, EDS, and Other Files	9
Summary of Changes.....	9
Additional Resources	9

Hardware Overview

Chapter 1

Hardware Features.....	11
Component Descriptions.....	12
MicroLogix 1100 Memory Module and Built-in Real-time Clock	12
1762 Expansion I/O Modules.....	12
Communication Cables	13
Programming.....	13
Communication Options.....	14

Install Your Controller

Chapter 2

Installation Considerations	15
Safety Considerations	15
Hazardous Location Considerations.....	15
Disconnecting Main Power.....	16
Safety Circuits.....	16
Power Distribution	17
Periodic Tests of Master Control Relay Circuit	17
Power Considerations	17
Isolation Transformers.....	17
Power Supply Inrush.....	17
Loss of Power Source.....	17
Input States on Power Down	18
Other Types of Line Conditions.....	18
Help Prevent Excessive Heat.....	18
Master Control Relay.....	18
Emergency Stop Switches	19
Install a Memory Module.....	22
Using the Battery	22
Connecting the Battery Wire Connector.....	23
Controller Mounting Dimensions.....	23
Controller and	
Expansion I/O Spacing.....	24
Mount the Controller.....	24
DIN Rail Mounting	25
Panel Mounting	26
1762 Expansion I/O Module Dimensions.....	26
Mount 1762 Expansion I/O	27
DIN Rail Mounting	27
Panel Mounting	27

	Connect Expansion I/O Modules	28
Wire Your Controller	Chapter 3	
	Wiring Requirements	29
	Wiring Recommendation	29
	Wiring the Terminal Block	29
	Use Surge Suppressors	30
	Recommended Surge Suppressors	32
	Ground the Controller	32
	Wiring Diagrams	33
	Terminal Block Layouts	33
	Terminal Groupings	34
	Sinking and Sourcing Wiring Diagrams	35
	1763-L16AWA, 1763-L16BWA, 1763-L16BBB, and 1763-L16DWD Wiring Diagrams	35
	Controller I/O Wiring	37
	Minimizing Electrical Noise	37
	Wire Your Analog Channels	37
	Analog Channel Wiring Guidelines	37
	Minimize Electrical Noise on Analog Channels	38
	Ground Your Analog Cable	38
	Expansion I/O Wiring	39
	Digital Wiring Diagrams	39
	Analog Wiring	45
Communication Connections	Chapter 4	
	Supported Communication Protocols	51
	Default Communication Configuration	51
	Use the Communications Toggle Functionality	52
	Change Communication Configuration	52
	Connect to the RS-232 Port	55
	Make a DF1 Point-to-point Connection	55
	Use a Modem	56
	Connect to a DF1 Half-duplex Network	57
	Connecting to a DH-485 Network	59
	DH-485 Configuration Parameters	59
	Recommended Tools	61
	DH-485 Communication Cable	61
	Connecting the Communication Cable to the DH-485 Connector	61
	Ground and Terminate the DH-485 Network	63
	Connect the AIC+	63
	Cable Selection Guide	64
	Recommended User-supplied Components	66
	Safety Considerations	67
	Install and Attach the AIC+	67
	Power the AIC+	67
	Connecting to Ethernet	68
	Ethernet Connections	68

Use the LCD and Keypad

Chapter 5

Operating Principles	72
Startup Screen	72
Main Menu and Default Screen	73
Operating Buttons	74
Select Between Menu Items	75
Cursor Display	75
Setting Values	76
I/O Status	76
View I/O Status	77
Monitor Bit File	77
Target Bit File Number (TBF)	77
Monitor a Bit File	79
Monitor Integer File	82
Target Integer File Number (TIF)	82
Monitor an Integer File	83
Use the Mode Switch	88
Controller Modes	88
Change Mode Switch Position	89
Use a User-defined LCD Screen	90
User-defined LCD Screen	91
Configure Advanced Settings	92
Change Key In Mode	92
Key In Modes	92
Change Key In Mode	93
Communications Toggle Functionality	94
Ethernet Port Configuration	95
Trimpots	96
Trimpot Operation	96
Changing Data Value of a Trimpot	97
Trimpot Configuration in LCD Function File	98
Error Conditions	98
View System Information	98
View Fault Code	99

Chapter 6

Use Real-time Clock and Memory Modules

Real-time Clock Operation	101
Operation at Power-up and Entering a Run or Test Mode	101
Write Data to the Real-time Clock	101
RTC Battery Operation	101
Memory Module Operation	102
User Program, User Data, and Recipe Back-up	102
Program Compare	102
Data File Download Protection	103
Memory Module Write Protection	103
Removal/Insertion Under Power	103
Memory Module Information File	103
Program/Data Download	103
Program/Data Upload	103

Online Editing	Chapter 7	
	Overview of Online Editing	105
	Online Editing Terms	105
	Effects of Online Editing On Your System	106
	System Impacts.	106
	Data Table File Size.	106
	Online Edit Error	107
	Directions and Cautions for MicroLogix 1100 Online Edit User	107
	Change the RSLinx “Configure CIP Option” (OS Series A FRN 1, 2, and 3 only).	107
	A Download is Required Before Starting Online Editing	107
	Types of Online Editing	108
	Edit Functions in Runtime Online Editing.	109
	Edit Functions in Program Online Editing	109
Specifications	Appendix A	
	MicroLogix 1100 Controller Specifications	111
	1762 Expansion I/O Specifications	118
	Digital I/O Modules	118
	Analog I/O Modules	122
Replacement Parts	Appendix B	
	MicroLogix 1100 Replacement Kits	129
	Lithium Battery (1763-BA)	129
	Installation	129
	Battery Handling	130
	Storage	130
	Transportation	130
	Disposal	131
Troubleshoot Your System	Appendix C	
	Understand the Controller Status Indicators.	133
	Controller Status Indicators.	133
	Status Indicators on the LCD.	134
	I/O Status Indicators on the LCD.	134
	Normal Operation	135
	Error Conditions	135
	Controller Error Recovery Model	136
	Analog Expansion I/O Diagnostics and Troubleshooting	137
	Module Operation and Channel Operation	137
	Power-up Diagnostics	137
	Critical and Non-critical Errors.	137
	Module Error Definition Table	137
	Error Codes	138
	Calling Rockwell Automation for Assistance	139

Use ControlFLASH to Upgrade Your Operating System	Appendix D	
	Prepare for Firmware Update	141
	Install ControlFLASH Software	141
	Use DMK Extraction Tool for Firmware Upgrade	141
	Prepare the Controller for Firmware Update	143
	Sequence of Operation	143
	Missing or Corrupt OS LED Pattern	144
Connect to Networks via RS-232/RS-485 Interface	Appendix E	
	RS-232 Communication Interface	145
	RS-485 Communication Interface	145
	DF1 Full-duplex Protocol	145
	DF1 Half-duplex Protocol	146
	DF1 Half-duplex Operation	146
	Considerations When Communicating as a DF1 Slave on a Multi-drop Link	147
	Use Modems with MicroLogix Programmable Controllers	147
	DH-485 Communication Protocol	148
	DH-485 Configuration Parameters	149
	Devices that use the DH-485 Network	149
	Important DH-485 Network Planning Considerations	149
	Example DH-485 Connections	152
	Modbus Communication Protocol	154
	ASCII	154
Connect to Networks via Ethernet Interface	Appendix F	
	MicroLogix 1100 Controllers and Ethernet Communication	155
	MicroLogix 1100 Performance Considerations	155
	MicroLogix 1100 and Computer Connections to the Ethernet Network	156
	Connect an Ethernet switch on the Ethernet Network	156
	Cables	157
	Ethernet Connections	158
	Duplicate IP address Detection	159
	Configure the Ethernet Channel on the MicroLogix 1100 Controller	159
	Configure Using RSLogix 500 Programming Software	160
	Configure Using BOOTP	160
	Using the Rockwell Automation BOOTP/DHCP Utility	161
	Use a DHCP Server To Configure Your Processor	162
	Subnet Masks and Gateways	162
	Manually Configuring Channel 1 for Controllers on Subnets	163
	MicroLogix 1100 Embedded Web Server Capability	163
System Loading and Heat Dissipation	Appendix G	
	System Loading Calculations	165
	System Loading Example Calculations	165
	System Loading Worksheet	166
	Current Loading	166
	Calculating Heat Dissipation	167

Glossary 169

Index173

About This Publication

Use this manual if you are responsible for designing, installing, programming, or troubleshooting control systems that use MicroLogix™ 1100 controllers.

You should have a basic understanding of electrical circuitry and familiarity with relay logic. If you do not, obtain the proper training before using this product.

Rockwell Automation recognizes that some of the terms that are currently used in our industry and in this publication are not in alignment with the movement toward inclusive language in technology. We are proactively collaborating with industry peers to find alternatives to such terms and making changes to our products and content. Please excuse the use of such terms in our content while we implement these changes.

Purpose of this Manual

This manual is a reference guide for MicroLogix 1100 controllers and 1762 expansion I/O. It describes the procedures that you use to install, wire, and troubleshoot your controller. This manual:

- Explains how to install and wire your controllers
- Gives you an overview of the MicroLogix 1100 controller system

See the MicroLogix 1100 Programmable Controllers Instruction Set Reference Manual, publication [1763-RM001](#), for the MicroLogix 1100 instruction set and for application examples to show the instruction set in use. See your RSLogix 500® programming software user documentation for more information on programming your MicroLogix 1100 controller.

Download Firmware, AOP, EDS, and Other Files

Download firmware, associated files (such as AOP, EDS, and DTM), and access product release notes from the Product Compatibility and Download Center at rok.auto/pcdc.

Summary of Changes

This publication contains the following new or updated information. This list includes substantive updates only and is not intended to reflect all changes.

Topic	Page
Updated template	throughout
Added inclusive language acknowledgment	9
Updated General Specifications	111
Updated Environmental Specifications	121, 126
Updated Certifications	122, 127

Additional Resources

These documents contain additional information concerning related products from Rockwell Automation. You can view or download publications at rok.auto/literature.

Additional Resources

Resource	Description
MicroLogix 1100 Programmable Controllers Instruction Set Reference Manual, publication 1763-RM001	Information on the MicroLogix 1100 controllers instruction set.
AIC+ Advanced Interface Converter User Manual, publication 1761-UM004	A description on how to install and connect an AIC+. This manual also contains information on network wiring.
DeviceNet Interface User Manual, publication 1761-UM005	Information on how to install, configure, and commission a DeviceNet® Interface (DNI).
DF1 Protocol and Command Set Reference Manual, publication 1770-RM516	Information on DF1 open protocol.
Modbus Protocol Specifications, available from www.modbus.org	Information about the Modbus protocol.
System Security Design Guidelines Reference Manual, publication SECURE-RM001	Provides guidance on how to conduct security assessments, implement Rockwell Automation products in a secure system, harden the control system, manage user access, and dispose of equipment.
UL Standards Listing for Industrial Control Products, publication CMPNTS-SR002	Assists original equipment manufacturers (OEMs) with construction of panels, to help ensure that they conform to the requirements of Underwriters Laboratories.
Industrial Components Preventive Maintenance, Enclosures, and Contact Ratings Specifications, publication IC-TD002	Provides a quick reference tool for Allen-Bradley industrial automation controls and assemblies.

Additional Resources (Continued)

Resource	Description
Safety Guidelines for the Application, Installation, and Maintenance of Solid-state Control, publication SGI-1.1	Designed to harmonize with NEMA Standards Publication No. ICS 1.1-1987 and provides general guidelines for the application, installation, and maintenance of solid-state control in the form of individual devices or packaged assemblies incorporating solid-state components.
Industrial Automation Wiring and Grounding Guidelines, publication 1770-4.1	Provides general guidelines for installing a Rockwell Automation industrial system.
Product Certifications website, rok.auto/certifications	Provides declarations of conformity, certificates, and other certification details.

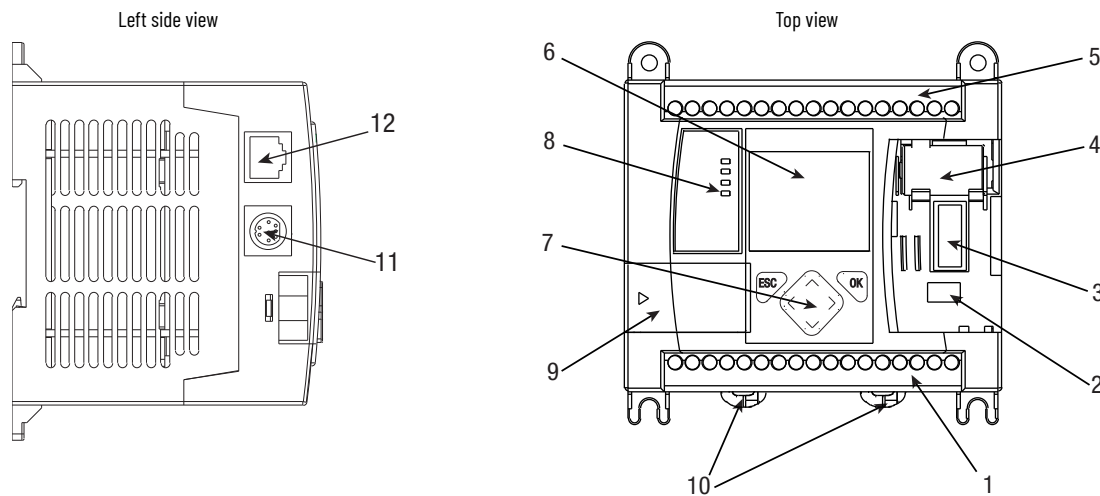
Hardware Overview

Hardware Features

The MicroLogix 1100 programmable controller contains a power supply, input and output circuits, a processor, an isolated combination RS-232/RS-485 communication port, and an Ethernet port. Each controller supports 18 I/O points (10 digital inputs, 2 analog inputs, and 6 discrete outputs).

The hardware features of the controller are shown in [Figure 1](#).

Figure 1 - Controller Hardware Features



Controller Description

	Description		Description
1	Output terminal block	7	LCD keypad (ESC, OK, Up, Down, Left, Right)
2	Battery connector	8	Status indicators
3	Bus connector interface to expansion I/O	9	Memory module port cover ⁽¹⁾ or memory module ⁽²⁾
4	Battery	10	DIN rail latches
5	Input terminal block	11	RS-232/RS-485 communication port (Channel 0, isolated)
6	LCD display	12	Ethernet port (Channel 1)

- (1) Shipped with controller
 (2) Optional equipment

Table 1 - Controller Input Power and Embedded I/O

Catalog Number	Description			
	Input Power	Digital Inputs	Analog Inputs	Digital Outputs
1763-L16AWA	120/240V AC	10 120V AC	2 voltage input 0...10V DC	6 relays All individually isolated
1763-L16BWA	120/240V AC	6 24V DC 4 high-speed 24V DC ⁽¹⁾	2 voltage input 0...10V DC	6 relays All individually isolated
1763-L16BBB	24V DC	6 24V DC 4 high-speed 24V DC ⁽¹⁾	2 voltage input 0...10V DC	2 relays (isolated) 2 24V DC FET 2 high-speed 24V DC FET
1763-L16DWD	12...24V DC	6 12...24V DC 4 high-speed 12/24V DC ⁽¹⁾	2 voltage input 0...10V DC	6 relays All individually isolated

(1) The four high-speed inputs (inputs 0...3) can be used individually for pulse catch/latching inputs or combined as a high-speed counter. See [Digital Input Specifications on page 112](#) and the MicroLogix 1100 Programmable Controllers Instruction Set Reference Manual, publication [1763-RM001](#), for more information.

Component Descriptions

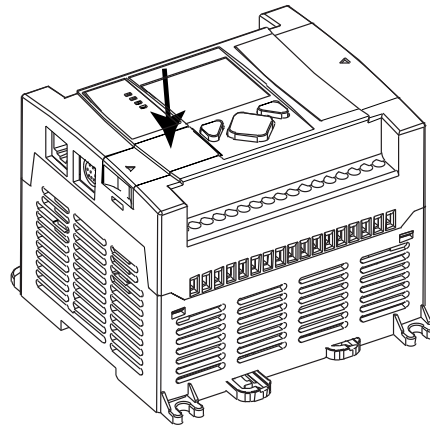
MicroLogix 1100 Memory Module and Built-in Real-time Clock

The controller has a built-in real-time clock to provide a reference for applications that need time-based control.

The controller is shipped with a memory module port cover in place. You can order a memory module, 1763-MM1, as an accessory. The memory module provides an optional backup of your user program and data, and is a means to transport your programs between controllers.

The program and data in your MicroLogix 1100 controller is nonvolatile and is stored when the power is lost to the controller. The memory module provides additional backup that can be stored separately. The memory module does not increase the available memory of the controller.

Figure 2 - 1763-MM1 Memory Module



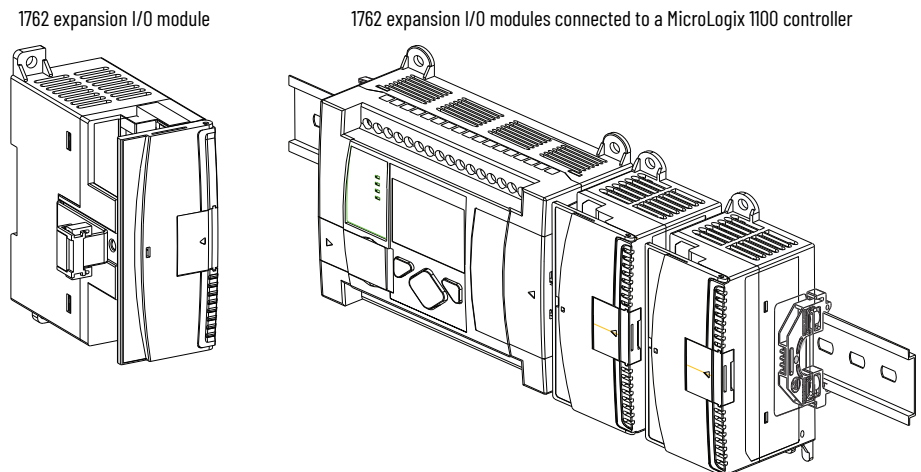
1762 Expansion I/O Modules

1762 expansion I/O modules can be connected to the MicroLogix 1100 controller, as shown in [Figure 3](#).



A maximum of four I/O modules, in *any* combination, can be connected to a controller. See [System Loading and Heat Dissipation on page 165](#) to determine how much heat a certain combination generates.

Figure 3 - 1762 Expansion I/O Modules



Expansion I/O Modules

Catalog Number	Description
Digital	
1762-IA8	8-point 120V AC input module
1762-IQ8	8-point sinking/sourcing 24V DC input module
1762-IQ16	16-point sinking/sourcing 24V DC input module
1762-IQ32T	32-point sinking/sourcing 24V DC input module
1762-OA8	8-point 120/240V AC Triac output module
1762-OB8	8-point sourcing 24V DC output module
1762-OB16	16-point sourcing 24V DC output module
1762-OB32T	32-point sourcing 24V DC output module
1762-OV32T	32-point sinking 24V DC output module
1762-OW8	8-point AC/DC relay output module
1762-OW16	16-point AC/DC relay output module
1762-OX6I	6-point isolated AC/DC relay output module
1762-IQ8OW6	8-point sinking/sourcing 24V DC input and 6-point AC/DC relay output module
Analog	
1762-IF4	4-channel voltage/current analog input module
1762-OF4	4-channel voltage/current analog output module
1762-IF2OF2	Combination 2-channel input 2-channel output voltage/current analog module
Temperature	
1762-IR4	4-channel RTD/resistance input module
1762-IT4	4-channel thermocouple/mV input module

Communication Cables

Use only the following communication cables with the MicroLogix 1100 controllers. These cables are required for Class I Division 2 applications.

- 1761-CBL-AM00, series C or later
- 1761-CBL-AP00, series C or later
- 1761-CBL-PM02, series C or later
- 1761-CBL-HM02, series C or later
- 1761-CBL-PH02, series A or later
- 1761-CBL-AH02, series A or later
- 2707-NC9, series C or later
- 1763-NC01, series A or later



ATTENTION: UNSUPPORTED CONNECTION

Do not connect a MicroLogix 1100 controller to another MicroLogix family controller such as MicroLogix 1000, MicroLogix 1200, MicroLogix 1500, or the network port of a 1747-DPS1 port splitter with a 1761-CBL-AM00 (8-pin mini-DIN to 8-pin mini-DIN) cable or equivalent.

This type of connection damages the RS-232/RS-485 communication port (Channel 0) of the MicroLogix 1100 and/or the controller itself. The communication pins that are used for RS-485 communications on the MicroLogix 1100 controller are alternately used for 24V power on the other MicroLogix controllers and the network port of the 1747-DPS1 port splitter.

Programming

Program the MicroLogix 1100 controller using RSLogix 500 software, version 7.00.00 or later. To use the latest features, you must use RSLogix 500 software, version 7.20.00 or later. Communication cables for programming are available separately from the controller and software.

Communication Options

MicroLogix 1100 controllers provide two communications ports: an isolated combination RS-232/RS-485 communication port (Channel 0) and an Ethernet port (Channel 1).

You can connect the isolated Channel 0 port on the MicroLogix 1100 controller to the following:

- Operator interfaces, personal computers, and so on, using DF1 Full-duplex point-to-point
- A DH-485 network
- A DF1 Radio Modem network
- A DF1 Half-duplex network as an RTU master or RTU slave
- A Modbus network as an RTU master or RTU slave
- An ASCII network
- An Ethernet network using the Ethernet Interface module (1761-NET-ENI or 1761-NET-ENIW)

When connecting to a DH-485 network, DF1 Half-duplex network^(a) or a Modbus network, the MicroLogix 1100 controller can be connected directly to Channel 0 (without an Advanced Interface Converter, 1761-NET-AIC). The Channel 0 combo port provides both RS-232 and RS-485 isolated connections. The appropriate electrical interface is selected through your choice of communication cable. The existing MicroLogix 1761 communication cables provide an interface to the RS-232 drivers. The 1763-NC01 cable provides an interface to the RS-485 drivers (for DH-485, Modbus RTU Master, RTU slave networks, DF1 Half-duplex master^(a), and DF1 Half-duplex slave^(a)).

The controller may also be connected to serial devices, such as barcode readers, weigh scales, serial printers, and other intelligent devices, using ASCII. See [Default Communication Configuration on page 51](#) for the configuration settings for Channel 0. MicroLogix 1100 controllers can be connected directly to the RS-485 network via channel 0, using ASCII^(a).

The MicroLogix 1100 controller supports EtherNet/IP™ communication via the Ethernet communication Channel 1. You can connect your controller to a local area network that provides communication between various devices at 10 Mbps or 100 Mbps. This port supports CIP™ explicit messaging (message exchange) only. The controller cannot be used for CIP implicit messaging (real-time I/O messaging). The controller also includes an embedded web server, which allows viewing of not only module information, TCP/IP configuration, and diagnostic information, but also includes the data table memory map and data table monitor screen using a standard web browser.

See [Communication Connections on page 51](#) for more information on connecting to the available communication options.

(a) OS series B FRN 4 or later.

Install Your Controller

Installation Considerations

Most applications require installation in an industrial enclosure (Pollution Degree 2^(a)) to reduce the effects of electrical interference (Over Voltage Category II^(b)) and environmental exposure. Locate your controller as far as possible from power lines, load lines, and other sources of electrical noise such as hard-contact switches, relays, and AC motor drives. For more information on proper grounding guidelines, see the Industrial Automation Wiring and Grounding Guidelines publication [1770-4.1](#).



ATTENTION: Electrostatic discharge can damage semiconductor devices inside the controller. Do not touch the connector pins or other sensitive areas.



ATTENTION: Vertical mounting of the controller is not supported due to heat build-up considerations.



ATTENTION: Be careful of metal chips when drilling mounting holes for your controller or other equipment within the enclosure or panel. Drilled fragments that fall into the controller or I/O modules could cause damage. Do not drill holes above a mounted controller if the protective debris shields are removed or the processor is installed.



ATTENTION: Do not place the MicroLogix 1100 programmable controller in direct sunlight. Prolonged exposure to direct sunlight could degrade the LCD display and have adverse effects on the controller. The controller is not designed for outdoor use.

Safety Considerations

Safety considerations are an important element of proper system installation. Actively considering the safety of yourself and others, and the condition of your equipment, is of primary importance. We recommend reviewing the following safety considerations.

Hazardous Location Considerations

This equipment is suitable for use in Class I Division 2, Groups A, B, C, D, or non-hazardous locations only. The following WARNING statement applies to use in hazardous locations.

- (a) Pollution Degree 2 is an environment where normally only non-conductive pollution occurs except that occasionally temporary conductivity that is caused by condensation shall be expected.
- (b) Overvoltage Category II is the load-level section of the electrical distribution system. At this level, transient voltages are controlled and do not exceed the impulse voltage capability of the product's insulation.



WARNING: EXPLOSION HAZARD

- Substitution of components may impair suitability for Class I Division 2.
- Do not replace components or disconnect equipment unless power has been switched off.
- Do not connect or disconnect components unless power has been switched off.
- This product must be installed in an enclosure. All cables connected to the product must remain in the enclosure or be protected by conduit or other means.
- All wiring must comply with N.E.C. article 501-10(b).
- The interior of the enclosure must be accessible only by the use of a tool.
- For applicable equipment (for example, relay modules), exposure to some chemicals may degrade the sealing properties of the materials that are used in these devices:
 - Relays, epoxy

It is recommended that you periodically inspect these devices for any degradation of properties and replace the module if degradation is found.

Use only the communication cables that are listed in [Table 2](#) in Class I Division 2 hazardous locations.

Table 2 - Communication Cables for Class I Division 2 Hazardous Locations

Catalog Number	Catalog Number
1761-CBL-PM02, series C or later	2707-NC9, series C or later
1761-CBL-HM02, series C or later	1763-NC01, series A or later
1761-CBL-AM00, series C or later	—
1761-CBL-AP00, series C or later	—
1761-CBL-PH02, series A or later	—
1761-CBL-AH02, series A or later	—

Disconnecting Main Power



WARNING: EXPLOSION HAZARD

Do not replace components, connect equipment, or disconnect equipment unless power has been switched off.

The main power disconnect switch should be located where operators and maintenance personnel have quick and easy access to it. In addition to disconnecting electrical power, all other sources of power (pneumatic and hydraulic) should be de-energized before working on a machine or process that is controlled by a controller.

Safety Circuits



WARNING: EXPLOSION HAZARD

Do not connect or disconnect connectors while the circuit is live.

Circuits installed on the machine for safety reasons, like overtravel limit switches, stop push buttons, and interlocks, should always be hard-wired directly to the master control relay. These devices must be wired in series so that when any one device opens, the master control relay is de-energized, which removes power to the machine. Never alter these circuits to defeat their function. Serious injury or machine damage could result.

Power Distribution

There are some points about power distribution that you should know:

- The master control relay must be able to inhibit all machine motion by removing power to the machine I/O devices when the relay is de-energized. It is recommended that the controller remains powered even when the master control relay is de-energized.
- If you are using a DC power supply, interrupt the load side rather than the AC line power. This avoids the additional delay of power supply turn-off. The DC power supply should be powered directly from the fused secondary of the transformer. Power to the DC input and output circuits should be connected through a set of master control relay contacts.

Periodic Tests of Master Control Relay Circuit

Any part can fail, including the switches in a master control relay circuit. The failure of one of these switches would most likely cause an open circuit, which is a safe power-off failure. However, if one of these switches shorts out, it no longer provides any safety protection. These switches should be tested periodically to help verify that they stop machine motion when needed.

Power Considerations

The following explains the power considerations for the micro controllers.

Isolation Transformers

Consider using an isolation transformer in the AC line to the controller. This type of transformer provides isolation from your power distribution system to reduce the electrical noise that enters the controller and is often used as a step-down transformer to reduce line voltage. Any transformer that is used with the controller must have a sufficient power rating for its load. The power rating is expressed in voltamperes (VA).

Power Supply Inrush

During power-up, the MicroLogix 1100 power supply allows a brief inrush current to charge internal capacitors. Many power lines and control transformers can supply inrush current for a brief time. If the power source cannot supply this inrush current, the source voltage could sag momentarily.

The only effect of limited inrush current and voltage sag on the MicroLogix 1100 controller is that the power supply capacitors charge more slowly. However, consider the effect of a voltage sag on other equipment. For example, a deep voltage sag could reset a computer that is connected to the same power source. The following considerations determine whether the power source is required to supply high inrush current:

- The power-up sequence of devices in a system
- The amount of the power source voltage sag if the inrush current cannot be supplied
- The effect of voltage sag on other equipment in the system

If the entire system is powered-up simultaneously, a brief sag in the power source voltage typically does not affect any equipment.

Loss of Power Source

The power supply is designed to withstand brief power losses without affecting the operation of the system. The time that the system is operational during power loss is called program scan hold-up time after loss of power. The duration of the power supply hold-up time depends on the type and state of the I/O, but is typically between 10 milliseconds and 3 seconds. When the duration of power loss reaches this limit, the power supply signals the processor that it can no longer provide adequate DC power to the system. This is referred to as a power supply shutdown. The processor then performs an orderly shutdown of the controller.

Input States on Power Down

The power supply hold-up time that is described previously is longer than the turn-on and turn-off times of the inputs. Because of this, the input state change from On to Off that occurs when power is removed could be recorded by the processor before the power supply shuts down the system. Understanding this concept is important. The user program should be written to take this effect into account.

Other Types of Line Conditions

Occasionally the power source to the system can be temporarily interrupted. It is also possible that the voltage level drops substantially below the normal line voltage range for a period of time. Both of these conditions are considered to be a loss of power for the system.

For most applications, normal convective cooling keeps the controller within the specified operating range. Confirm that the specified temperature range is maintained. Proper spacing of components within an enclosure is sufficient for heat dissipation.

In some applications, a substantial amount of heat is produced by other equipment inside or outside the enclosure. In this case, place blower fans inside the enclosure to help with air circulation and to reduce hot spots near the controller.

Additional cooling provisions might be necessary when high ambient temperatures are encountered.



Do not bring in unfiltered outside air. Place the controller in an enclosure to protect it from a corrosive atmosphere. Harmful contaminants or dirt could cause improper operation or damage to components. In extreme cases, you can use air conditioning to protect against heat build-up within the enclosure.

Help Prevent Excessive Heat

Master Control Relay

A hard-wired master control relay (MCR) provides a reliable means for emergency machine shutdown. Since the master control relay allows the placement of several emergency stop switches in different locations, its installation is important from a safety standpoint. Overtravel limit switches or mushroom-head push buttons are wired in series so that when any of them opens, the master control relay is de-energized. This removes power to input and output device circuits. See [Figure 4](#) and [Figure 5](#).



ATTENTION: Never alter these circuits to defeat their function since serious injury and/or machine damage could result.



If you are using an external DC power supply, interrupt the DC output side rather than the AC line side of the supply to avoid the additional delay of power supply turn-off.

The AC line of the DC output power supply should be fused.

Connect a set of master control relays in series with the DC power supplying the input and output circuits.

Place the main power disconnect switch where operators and maintenance personnel have quick and easy access to it. If you mount a disconnect switch inside the controller enclosure, place the switch operating handle on the outside of the enclosure, so that you can disconnect power without opening the enclosure.

Whenever any of the emergency stop switches are opened, power to input and output devices should be removed.

When you use the master control relay to remove power from the external I/O circuits, power continues to be provided to the controller's power supply so that diagnostic indicators on the processor can still be observed.

The master control relay is not a substitute for a disconnect to the controller. It is intended for any situation where the operator must quickly de-energize I/O devices only. When inspecting or installing terminal connections, replacing output fuses, or working on equipment within the enclosure, use the disconnect to shut off power to the rest of the system.



Do not control the master control relay with the controller. Provide the operator with the safety of a direct connection between an emergency stop switch and the master control relay.

Emergency Stop Switches

When using emergency stop switches, adhere to the following points:

- Do not program emergency stop switches in the controller program. Any emergency stop switch should turn off all machine power by turning off the master control relay.
- Observe all applicable local codes concerning the placement and labeling of emergency stop switches.
- Install emergency stop switches and the master control relay in your system. Verify that relay contacts have a sufficient rating for your application. Emergency stop switches must be easy to reach.
- In the following illustration, input and output circuits are shown with MCR protection. However, in most applications, only output circuits require MCR protection.

[Figure 4](#) and [Figure 5](#), show the master control relay that is wired in a grounded system.



In most applications, input circuits do not require MCR protection; however, if you must remove power from all field devices, you must include MCR contacts in series with input power wiring.

Figure 4 - Schematic (Using IEC Symbols)

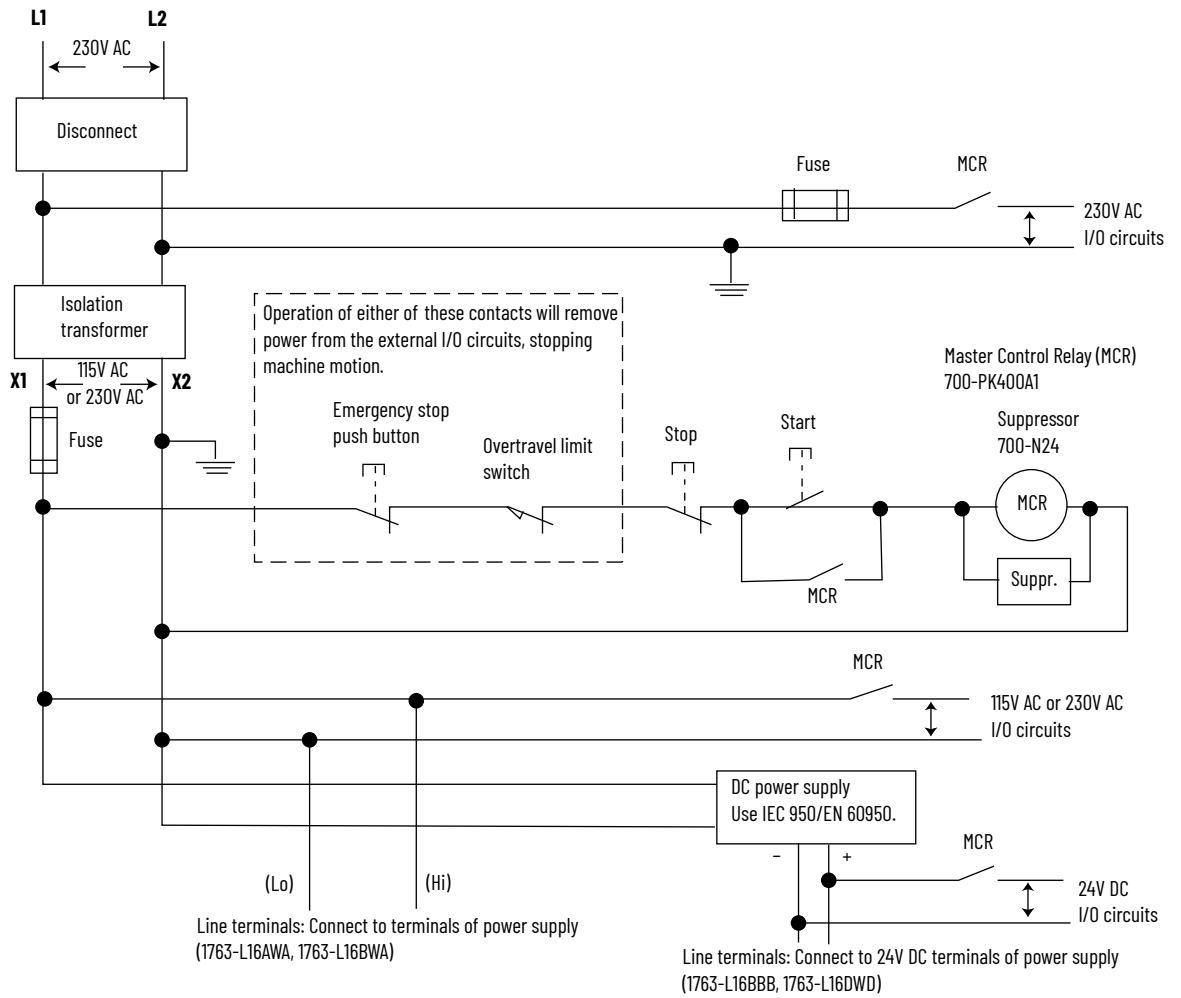
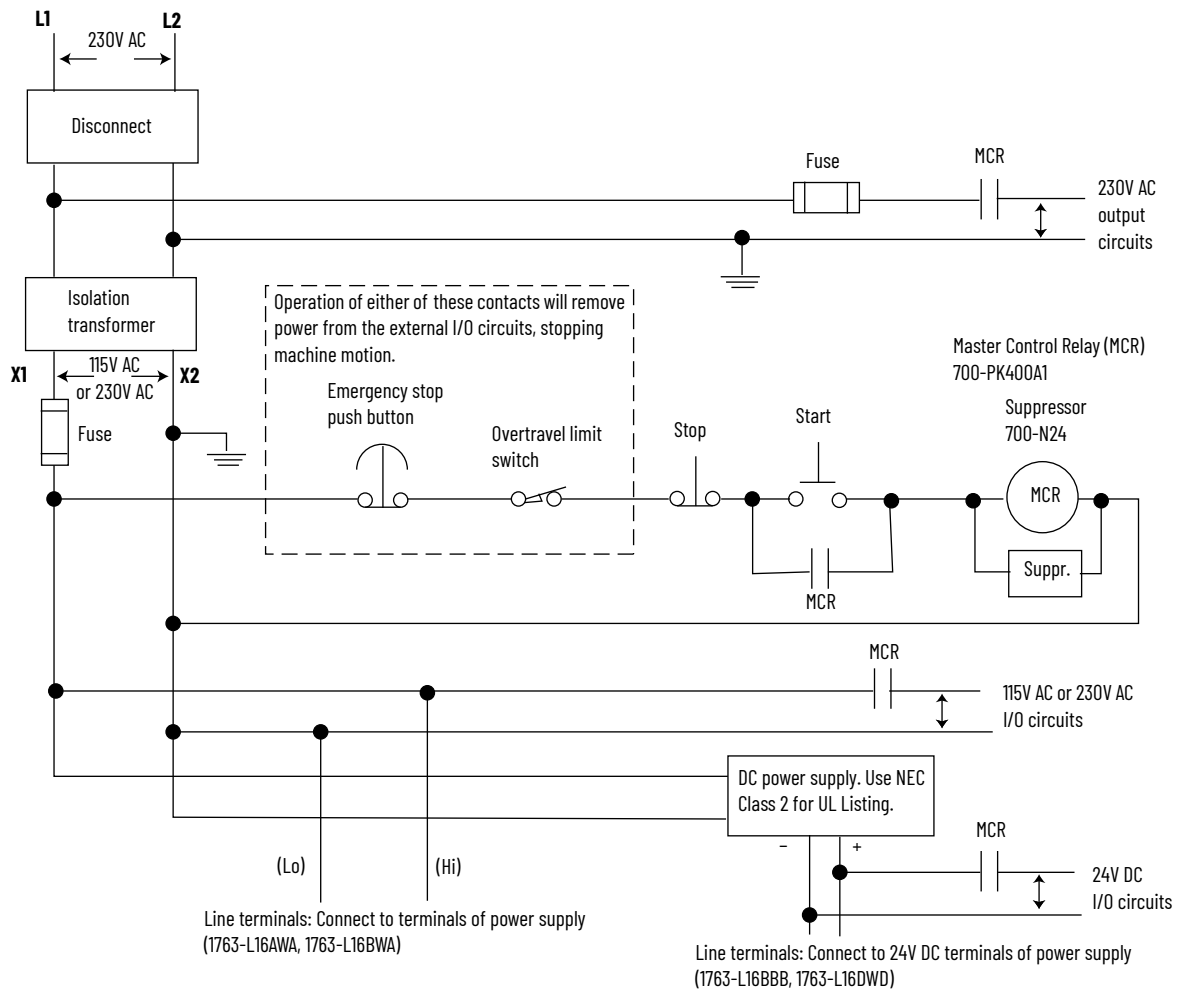


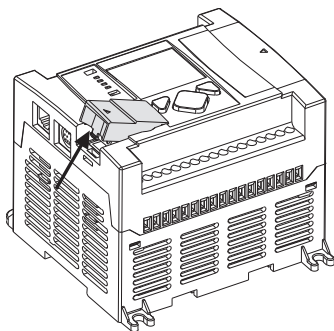
Figure 5 - Schematic (Using ANSI/CSA Symbols)



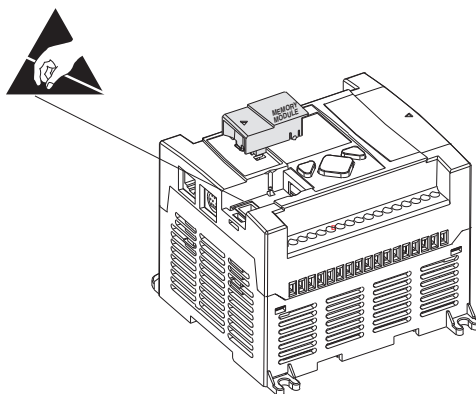
Install a Memory Module

To install a memory module, do as follows:

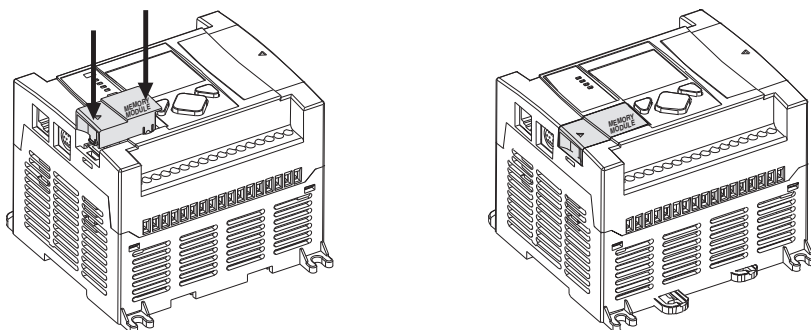
1. Remove the memory module port cover.



2. Align the connector on the memory module with the connector pins on the controller.



3. Firmly seat the memory module into the controller.



Using the Battery

The MicroLogix 1100 controller is equipped with a replaceable battery (1747-BA). The Battery Low indicator on the LCD display of the controller shows the status of the replaceable battery. When the battery is low, the indicator is set (displayed as a solid rectangle). This means that either the battery wire connector is disconnected, or the battery fails within 2 weeks if it is connected. When the battery level is acceptable, the indicator is clear (displayed as an empty rectangle).

IMPORTANT

The MicroLogix 1100 controller ships with the battery wire connector connected. Ensure that the battery wire connector is inserted into the connector port if your application needs battery power. For example, when using a real-time clock (RTC), or to store the program in the controller's memory for an extended time while the power is removed. See Guidelines for Handling Lithium Batteries Installation Instructions, publication [1747-IN515](#), for more information on installation, handling, usage, storage, and disposal of the battery.

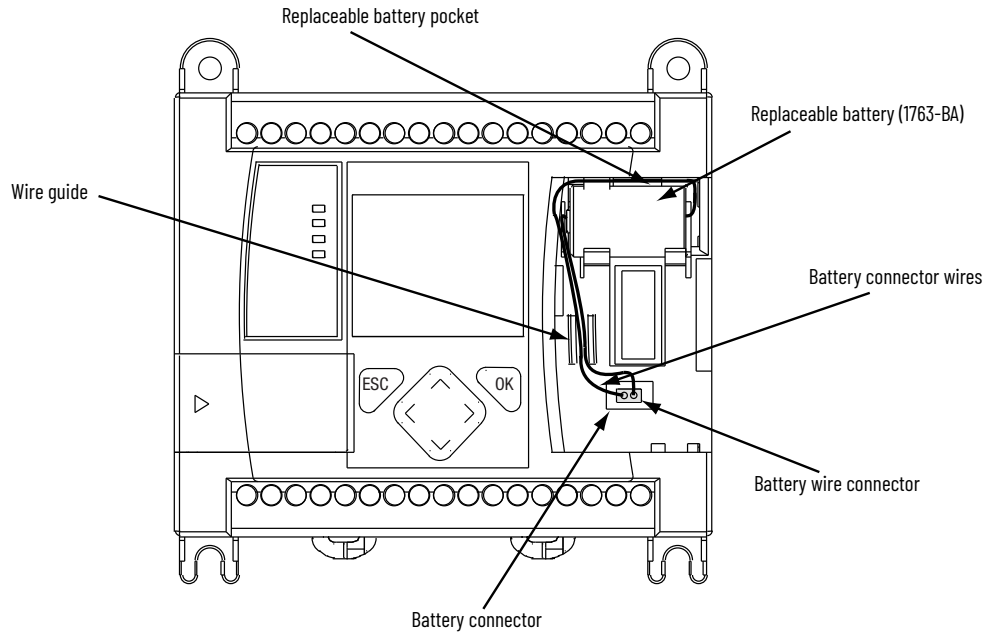
See [RTC Battery Operation on page 101](#), for more information on the use of the battery in relation with RTC.

IMPORTANT When the controller’s Battery Low indicator is set (displayed as a solid rectangle) with the battery wire connector connected, we recommend strongly to install a new battery immediately.

Connecting the Battery Wire Connector

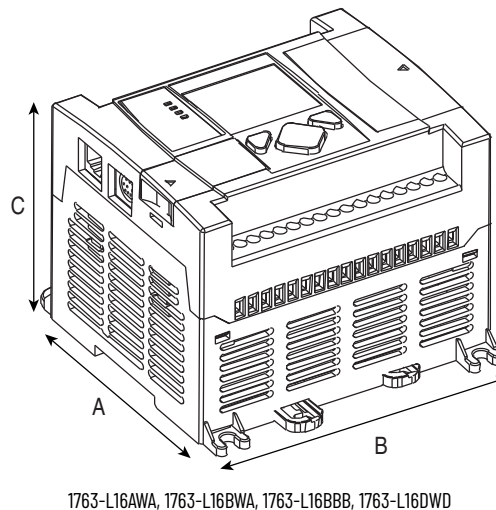
To connect the battery wire connector to the battery connector, do as follows:

1. Insert the replaceable battery wire connector into the controller’s battery connector.
2. Secure the battery connector wires along the wire guide.



Controller Mounting Dimensions

Figure 6 - Controller Dimensions



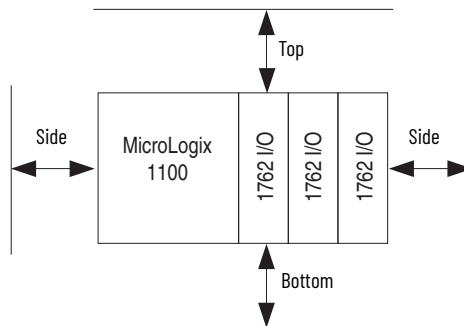
1763-L16AWA, 1763-L16BWA, 1763-L16BBB, 1763-L16DWD

Dimension	1763-L16AWA	1763-L16BWA	1763-L16BBB	1763-L16DWD
A	90 mm (3.5 in.)			
B	110 mm (4.33 in.)			
C	87 mm (3.43 in.)			

Controller and Expansion I/O Spacing

The controller mounts horizontally, with the expansion I/O extending to the right of the controller. Allow 50 mm (2 in.) of space on all sides of the controller system for adequate ventilation. Maintain spacing from enclosure walls, wireways, adjacent equipment, and so on, as shown in [Figure 7](#).

Figure 7 - Controller and Expansion I/O Spacing

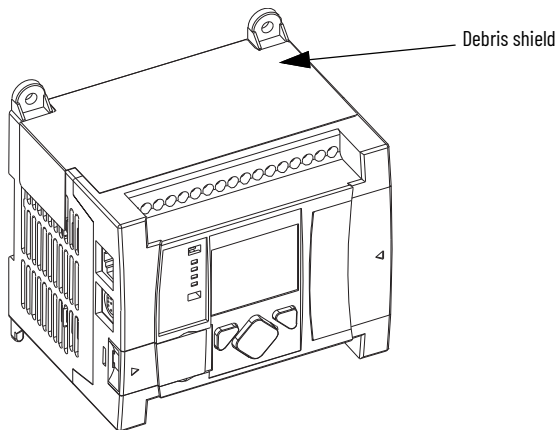


Mount the Controller

MicroLogix 1100 controllers are suitable for use in an industrial environment when installed in accordance with these instructions. Specifically, this equipment is intended for use in clean, dry environments (Pollution degree 2^(a)) and to circuits not exceeding Over Voltage Category II^(b) (IEC 60664-1).^(c)



ATTENTION: Do not remove the protective debris shield until after the controller and all other equipment in the panel near the controller are mounted and wiring is complete. Once the wiring is complete, remove the protective debris shield. Failure to remove the shield before operating can cause overheating.



ATTENTION: Electrostatic discharge can damage semiconductor devices inside the controller. Do not touch the connector pins or other sensitive areas.



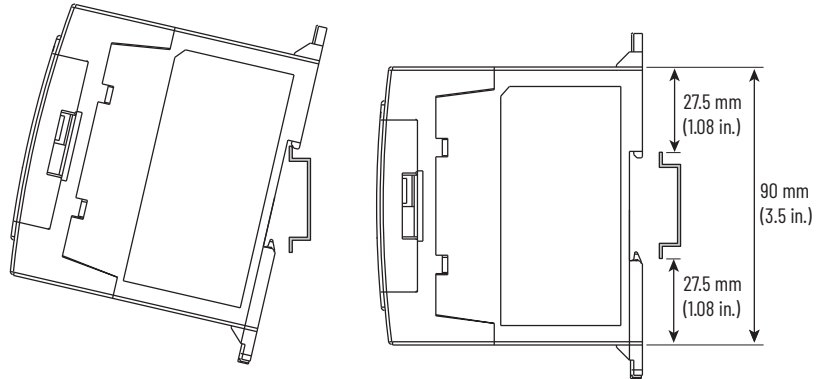
For environments with greater vibration and shock concerns, use the panel mounting method that is described in [Panel Mounting on page 26](#), rather than DIN rail mounting.

- (a) Pollution Degree 2 is an environment where, normally, only non-conductive pollution occurs except that occasionally a temporary conductivity that is caused by condensation shall be expected.
- (b) Over Voltage Category II is the load-level section of the electrical distribution system. At this level transient voltages are controlled and do not exceed the impulse voltage capability of the product's insulation.
- (c) Pollution Degree 2 and Over Voltage Category II are International Electrotechnical Commission (IEC) designations.

DIN Rail Mounting

The maximum extension of the latch is 14 mm (0.55 in.) in the open position. A flat-blade screwdriver is required to remove the controller. The controller can be mounted to EN 50022 - 35 x 7.5 or EN 50022 - 35 x 15 DIN rails. DIN rail mounting dimensions are shown in [Figure 8](#).

Figure 8 - DIN Rail Mounting Dimensions

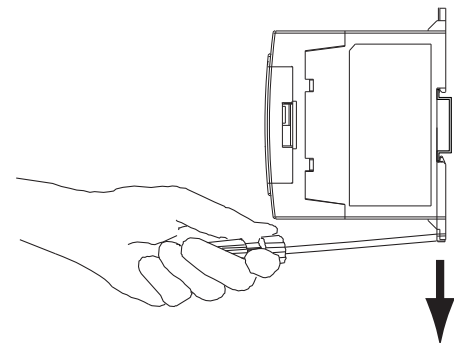
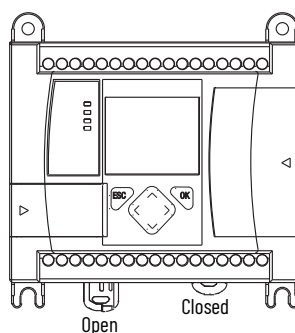


To install your controller on the DIN rail, do as follows:

1. Mount your DIN rail. Make sure that the placement of the controller on the DIN rail meets the recommended spacing requirements. See [Controller and Expansion I/O Spacing on page 24](#).
2. Close the DIN latch, if it is open.
3. Hook the top slot over the DIN rail.
4. While pressing the controller down against the top of the rail, snap the bottom of the controller into position.
5. Leave the protective debris shield attached until you are finished wiring the controller and any other devices.

To remove your controller from the DIN rail:

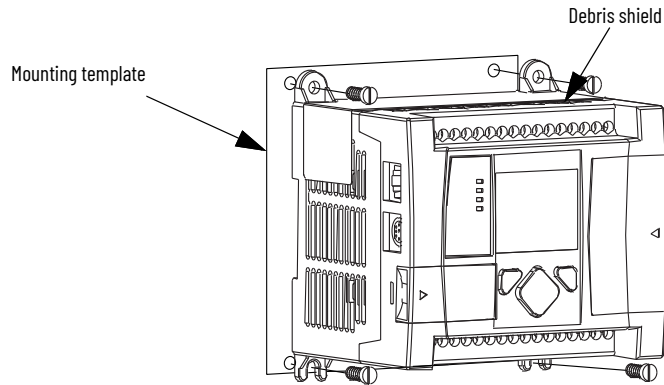
1. Place a flat-blade screwdriver in the DIN rail latch at the bottom of the controller.
2. Holding the controller, pry downward on the latch until the latch locks in the open position.
3. Repeat steps 1 and 2 for the second DIN rail latch.
4. Unhook the top of the DIN rail slot from the rail.



Panel Mounting

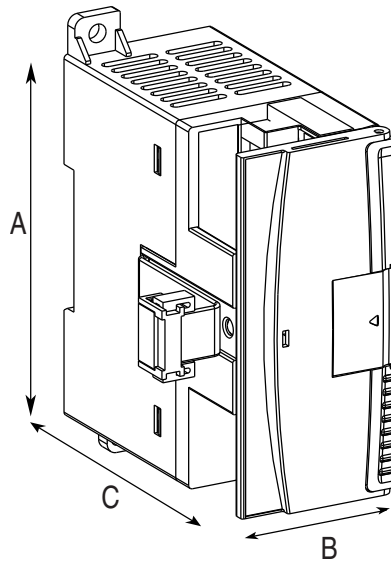
Mount to panel using #8 or M4 screws. To install your controller using mounting screws:

1. Secure the template to the mounting surface. Make sure that your controller is spaced properly. See [Controller and Expansion I/O Spacing on page 24](#).
2. Drill holes through the template.
3. Remove the mounting template.
4. Mount the controller.
5. Leave the protective debris shield in place until you are finished wiring the controller and any other devices.



1762 Expansion I/O Module Dimensions

Figure 9 - 1762 Expansion I/O Module Dimensions



Dimension	Expansion I/O Module
A	90 mm (3.5 in.)
B	40 mm (1.57 in.)
C	87 mm (3.43 in.)

Mount 1762 Expansion I/O



ATTENTION: During panel or DIN rail mounting of all devices, be sure that all debris such as metal chips and wire stands, is kept from falling into the module. Debris that falls into the module could cause damage when the module is under power.

DIN Rail Mounting

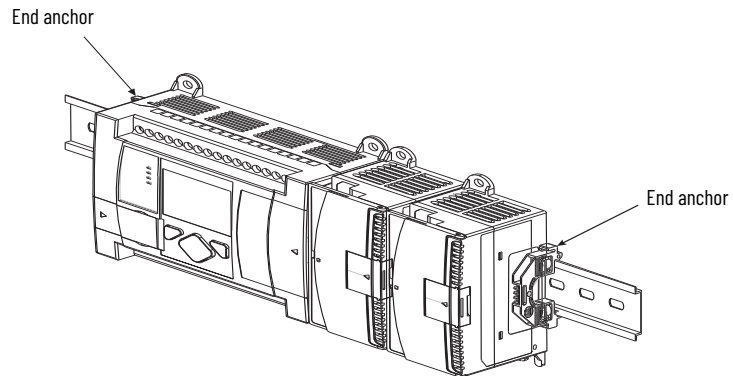
The module can be mounted using the following DIN rails:

- 35 x 7.5 mm (EN 50022 - 35 x 7.5)
- 35 x 15 mm (EN 50022 - 35 x 15)

Before mounting the module on a DIN rail, close the DIN rail latch. Press the DIN rail mounting area of the module against the DIN rail. The latch momentarily opens and locks into place.

Use DIN rail end anchors (Allen-Bradley part number 1492-EA35 or 1492-EAH35) for vibration or shock environments. [Figure 10](#) shows the location of the end anchors.

Figure 10 - End Anchor Location



1762 expansion I/O must be mounted horizontally as illustrated.



For environments with greater vibration and shock concerns, use the panel mounting method described below, instead of DIN rail mounting.

Panel Mounting

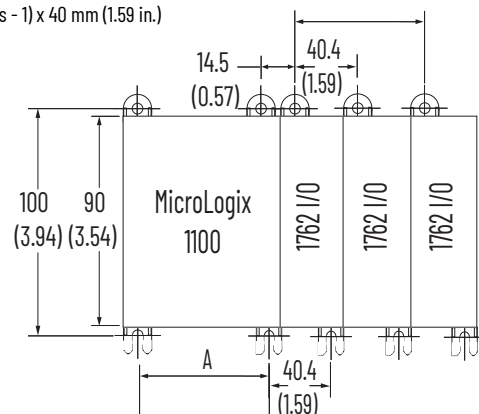
Use the dimensional template shown in [Figure 11](#) to mount the module. The preferred mounting method is to use two M4 or #8 panhead screws per module. Mounting screws are required on every module.

Figure 11 - Dimensional Template

For more than 2 modules: (number of modules - 1) x 40 mm (1.59 in.)

A = 95 mm (3.74 in.)
1763-L16AWA, 1763-L16BWA, 1763-L16BBB,
1763-L16DWD

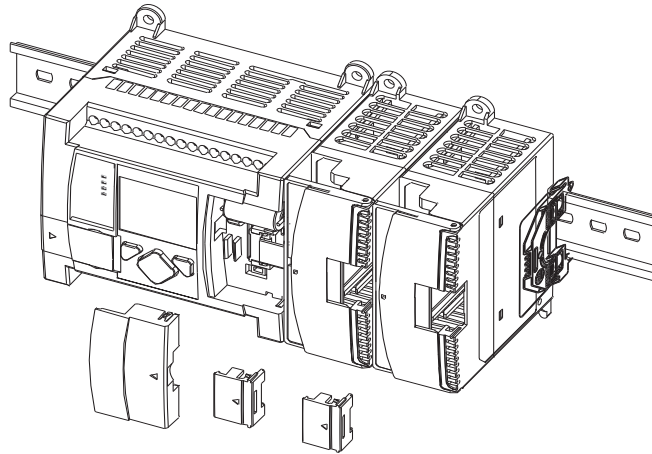
All dimensions are in mm (inches).
Hole spacing tolerance: ±0.4 mm (0.016 in.)



Connect Expansion I/O Modules

The expansion I/O module is attached to the controller or another I/O module by means of a flat ribbon cable after mounting, as shown in [Figure 12](#).

Figure 12 - Attach Expansion I/O Module



Use the pull loop on the connector to disconnect modules. Do not pull on the ribbon cable.



You can connect up to four expansion I/O modules to a controller.



ATTENTION: Remove power before removing or inserting an I/O module. When you remove or insert a module with power applied, an electric arc may occur. An electric arc can cause personal injury or property damage by:

- Sending an erroneous signal to your system's field devices, causing the controller to fault
- Causing an explosion in a hazardous environment

Electrical arcing causes excessive wear to contacts on both the module and its mating connector. Worn contacts may create electrical resistance, reducing product reliability.



WARNING: EXPLOSION HAZARD

In Class I Division 2 applications, the bus connector must be fully seated and the bus connector cover must be snapped in place.

In Class I Division 2 applications, all modules must be mounted in direct contact with each other as shown in [Connect Expansion I/O Modules on page 28](#). If DIN rail mounting is used, an end emergency stop must be installed ahead of the controller and after the last 1762 I/O module.

Wire Your Controller

Wiring Requirements

Wiring Recommendation



ATTENTION: Before you install and wire any device, disconnect power to the controller system.



ATTENTION: Calculate the maximum possible current in each power and common wire. Observe all electrical codes dictating the maximum current allowable for each wire size. Current above the maximum rating may cause wiring to overheat, which can cause damage.
United States Only: If the controller is installed within a potentially hazardous environment, all wiring must comply with the requirements stated in the National Electrical Code 501-10 (b).

- Allow for at least 50 mm (2 in.) between I/O wiring ducts or terminal strips and the controller.
- Route incoming power to the controller by a path separate from the device wiring. Where paths must cross, their intersection should be perpendicular.
- Do not run signal or communications wiring and power wiring in the same conduit. Wires with different signal characteristics should be routed by separate paths.
- Separate wiring by signal type. Bundle wiring with similar electrical characteristics together.
- Separate input wiring from output wiring.
- Label wiring to all devices in the system. Use tape, shrink-tubing, or other dependable means for labeling purposes. In addition to labeling, use colored insulation to identify wiring based on signal characteristics. For example, you may use blue for DC wiring and red for AC wiring.

Table 3 - Wire Requirements

Wire Type		Wire Size (2 wire maximum per terminal screw) ⁽¹⁾	
		1 wire per terminal	2 wires per terminal
Solid	Cu 90 °C (194 °F)	0.5...4.0 mm ² (12...20 AWG)	0.5...1.5 mm ² (16...20 AWG)
Stranded	Cu 90 °C (194 °F)	0.5...2.5 mm ² (14...20 AWG)	0.5...0.75 mm ² (18...20 AWG)

(1) Wiring torque = 0.56 N•m (5.0 lb•in) rated

Wiring the Terminal Block

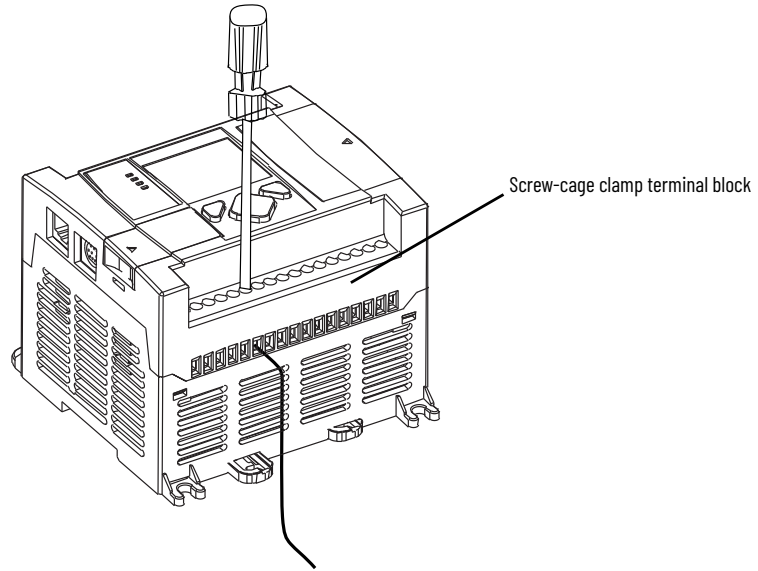
The MicroLogix 1100 controllers have screw-cage clamps on the input and output terminal blocks. With screw-cage clamp terminal blocks, there is no need to attach additional hardware such as a spade lug to the wire, or use a fingersafe cover.

To wire the terminal block:

1. Strip the end of the wire.
The recommended length for the stripped end of the wire is 11.0 mm (0.44 in.).
2. Insert it into an open clamp.

- Using a small screwdriver, tighten the terminal screw. To ensure that the wire conductor is secured inside the clamp, tighten it to the rated torque, 0.56 N•m (5.0 lb•in).

The diameter of the terminal screw head is 5.5 mm (0.22 in.).

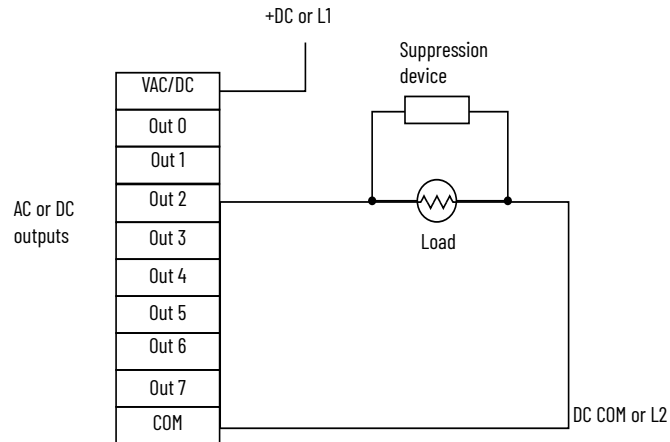


Use Surge Suppressors

Because of the potentially high current surges that occur when switching inductive load devices, such as motor starters and solenoids, the use of some type of surge suppression to protect and extend the operating life of the controller's output contacts is required. Switching inductive loads without surge suppression can significantly reduce the life expectancy of relay contacts. By adding a suppression device directly across the coil of an inductive device, you prolong the life of the output or relay contacts. You also reduce the effects of voltage transients and electrical noise from radiating into adjacent systems.

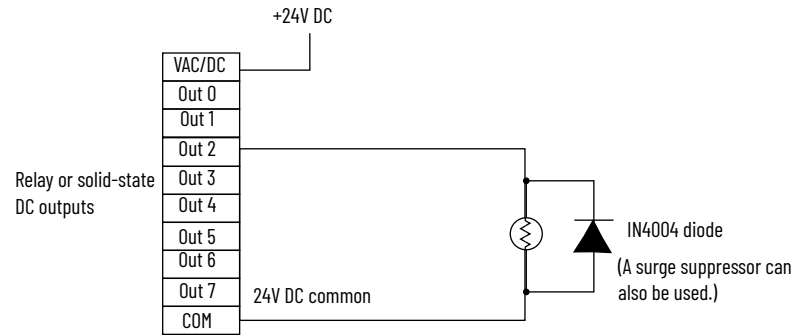
[Figure 13](#) shows an output with a suppression device. We recommend that you locate the suppression device as close as possible to the load device.

Figure 13 - Output with Suppression Device Example



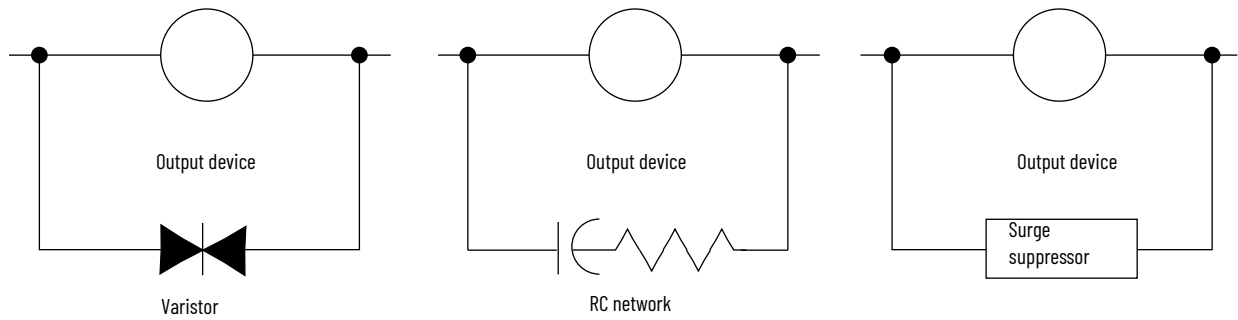
If the outputs are DC, we recommend that you use an 1N4004 diode for surge suppression, as shown in [Figure 14](#). For inductive DC load devices, a diode is suitable. A 1N4004 diode is acceptable for most applications. A surge suppressor can also be used. See [Table 4](#) for recommended suppressors. As shown in [Figure 14](#), these surge suppression circuits connect directly across the load device.

Figure 14 - Relay or Solid-state DC Output with Suppression Device Example



Suitable surge suppression methods for inductive AC load devices include a varistor, an RC network, or an Allen-Bradley surge suppressor, all shown in [Figure 15](#). These components must be appropriately rated to suppress the switching transient characteristic of the particular inductive device. See the table on 32 for recommended suppressors.

Figure 15 - Surge Suppression for Inductive AC Load Devices



Recommended Surge Suppressors

Use the Allen-Bradley surge suppressors shown in [Table 4](#) for use with relays, contactors, and starters.

Table 4 - Recommended Surge Suppressors

Device	Coil Voltage	Suppressor Catalog Number
Bulletin 509 Motor Starter Bulletin 509 Motor Starter	120V AC 240V AC	599-K04 ⁽¹⁾ 599-KA04 ⁽¹⁾
Bulletin 100 Contactor Bulletin 100 Contactor	120V AC 240V AC	199-FSMA1 ⁽²⁾ 199-FSMA2 ⁽²⁾
Bulletin 709 Motor Starter	120V AC	1401-N10 ⁽²⁾
Bulletin 700 Type R, RM Relays	AC coil	None required
Bulletin 700 Type R Relay Bulletin 700 Type RM Relay	12V DC 12V DC	199-FSMA9
Bulletin 700 Type R Relay Bulletin 700 Type RM Relay	24V DC 24V DC	199-FSMA9
Bulletin 700 Type R Relay Bulletin 700 Type RM Relay	48V DC 48V DC	199-FSMA9
Bulletin 700 Type R Relay Bulletin 700 Type RM Relay	115...125V DC 115...125V DC	199-FSMA10
Bulletin 700 Type R Relay Bulletin 700 Type RM Relay	230...250V DC 230...250V DC	199-FSMA11
Bulletin 700 Type N, P, or PK Relay	150V max, AC or DC	700-N24 ⁽²⁾
Miscellaneous electromagnetic devices limited to 35 sealed VA	150V max, AC or DC	700-N24 ⁽²⁾

(1) Varistor - Not recommended for use on relay outputs.

(2) RC Type - Do not use with Triac outputs.

Ground the Controller

In solid-state control systems, grounding and wire routing helps limit the effects of noise due to electromagnetic interference (EMI). Run the ground connection from the ground screw of the controller to the ground bus prior connecting any devices. Use 2.5 mm² (14 AWG) wire. For AC-powered controllers, this connection must be made for safety purposes.



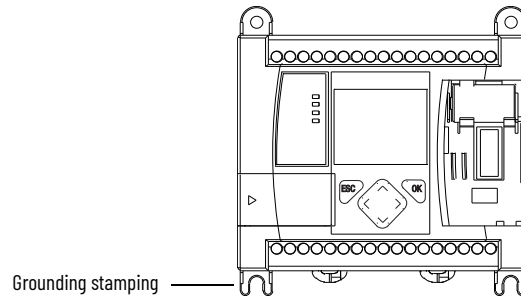
ATTENTION: All devices connected to the RS-232/RS-485 communication port must be referenced to controller ground, or be floating (not referenced to a potential other than ground). Failure to follow this procedure may result in property damage or personal injury.

- For 1763-L16BWA controllers, the COM of the sensor supply is also connected to chassis ground internally. The 24V DC sensor power source should not be used to power output circuits. It should only be used to power input devices.
- For 1763-L16BBB and 1763-L16DWD controllers, the VDC NEUT or common terminal of the power supply is also connected to chassis ground internally.

This product is intended to be mounted to a well grounded mounting surface such as a metal panel. See the Industrial Automation Wiring and Grounding Guidelines, publication [1770-4.1](#), for additional information. Additional grounding connections from the mounting tab or DIN rail, if used, are not required unless the mounting surface cannot be grounded.



Use all four mounting positions for panel mounting installation.



ATTENTION: Remove the protective debris strip before applying power to the controller. Failure to remove the strip may cause the controller to overheat.

Wiring Diagrams

The following illustrations show the wiring diagrams for the MicroLogix 1100 controllers. Controllers with DC inputs can be wired as either sinking or sourcing inputs. Sinking and sourcing does not apply to AC inputs. See [Sinking and Sourcing Wiring Diagrams on page 35](#).

The controller terminal block layouts are shown in [Terminal Block Layouts on page 33](#). The shading on the labels indicates how the terminals are grouped. A detail of the groupings is shown in the table following the terminal block layouts.



This symbol denotes a protective earth ground terminal, which provides a low impedance path between electrical circuits and earth for safety purposes and provides noise immunity improvement. This connection must be made for safety purposes on AC-powered controllers.



This symbol denotes a functional earth ground terminal, which provides a low impedance path between electrical circuits and earth for non-safety purposes, such as noise immunity improvement.

Terminal Block Layouts

Figure 16 - 1763-L16AWA

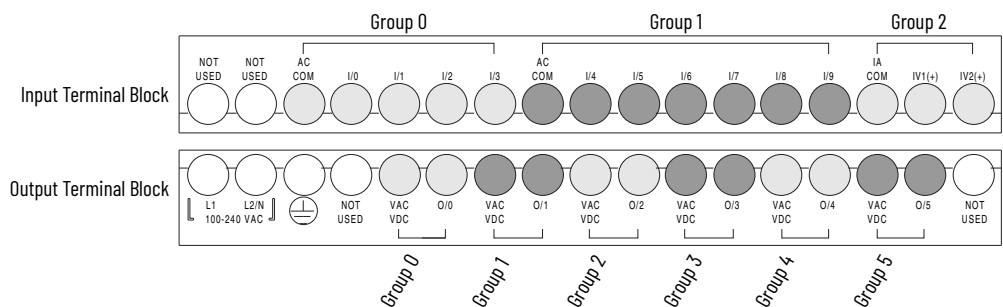
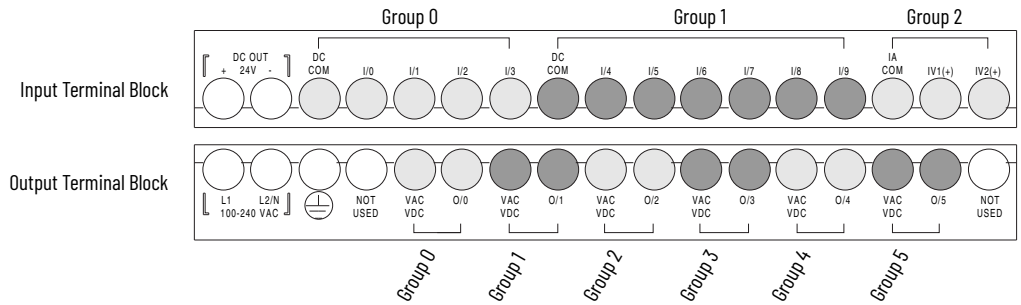


Figure 17 - 1763-L16BWA



ATTENTION: The 24V DC sensor supply of the 1763-L16BWA should not be used to power output circuits. It should only be used to power input devices (for example, sensors, switches). See [Master Control Relay on page 18](#) for information on MCR wiring in output circuits.

Figure 18 - 1763-L16BBB

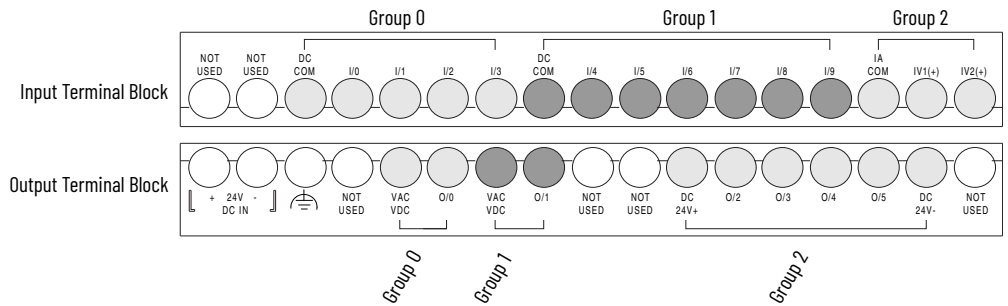
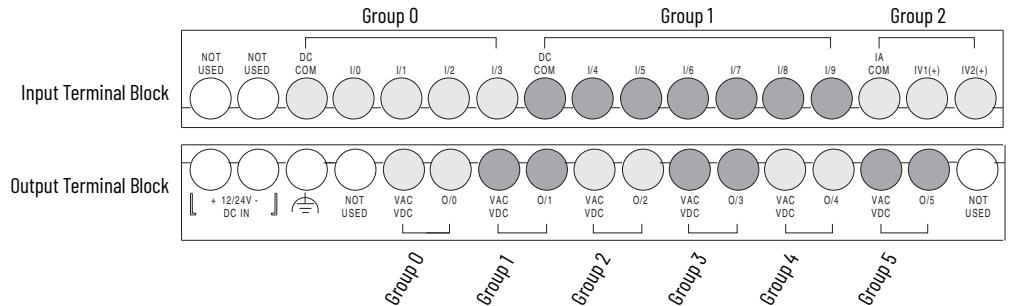


Figure 19 - 1763-L16DWD



Terminal Groupings

Table 5 - Input Terminal Grouping

Controller	Inputs		
	Input Group	Common Terminal	Input Terminal
1763-L16AWA	Group 0	AC COM 0	I/0 through I/3
	Group 1	AC COM 1	I/4 through I/9
	Group 2	IA COM	IV1(+) and IV2(+)
1763-L16BWA	Group 0	DC COM 0	I/0 through I/3
	Group 1	DC COM 1	I/4 through I/9
	Group 2	IA COM	IV1(+) and IV2(+)

Table 5 - Input Terminal Grouping (Continued)

Controller	Inputs		
	Input Group	Common Terminal	Input Terminal
1763-L16BBB 1763-L16DWD	Group 0	DC COM 0	I/0 through I/3
	Group 1	DC COM 1	I/4 through I/9
	Group 2	IA COM	IV1(+) and IV2(+)

Table 6 - Output Terminal Grouping

Controller	Outputs			
	Output Group	Voltage Terminal	Output Terminal	Description
1763-L16AWA 1763-L16BWA 1763-L16DWD	Group 0	VAC/VDC	O/0	Isolated Relay output
	Group 1	VAC/VDC	O/1	Isolated Relay output
	Group 2	VAC/VDC	O/2	Isolated Relay output
	Group 3	VAC/VDC	O/3	Isolated Relay output
	Group 4	VAC/VDC	O/4	Isolated Relay output
	Group 5	VAC/VDC	O/5	Isolated Relay output
1763-L16BBB	Group 0	VAC/VDC	O/0	Isolated Relay output
	Group 1	VAC/VDC	O/1	Isolated Relay output
	Group 2	DC +24V, DC -24V	O/2 through O/5	FET output

Sinking and Sourcing Wiring Diagrams

Any of the MicroLogix 1100 controller DC embedded input groups can be configured as sinking or sourcing depending on how the DC COM is wired on the group.

Type	Definition
Sinking Input	The input energizes when a high-level voltage is applied to the input terminal (active high). Connect the power supply VDC (-) to the input group's COM terminal.
Sourcing Input	The input energizes when a low-level voltage is applied to the input terminal (active low). Connect the power supply VDC (+) to the input group's COM terminal.



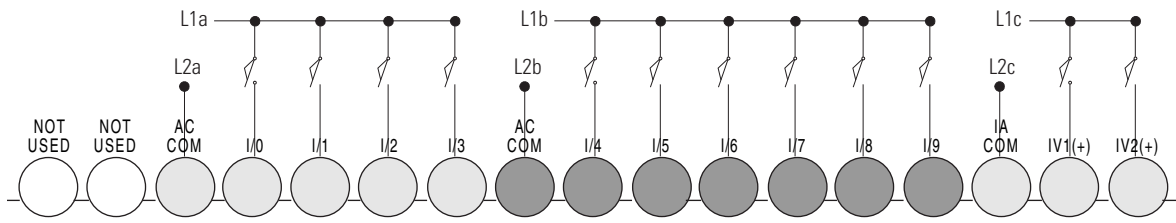
ATTENTION: The 24V DC sensor power source must not be used to power output circuits. It should only be used to power input devices (for example, sensors, switches). See [Master Control Relay on page 16](#) for information on MCR wiring in output circuits.

1763-L16AWA, 1763-L16BWA, 1763-L16BBB, and 1763-L16DWD Wiring Diagrams



In [Figure 20](#) to [Figure 27](#), lower case alphabetic subscripts are appended to common-terminal connections to indicate that different power sources may be used for different isolated groups, if desired.

Figure 20 - 1763-L16AWA Input Wiring Diagram⁽¹⁾



(1) "NOT USED" terminals are not intended for use as connection points.

Figure 21 - 1763-L16BWA Sinking Input Wiring Diagram

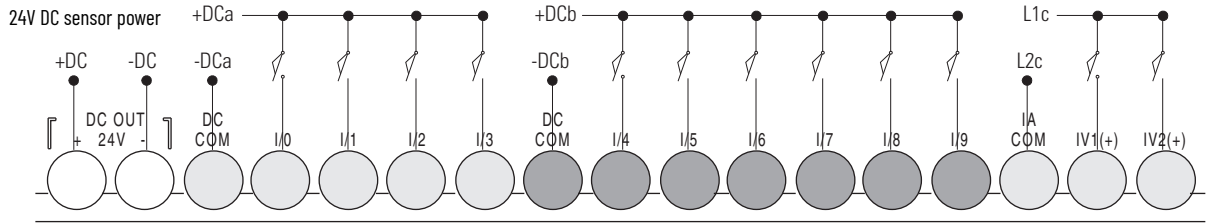


Figure 22 - 1763-L16BWA Sourcing Input Wiring Diagram

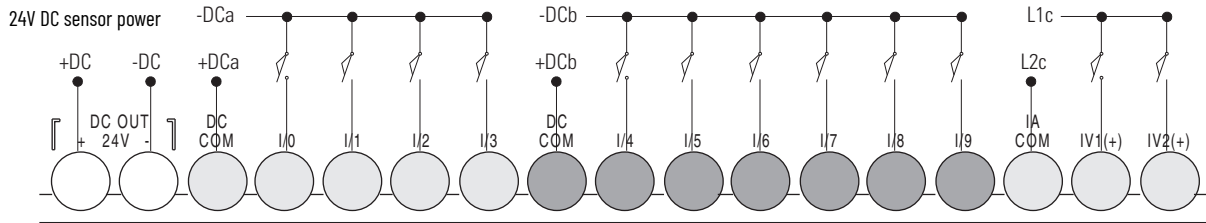


Figure 23 - 1763-L16BBB and 1763-L16DWD Sinking Input Wiring Diagram

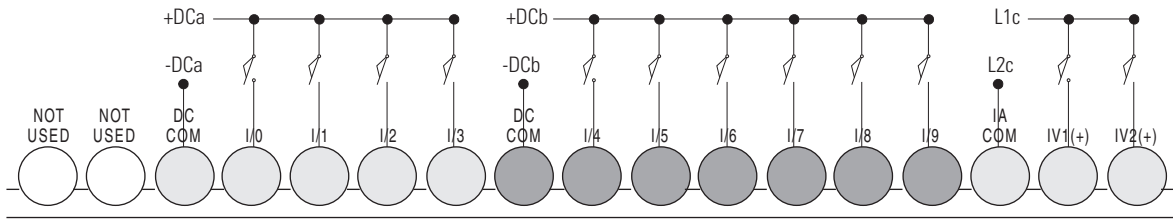


Figure 24 - 1763-L16BBB and 1763-L16DWD Sourcing Input Wiring Diagram

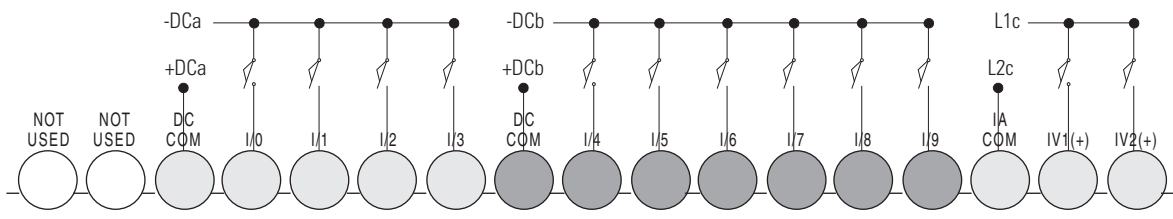


Figure 25 - 1763-L16AWA and 1763-L16BWA Output Wiring Diagram

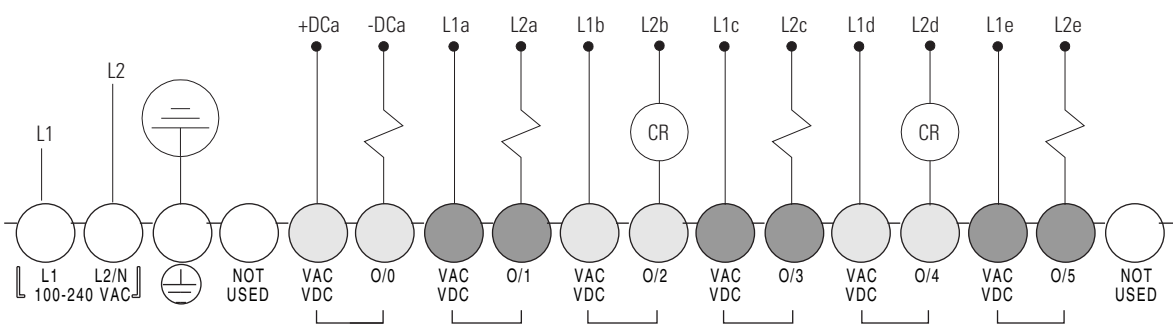


Figure 26 - 1763-L16BBB Output Wiring Diagram

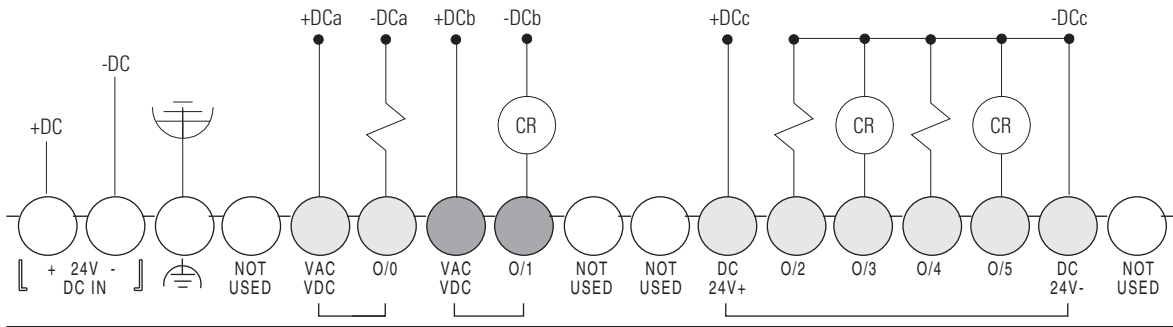
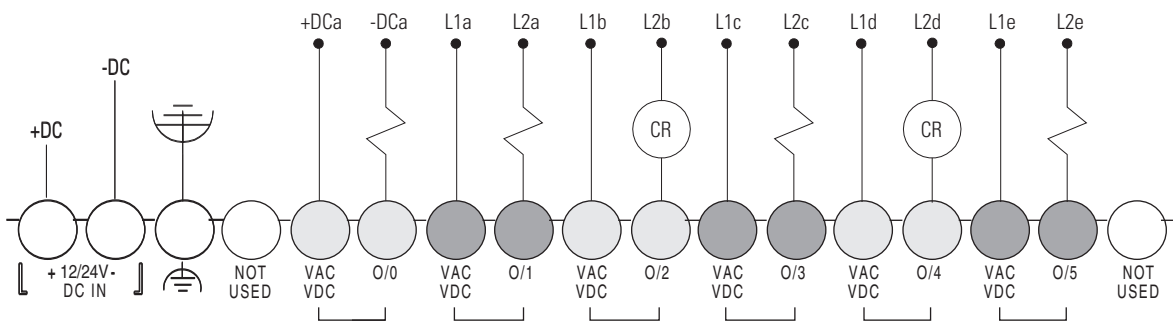


Figure 27 - 1763-L16DWD Output Wiring Diagram



Controller I/O Wiring

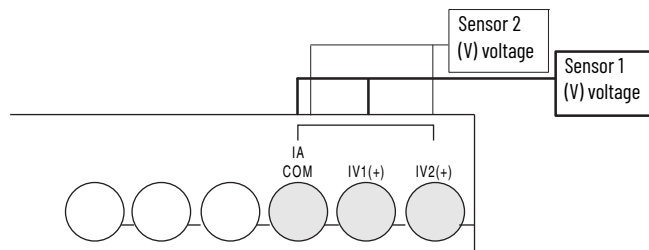
Minimizing Electrical Noise

Because of the variety of applications and environments where controllers are installed and operating, it is impossible to ensure that all environmental noise will be removed by input filters. To help reduce the effects of environmental noise, install the MicroLogix 1100 system in a properly rated (for example, NEMA) enclosure. Make sure that the MicroLogix 1100 system is properly grounded.

A system may malfunction due to a change in the operating environment after a period of time. We recommend periodically checking system operation, particularly when new machinery or other noise sources are installed near the MicroLogix 1100 system.

Wire Your Analog Channels

Analog input circuits can monitor voltage signals and convert them to serial digital data.



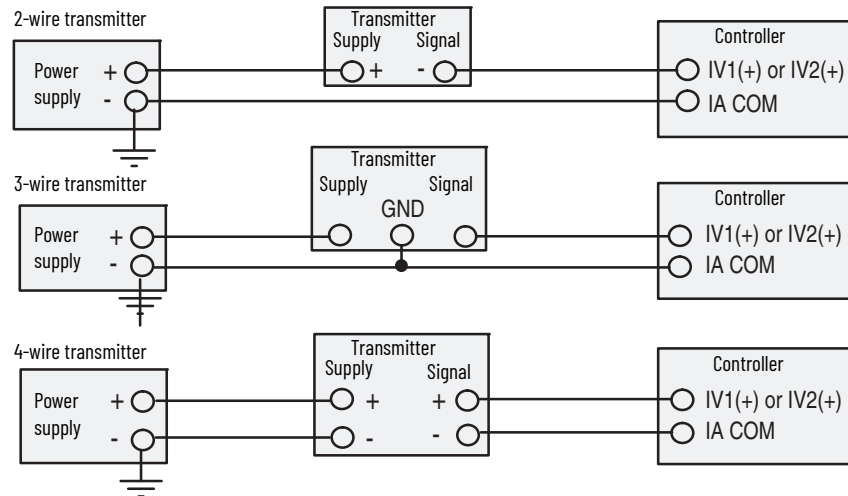
Analog Channel Wiring Guidelines

Consider the following when wiring your analog channels:

- The analog common (COM) is connected to earth ground inside the module. These terminals are not electrically isolated from the system. They are connected to chassis ground.
- Analog channels are not isolated from each other.

- Use Belden 8761, or equivalent, shielded wire.
- Under normal conditions, the drain wire (shield) should be connected to the metal mounting panel (earth ground). Keep the shield connection to earth ground as short as possible.
- To ensure optimum accuracy for voltage-type inputs, limit overall cable impedance by keeping all analog cables as short as possible. Locate the I/O system as close to your voltage-type sensors or actuators as possible.
- The controller does not provide loop power for analog inputs. Use a power supply that matches the transmitter specifications as shown in [Figure 28](#).

Figure 28 - Sensor/Transmitter Types



Minimize Electrical Noise on Analog Channels

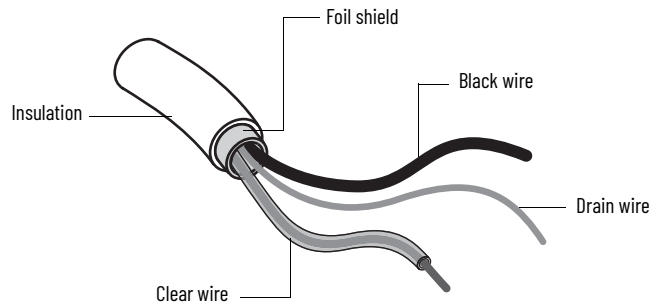
Inputs on analog channels employ digital high-frequency filters that significantly reduce the effects of electrical noise on input signals. However, because of the variety of applications and environments where analog controllers are installed and operated, it is impossible to ensure that all environmental noise will be removed by the input filters.

Several specific steps can be taken to help reduce the effects of environmental noise on analog signals:

- Install the MicroLogix 1100 system in a properly rated (for example, NEMA) enclosure. Make sure that the MicroLogix 1100 system is properly grounded.
- Use Belden cable #8761 for wiring the analog channels, making sure that the drain wire and foil shield are properly earth grounded.
- Route the Belden cable separately from any AC wiring. Additional noise immunity can be obtained by routing the cables in a grounded conduit.

Ground Your Analog Cable

Use a shielded communication cable (Belden #8761). The Belden cable has two signal wires (black and clear), one drain wire, and a foil shield. The drain wire and foil shield must be grounded at one end of the cable.



IMPORTANT Do not ground the drain wire and foil shield at both ends of the cable.

Expansion I/O Wiring

Digital Wiring Diagrams

Figure 29 to Figure 41 show the digital expansion I/O wiring diagrams.

Figure 29 - 1762-IA8 Wiring Diagram

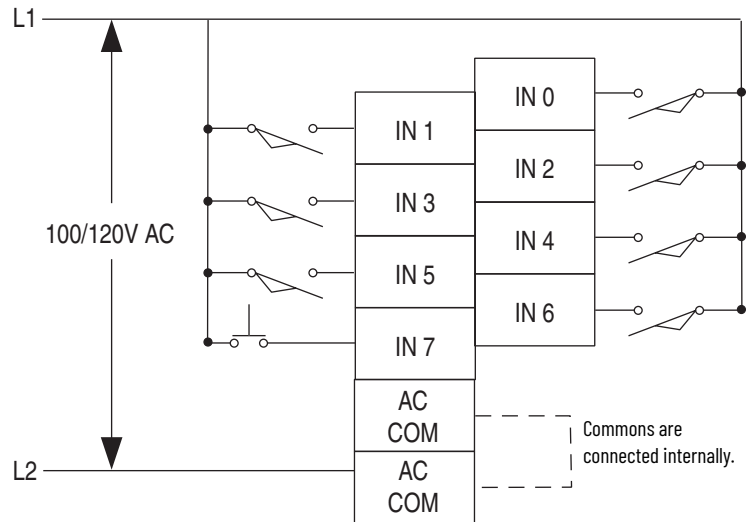


Figure 30 - 1762-IQ8 Wiring Diagram

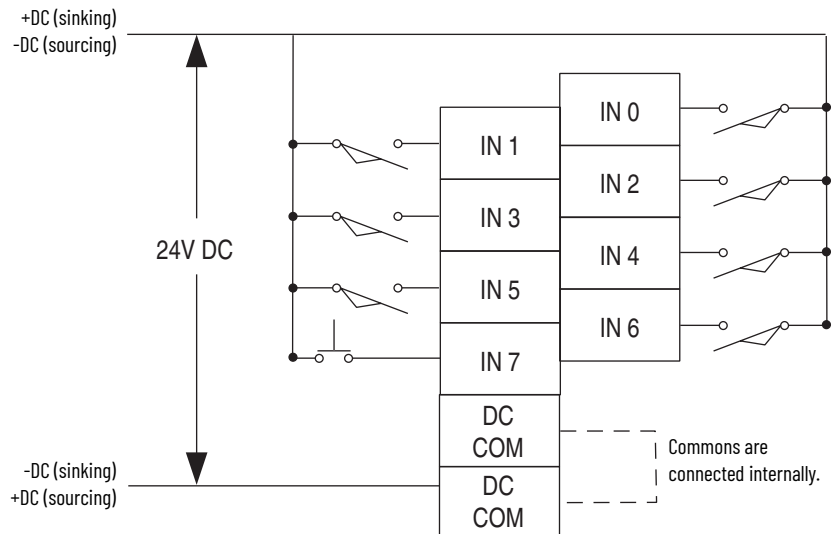


Figure 31 - 1762-IQ16 Wiring Diagram

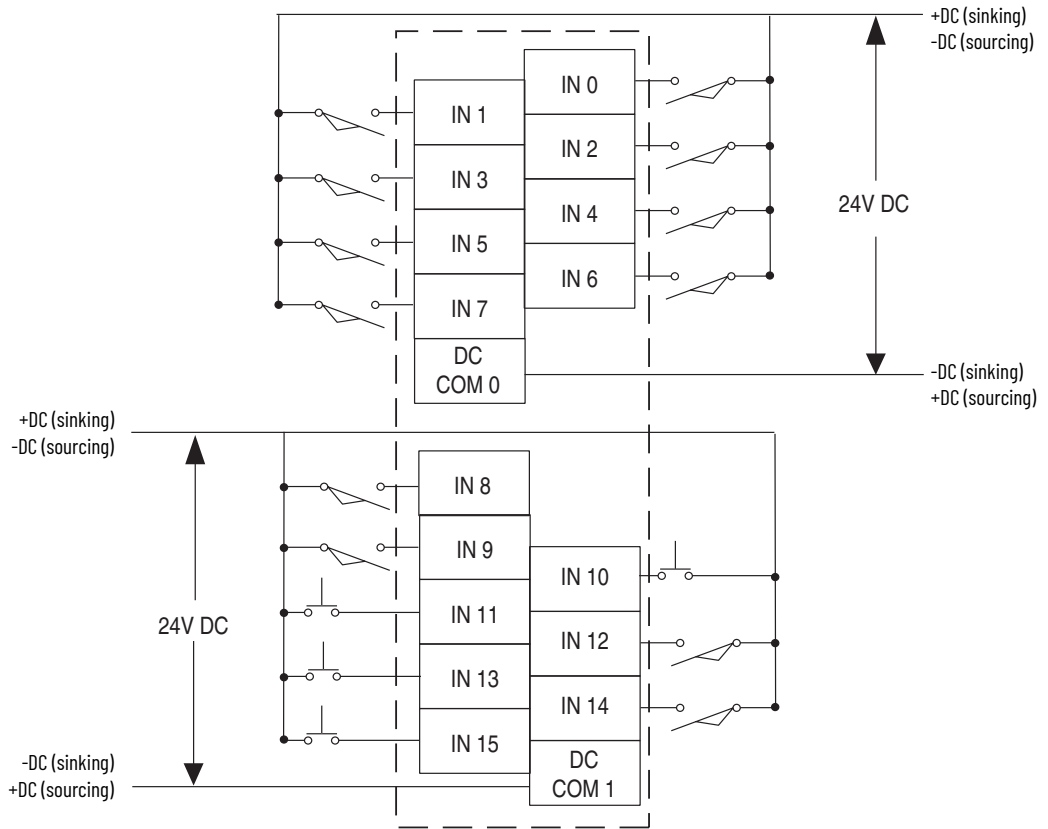


Figure 32 - 1762-IQ32T Wiring Diagram

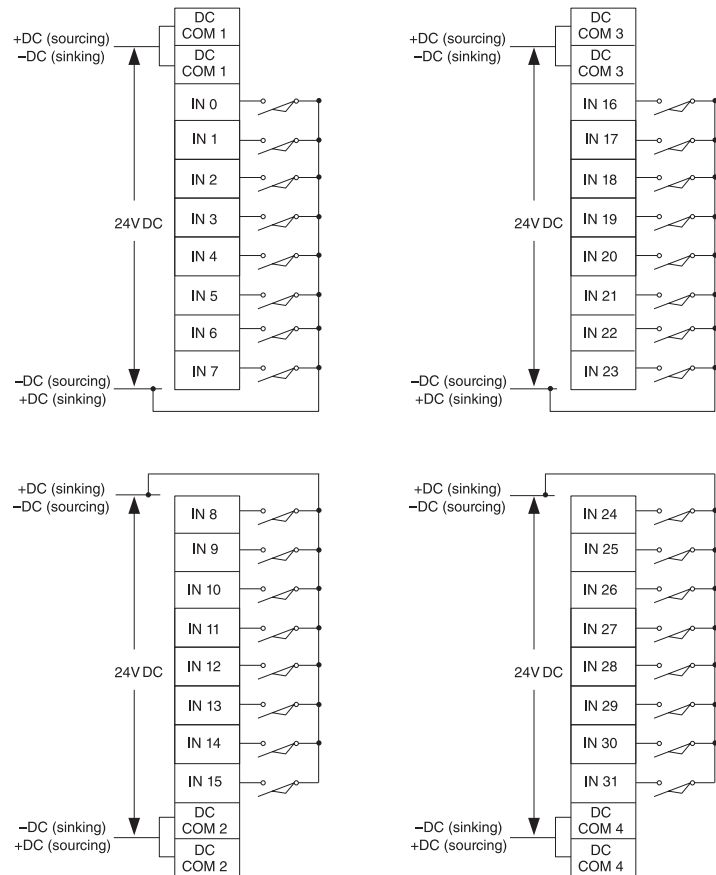


Figure 33 - 1762-OA8 Wiring Diagram

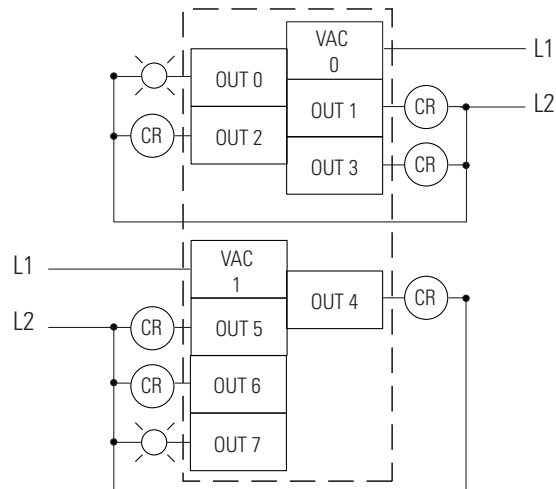


Figure 34 - 1762-OB8 Wiring Diagram

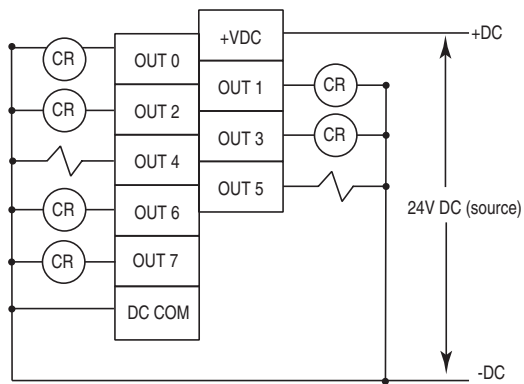


Figure 35 - 1762-OB16 Wiring Diagram

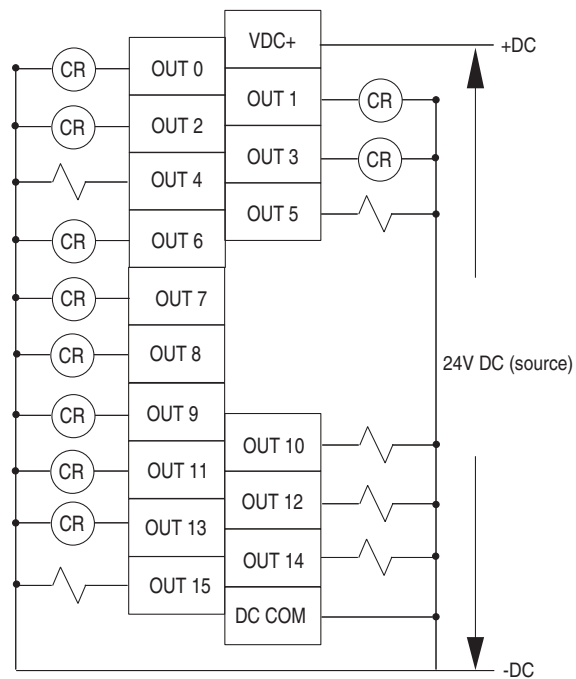


Figure 36 - 1762-OB32T Wiring Diagram

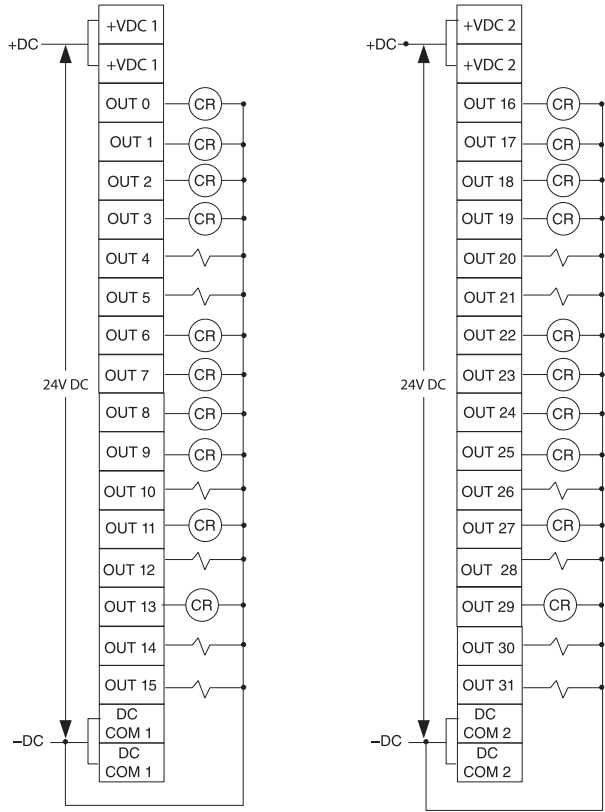


Figure 37 - 1762-OV32T Wiring Diagram

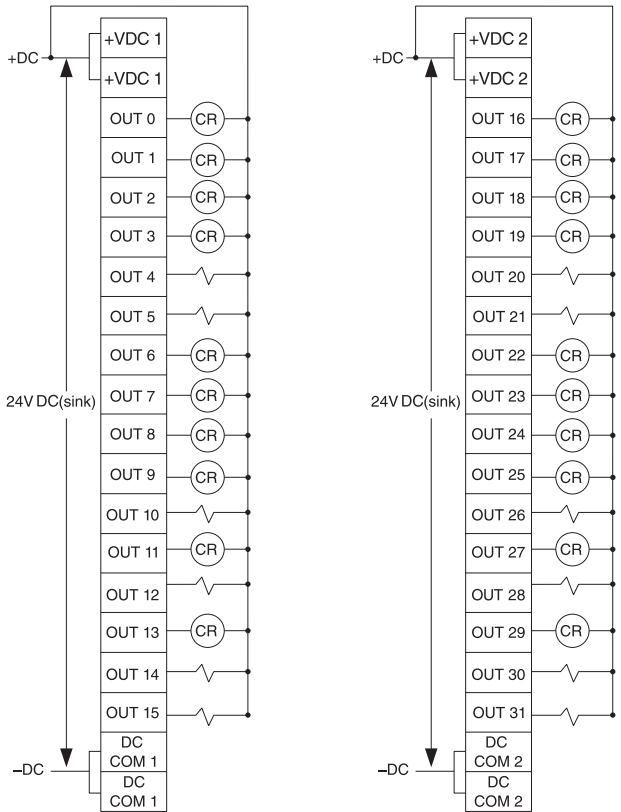


Figure 38 - 1762-OW8 Wiring Diagram

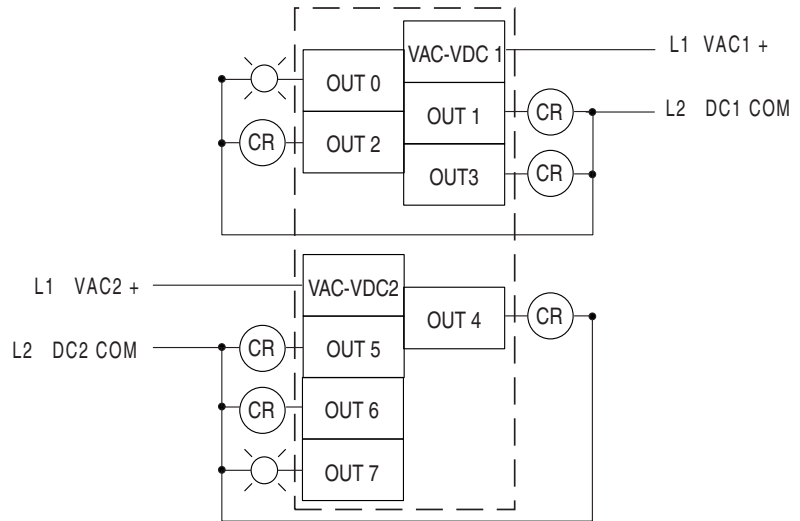


Figure 39 - 1762-OW16 Wiring Diagram

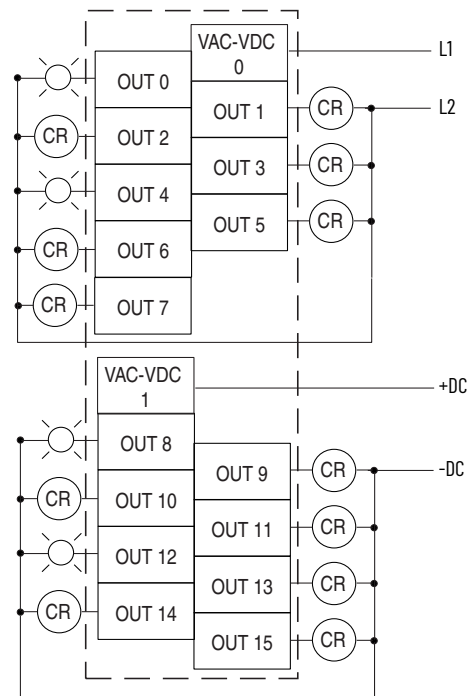


Figure 40 - 1762-OX6I Wiring Diagram

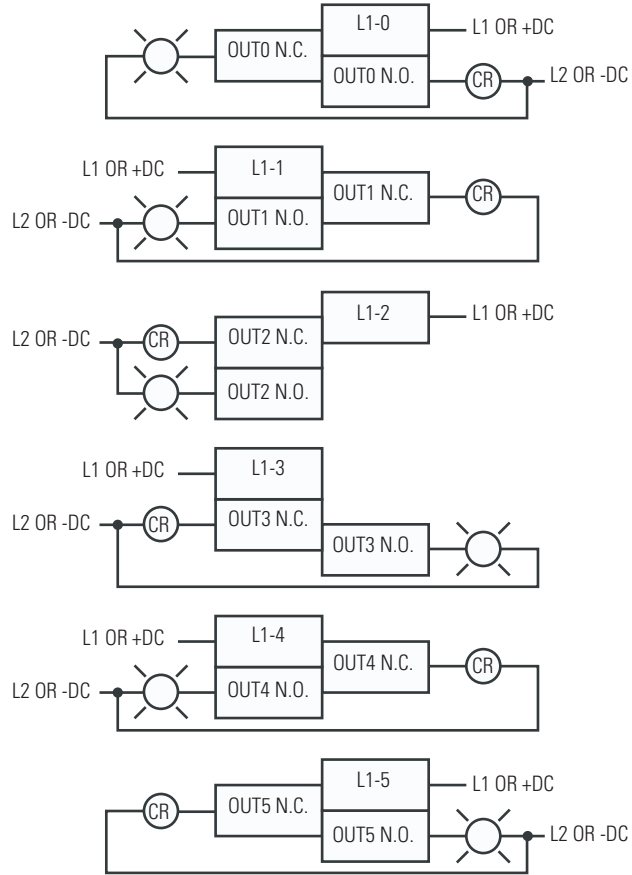
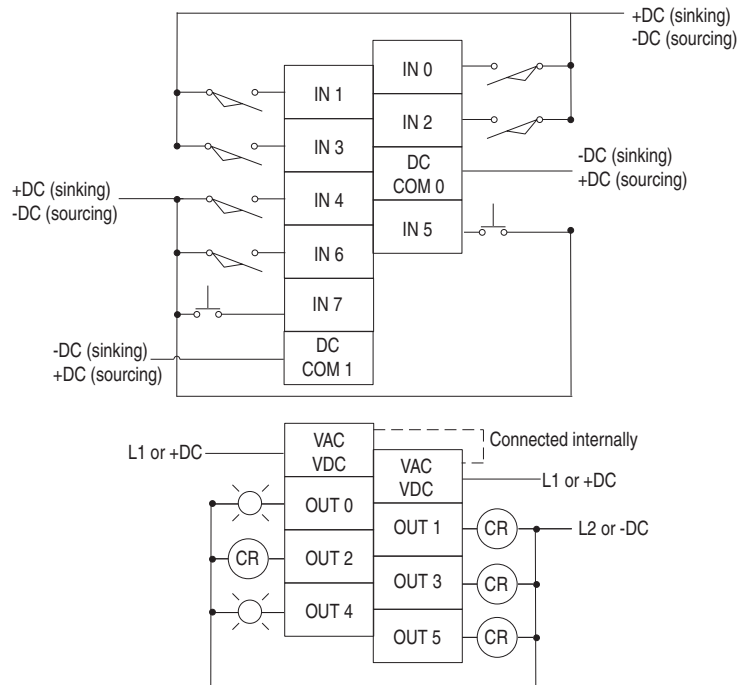


Figure 41 - 1762-IQ80W6 Wiring Diagram



Analog Wiring

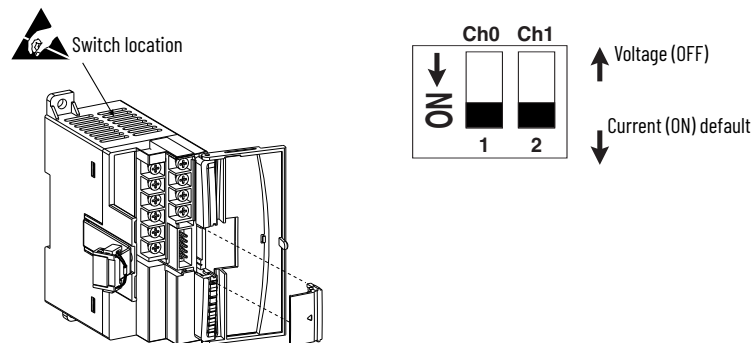
Consider the following when wiring your analog modules:

- The analog common (COM) is not connected to earth ground inside the module. All terminals are electrically isolated from the system.
- Channels are not isolated from each other.
- Use Belden 8761, or equivalent, shielded wire.
- Under normal conditions, the drain wire (shield) should be connected to the metal mounting panel (earth ground). Keep the shield connection to earth ground as short as possible.
- To ensure optimum accuracy for voltage-type inputs, limit overall cable impedance by keeping all analog cables as short as possible. Locate the I/O system as close to your voltage-type sensors or actuators as possible.
- The module does not provide loop power for analog inputs. Use a power supply that matches the input transmitter specifications.

1762-IF20F2 Input Type Selection

Select the input type, current or voltage, using the switches on the module's circuit board *and* the input type/range selection bits in the Configuration Data File. See the MicroLogix 1100 Programmable Controllers Instruction Set Reference Manual, publication [1763-RM001](#). You can access the switches through the ventilation slots on the top of the module. Switch 1 controls channel 0; switch 2 controls channel 1. The factory default setting for both switch 1 and switch 2 is Current. Switch positions are shown in [Figure 42](#).

Figure 42 - Select Input Type with the Switches



1762-IF20F2 Output Type Selection

The output type selection, current or voltage, is made by wiring to the appropriate terminals, Iout or Vout, *and* by the type/range selection bits in the Configuration Data File. See the MicroLogix 1100 Programmable Controllers Instruction Set Reference Manual, publication [1763-RM001](#).



ATTENTION: Analog outputs may fluctuate for less than a second when power is applied or removed. This characteristic is common to most analog outputs. While the majority of loads will not recognize this short signal, it is recommended that preventive measures be taken to ensure that connected equipment is not affected.

1762-IF20F2 Wiring

Figure 43 shows the 1762-IF20F2 analog expansion I/O terminal block.

Figure 43 - 1762-IF20F2 Terminal Block Layout

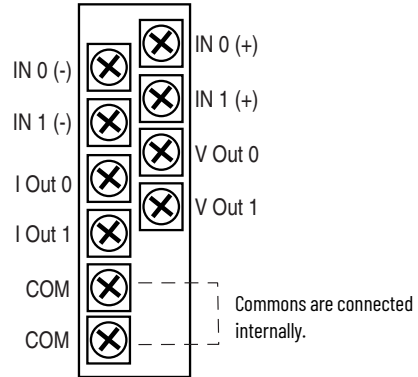


Figure 44 - Differential Sensor Transmitter Types

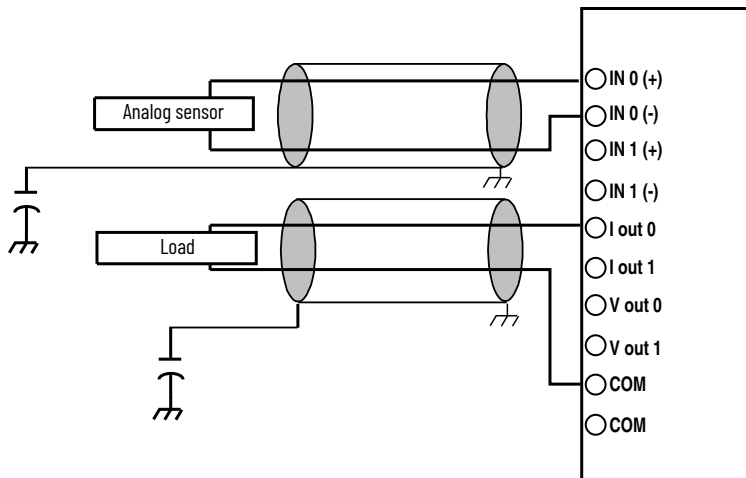
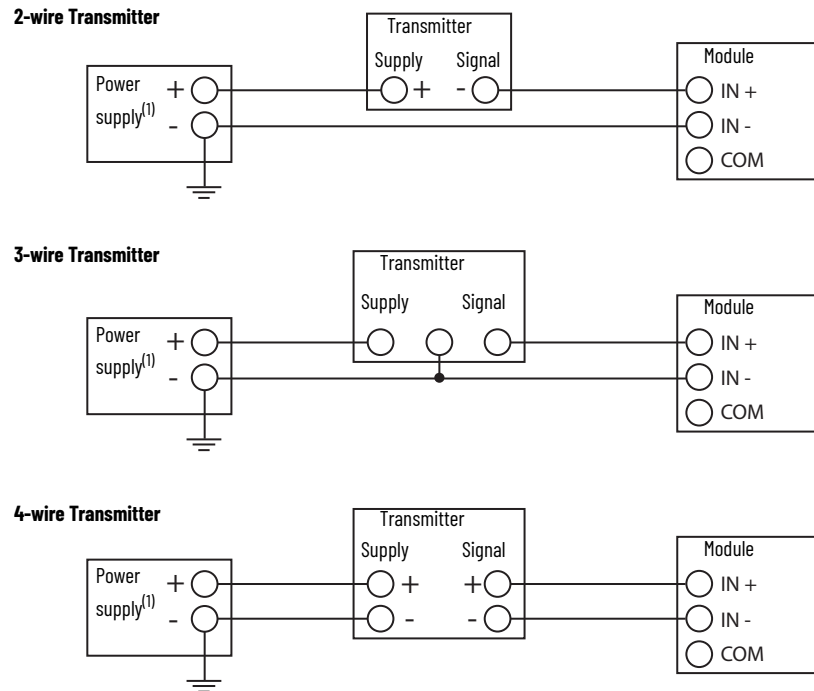


Figure 45 - Single-ended Sensor/Transmitter Types



(1) All power supplies rated N.E.C. Class 2

1762-IF4 Input Type Selection

Select the input type, current or voltage, using the switches on the module's circuit board *and* the input type/range selection bits in the Configuration Data File. See the MicroLogix 1100 Programmable Controllers Instruction Set Reference Manual, publication [1763-RM001](#). You can access the switches through the ventilation slots on the top of the module.

Figure 46 - 1762-IF4 Switch Positions

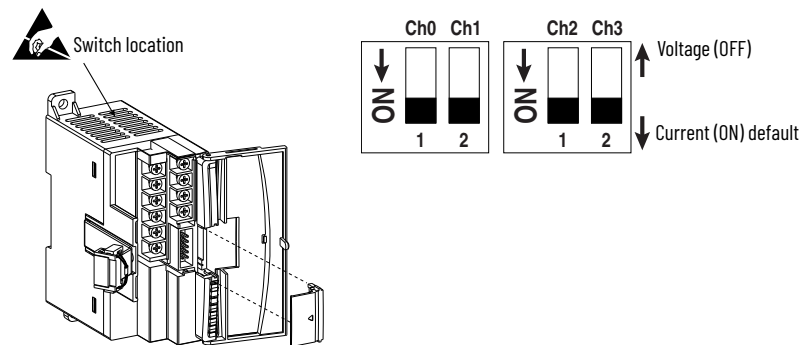


Figure 47 - 1762-IF4 Terminal Block Layout

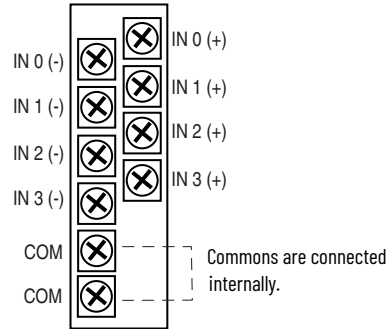
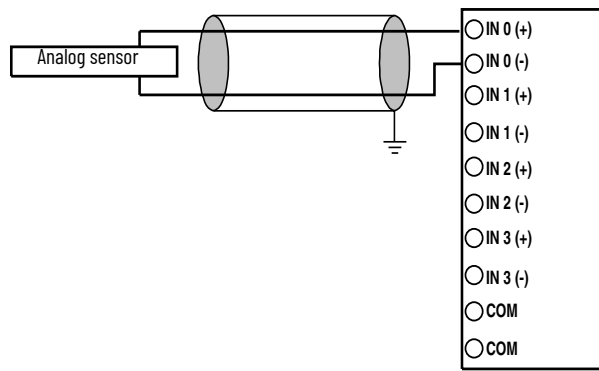
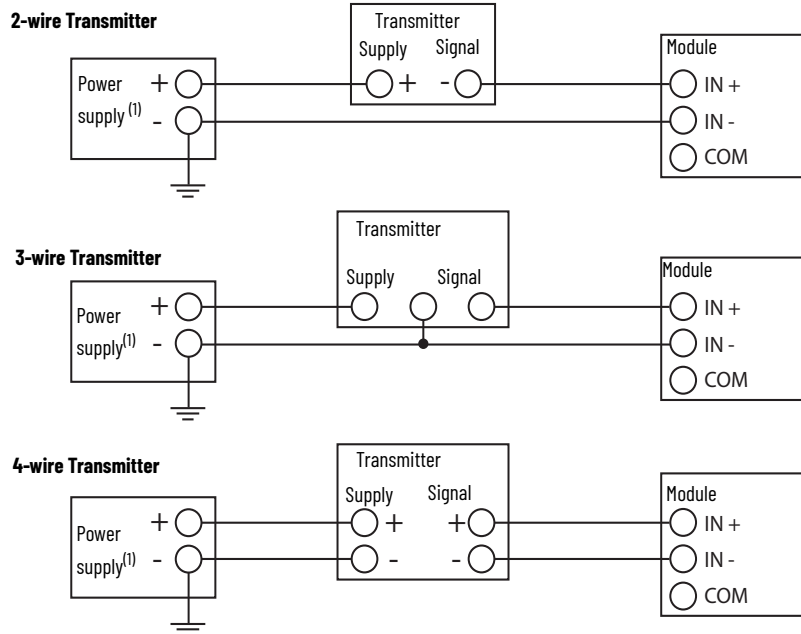


Figure 48 - Differential Sensor Transmitter Types



Grounding the cable shield at the module end only usually provides sufficient noise immunity. However, for best cable shield performance, earth ground the shield at both ends, using a 0.01 μF capacitor at one end to block AC power ground currents, if necessary.

Figure 49 - Sensor/Transmitter Types



(1) All power supplies rated N.E.C. Class 2

1762-0F4 Output Type Selection

The output type selection, current or voltage, is made by wiring to the appropriate terminals, I out or V out, and by the type/range selection bits in the Configuration Data File.

Figure 50 - 1762-0F4 Terminal Block Layout

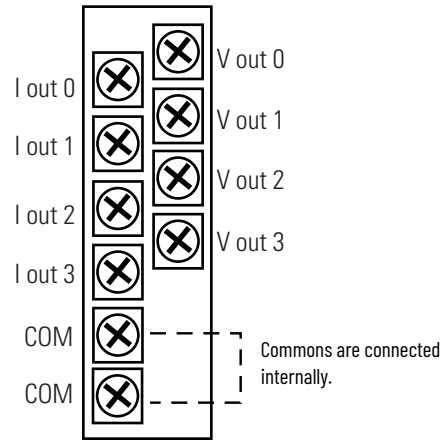
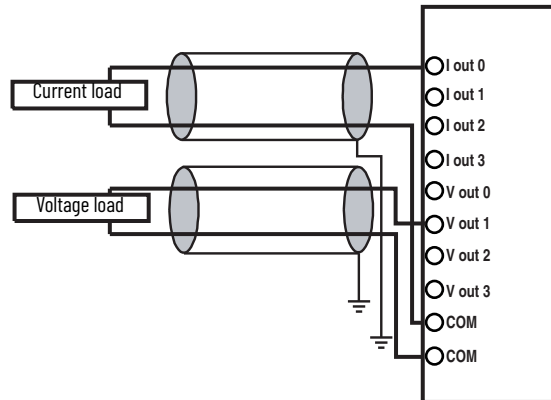


Figure 51 - 1762-0F4 Wiring



Notes:

Communication Connections

The method that you use and cabling that is required to connect your controller depends on what type of system you are employing. This chapter also describes how the controller establishes communication with the appropriate network.

The MicroLogix 1100 controllers provide two communication channels, an isolated RS-232/RS-485 communication port (Channel 0) and an Ethernet port (Channel 1).

Supported Communication Protocols

MicroLogix 1100 controllers support the following communication protocols from the primary RS-232/RS-485 communication channel, Channel 0:

- DH-485
- DF1 Full-duplex
- DF1 Half-duplex master and slave
- DF1 Radio modem
- Modbus RTU master and slave
- ASCII

The Ethernet communication channel, Channel 1, allows your controller to be connected to a local area network for various devices providing 10 Mbps/100 Mbps transfer rate. MicroLogix 1100 controllers support CIP explicit messaging (message exchange). MicroLogix 1100 controllers do not support Ethernet I/O master capability through CIP implicit messaging (real-time I/O messaging).

For more information on MicroLogix 1100 communications, see the MicroLogix 1100 Programmable Controllers Instruction Set Reference Manual, publication [1763-RM001](#).

Default Communication Configuration

The MicroLogix 1100 communication Channel 0 has the following default communication configuration.



For Channel 0, the default configuration is present when:

- The controller is powered-up for the first time.
- The Communications Toggle functionality specifies default communications (Specified using the LCD Display. The DCOMM indicator on the LCD Display is On, that is, lit in solid rectangle.).
- An OS upgrade is completed.

See [Use the LCD and Keypad on page 71](#) for more information about using the LCD Display.

See [Connect to Networks via Ethernet Interface on page 155](#) for more information on communicating.

Table 7 - DF1 Full-duplex Default Configuration Parameters

Parameter	Default
Baud Rate	19.2 KBps
Parity	None
Source ID (Node Address)	1
Control Line	No handshaking
Error Detection	CRC
Embedded Responses	Auto detect
Duplicate Packet (Message) Detect	Enabled
ACK Timeout	50 counts

Table 7 - DF1 Full-duplex Default Configuration Parameters (Continued)

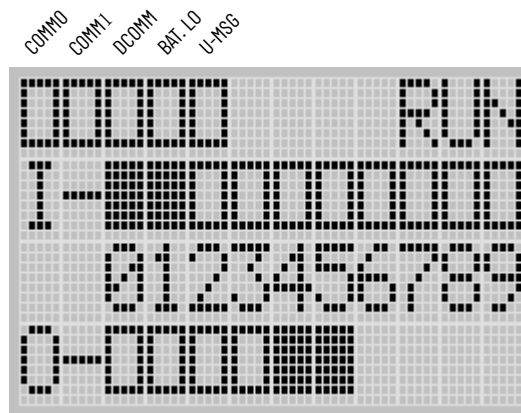
Parameter	Default
NAK retries	3 retries
ENQ retries	3 retries
Stop Bits	1
Data Bits	8

Use the Communications Toggle Functionality

The Communications Toggle functionality can be operated using the LCD display on the controller, as shown in [Figure 52](#).

Use the Communications Toggle functionality to change from the user-defined communication configuration to the default communications mode and back on Channel 0. The Default Communications (DCOMM) indicator on the LCD display operates to show when the controller is in the default communications mode (settings are shown in [Table 7](#)).

Figure 52 - DCOMM Indicator on LCD Display



The Communications Toggle functionality only affects the communication configuration of Channel 0.

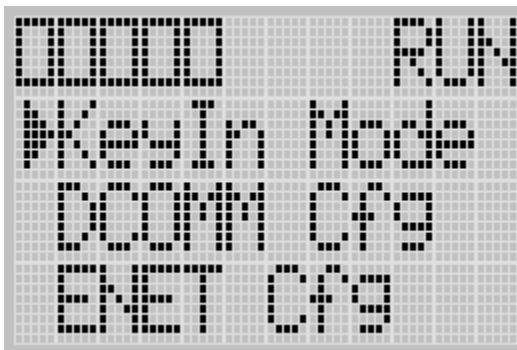
Change Communication Configuration

Follow this procedure to change from the user-defined communication configuration to the default communications mode and back. In this example, we start from the Main Menu screen of the LCD display. If necessary, press ESC repeatedly until you return to the Main Menu screen.

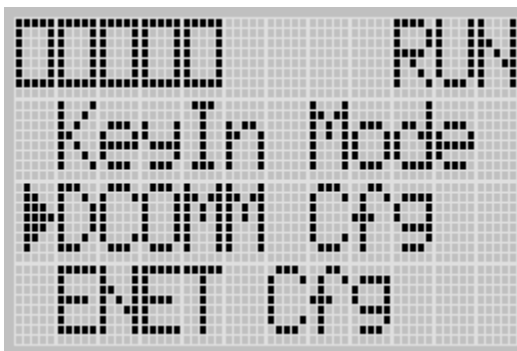
1. On the Main Menu screen, select Advance Set by using the Up and Down keys on the LCD keypad. If the menu items are not displayed on the Main Menu screen, scroll down the screen by pressing the Down key.



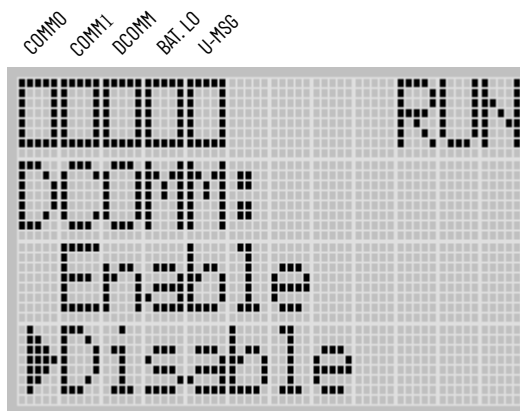
- Press OK on the LCD keypad. The Advanced Settings Menu screen is displayed.



- Select DCOMM Cfg using the Up and Down keys, then press OK.

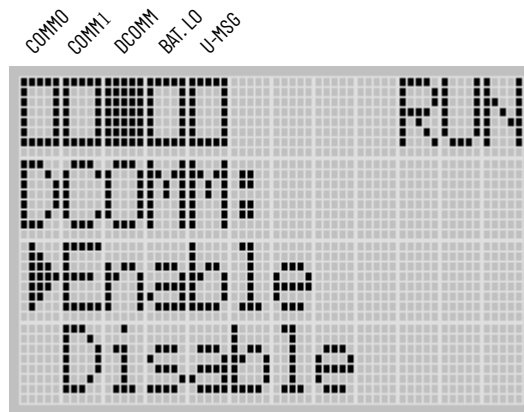


- The DCOMM Configuration screen displays. The current status, Disable in this example, is selected by default.

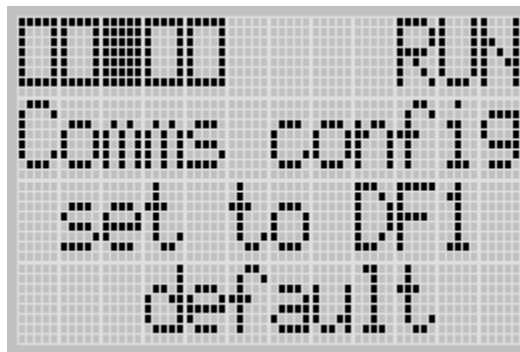


The DCOMM status indicator, which is the third of the five indicators at the top left of the LED display, is displayed as an empty rectangle. It means that the communication configuration is set to a user-defined communication mode.

- Use the up arrow to change the indicator position so that it points to Enable. Press OK to change to the default communication mode.



The DCOMM Mode Change Notification screen displays. It indicates that the communication configuration is changed to the default communication mode. The DCOMM status indicator displays as a solid rectangle.



If you change to the user-defined configuration from the default configuration mode by selecting Disable and pressing OK, the DCOMM Mode Change Notification displays.



- Press ESC to return to the Advanced Settings Menu screen, as shown in [step 3](#).

Connect to the RS-232 Port

There are two ways to connect the MicroLogix 1100 programmable controller to your computer using the DF1 protocol: using a point-to-point connection or using a modem. Descriptions of these methods follow.



ATTENTION: All devices connected to the RS-232/RS-485 communication port must be referenced to controller ground, or be floating (not referenced to a potential other than ground). Failure to follow this procedure may result in property damage or personal injury.

- For 1763-L16BWA controllers, the COM of the sensor supply is also connected to chassis ground internally. The 24V DC sensor power source should not be used to power output circuits. It should only be used to power input devices.
- For 1763-L16BBB and 1763-L16DWD controllers, the VDC NEUT or common terminal of the power supply is also connected to chassis ground internally.

Table 8 - Available Communication Cables

Communication Cables	Length
1761-CBL-AM00, series C or later cables are required for Class I Div 2 applications	45 cm (17.7 in.)
1761-CBL-AP00, series C or later cables are required for Class I Div 2 applications	45 cm (17.7 in.)
1761-CBL-PM02, series C or later cables are required for Class I Div 2 applications	2 m (6.5 ft.)
1761-CBL-HM02, series C or later cables are required for Class I Div 2 applications	2 m (6.5 ft.)
1761-CBL-PH02, series A or later cables are required for Class I Div 2 applications	2 m (6.5 ft.)
1761-CBL-AH02, series A or later cables are required for Class I Div 2 applications	2 m (6.5 ft.)
2707-NC9, series C or later cables are required for Class I Div 2 applications	15 m (49.2 ft.)
1763-NC01, series A or later	30 cm (11.8 in.)



ATTENTION: UNSUPPORTED CONNECTION

Do not connect a MicroLogix 1100 controller to another MicroLogix family controller such as MicroLogix 1000, MicroLogix 1200, MicroLogix 1500, or to the 1747-DPS1 network port using a 1761-CBL-AM00 (8-pin mini-DIN to 8-pin mini-DIN) cable or equivalent.

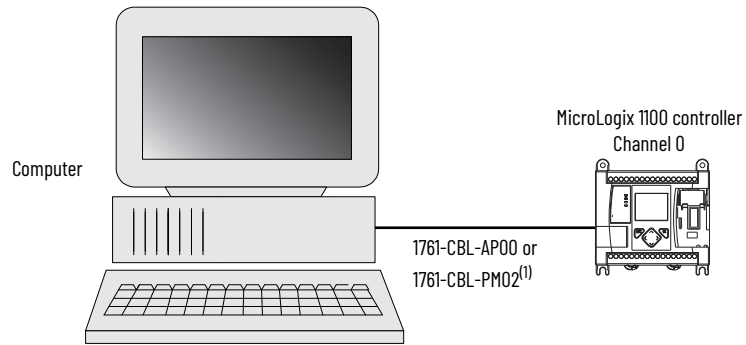
This type of connection causes damage to the RS-232/RS-485 communication port (Channel 0) of the MicroLogix 1100 controller and/or the controller itself. Communication pins that are used for RS-485 communications are alternately used for 24V power on the other MicroLogix controllers and the 1747-DPS1 network port.

Make a DF1 Point-to-point Connection

You can connect the MicroLogix 1100 programmable controller to your computer using a serial cable (1761-CBL-PM02) from your computer's serial port to the controller's Channel 0. The recommended protocol for this configuration is DF1 Full-duplex.

You can connect a MicroLogix 1100 controller to your computer directly without using an external optical isolator, such as Advanced Interface Converter (AIC+), catalog number 1761-NET-AIC, as shown in [Figure 53](#), because Channel 0 is isolated within the controller.

Figure 53 - Point-to-point Connection



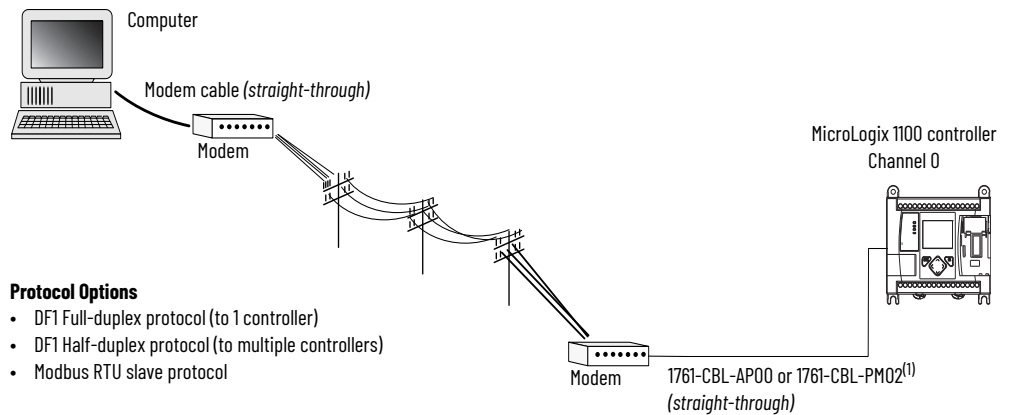
(1) Series C or later cables are required for Class I Division 2 applications.

Use a Modem

You can use modems to connect a computer to one MicroLogix 1100 controller (using DF1 Full-duplex protocol), to multiple controllers (using DF1 Half-duplex protocol), or Modbus RTU slave protocol via Channel 0, as shown in [Figure 54](#). See [Connect to Networks via RS-232/RS-485 Interface on page 145](#) for information on the types of modems that you can use with the micro controllers.

IMPORTANT Do not attempt to use the DH-485 protocol through modems under any circumstance. The communication timing using the DH-485 protocol is not supported by modem communications.

Figure 54 - Modem Connection



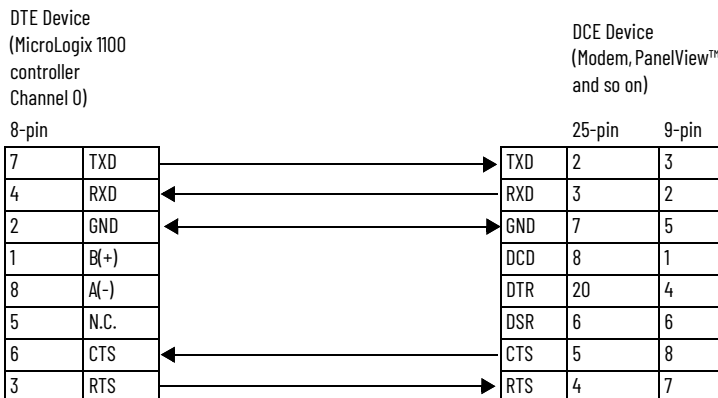
- Protocol Options**
- DF1 Full-duplex protocol (to 1 controller)
 - DF1 Half-duplex protocol (to multiple controllers)
 - Modbus RTU slave protocol

(1) Series C or later cables are required for Class I Division 2 applications.

You can connect a MicroLogix 1100 controller to your modem directly without using an external optical isolator, such as AIC+, catalog number 1761-NET-AIC, as shown in [Figure 54](#), because Channel 0 is isolated within the controller.

MicroLogix 1100 Channel 0 to Modem Cable Pinout

When connecting the MicroLogix 1100 controller Channel 0 to a modem using an RS-232 cable, the maximum that the cable length may be extended is 15.24 m (50 ft.).



ATTENTION: Do not connect pin 1, 8, and 5. This connection causes damage to the RS-232/RS-485 communication port (channel 0) of the MicroLogix 1100 controller and/or the controller itself.

Connect to a DF1 Half-duplex Network

Table 9 shows available parameters for a communication port that is configured for DF1 Half-duplex slave.

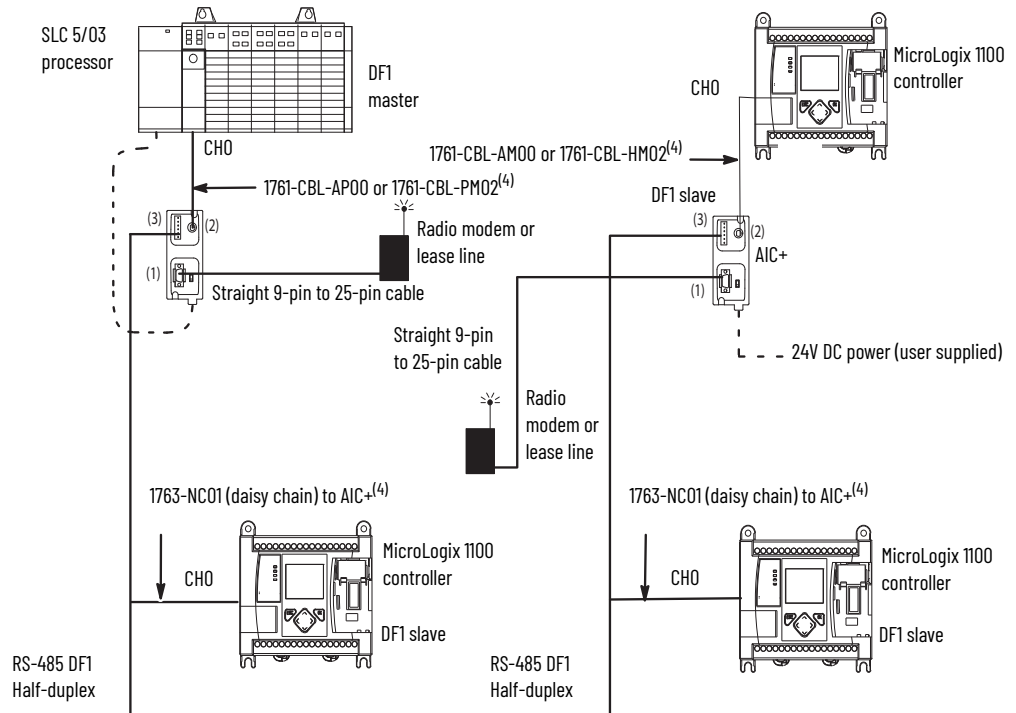
Table 9 - DF1 Half-duplex Configuration Parameters

Parameter	Options
Baud Rate	300, 600, 1200, 2400, 4800, 9600, 19.2 Kbps, 38.4 Kbps
Parity	None, even
Node Address	0...254 decimal
Control Line	No handshaking, half-duplex modem (RTS/CTS handshaking, no handshaking (485 network))
Error Detection	CRC, BCC
EOT Suppression	Enabled, disabled When EOT Suppression is enabled, the slave does not respond when polled if no message is queued. This saves modem transmission power and time when there is no message to transmit.
Duplicate Packet (Message) Detect	Enabled, disabled Detects and eliminates duplicate responses to a message. Duplicate packets may be sent under noisy communication conditions if the sender's Message Retries are not set to 0.
Poll Timeout (x20 ms)	0...65,535 (can be set in 20 ms increments) Poll Timeout only applies when a slave device initiates a MSG instruction. It is the amount of time that the slave device waits for a poll from the master device. If the slave device does not receive a poll within the Poll Timeout, a MSG instruction error is generated, and the ladder program must requeue the MSG instruction. If you are using a MSG instruction, it is recommended that a Poll Timeout value of zero not be used. Poll Timeout is disabled when set to zero.
RTS Off Delay (x20 ms)	0...65,535 (can be set in 20 ms increments) Specifies the delay time between when the last serial character is sent to the modem and when RTS is deactivated. Gives the modem extra time to transmit the last character of a packet.
RTS Send Delay (x20 ms)	0...65,535 (can be set in 20 ms increments) Specifies the time delay between setting RTS until checking for the CTS response. For use with modems that are not ready to respond with CTS immediately upon receipt of RTS.
Message Retries	0...255 Specifies the number of times a slave device attempts to resend a message packet when it does not receive an ACK from the master device. For use in noisy environments where message packets may become corrupted in transmission.
Pre Transmit Delay (x1 ms)	0...65,535 (can be set in 1 ms increments) When the Control Line is set to no handshaking, this is the delay time before transmission. Required for 1761-NET-AIC physical half-duplex networks. The 1761-NET-AIC needs a delay time to change from transmit to receive mode. When the Control Line is set to DF1 Half-duplex Modem, this is the minimum time delay between receiving the last character of a packet and the RTS assertion.

DF1 Half-duplex Master/Slave Network

Use [Figure 55](#) for DF1 Half-duplex master/slave protocol without hardware handshaking.

Figure 55 - DF1 Half-duplex Master/Slave Protocol

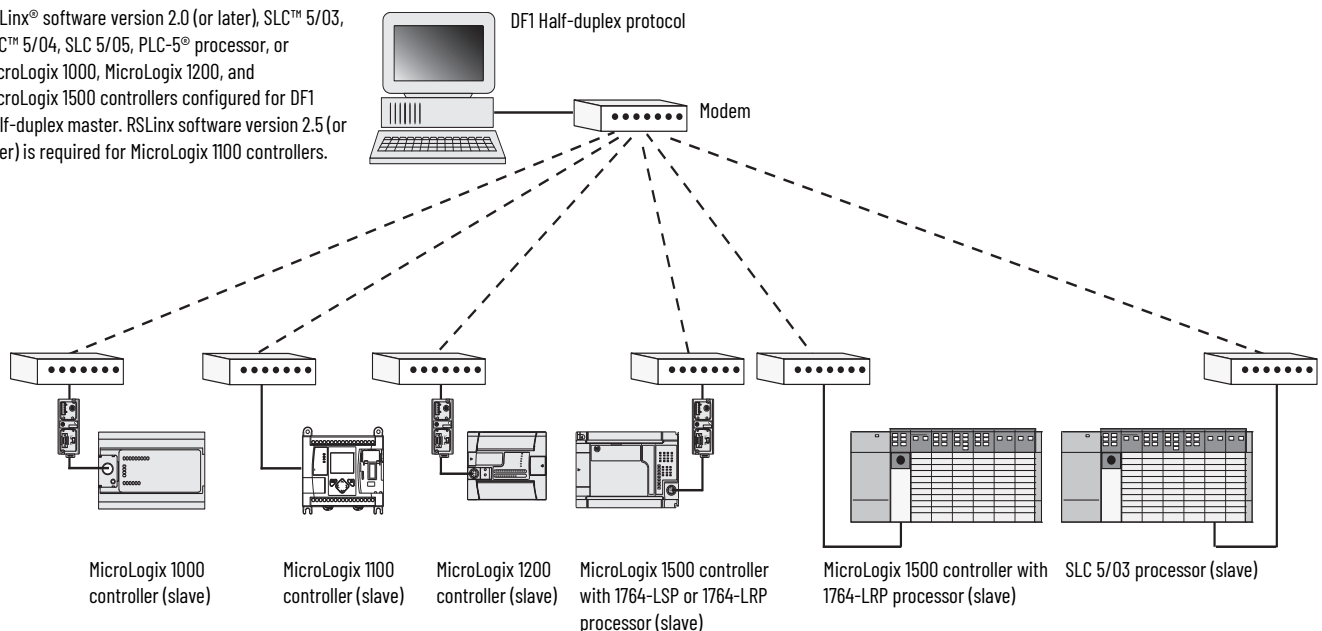


- (1) DB-9 RS-232 port
- (2) mini-DIN 8 RS-232 port
- (3) RS-485 port
- (4) Series C or later cables are required for Class I Division 2 applications.

DF1 Half-duplex Network (Using PC and Modems)

Figure 56 - DF1 Half-duplex Protocol

RSLinx® software version 2.0 (or later), SLC™ 5/03, SLC™ 5/04, SLC 5/05, PLC-5® processor, or MicroLogix 1000, MicroLogix 1200, and MicroLogix 1500 controllers configured for DF1 Half-duplex master. RSLinx software version 2.5 (or later) is required for MicroLogix 1100 controllers.



Connecting to a DH-485 Network

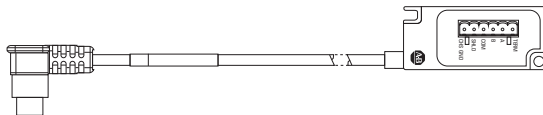
The network diagrams on the next pages provide examples of how to connect MicroLogix 1100 controllers to the DH-485 network.

You can connect a MicroLogix 1100 controller to your DH-485 network directly without using an external optical isolator, such as MicroLogix and SLC Communication Adapter (1761-NET-AIC), as shown in [Figure 58](#), because Channel 0 is isolated within the controller.



Use a 1763-NC01 series A or later (8-pin mini-DIN to 6-pin DH-485 connector) cable or equivalent to connect a MicroLogix 1100 controller to a DH-485 network.

Figure 57 - 1761-NC01 MicroLogix Cable



We recommend that you use a 1747-UIC USB interface to connect your computer to a DH-485 network. For more information on the 1747-UIC, see the Universal Serial Bus (USB) to DH-485 Interface Converter Installation Instructions, publication [1747-IN063](#).

DH-485 Configuration Parameters

When MicroLogix communications are configured for DH-485, the following parameters can be changed:

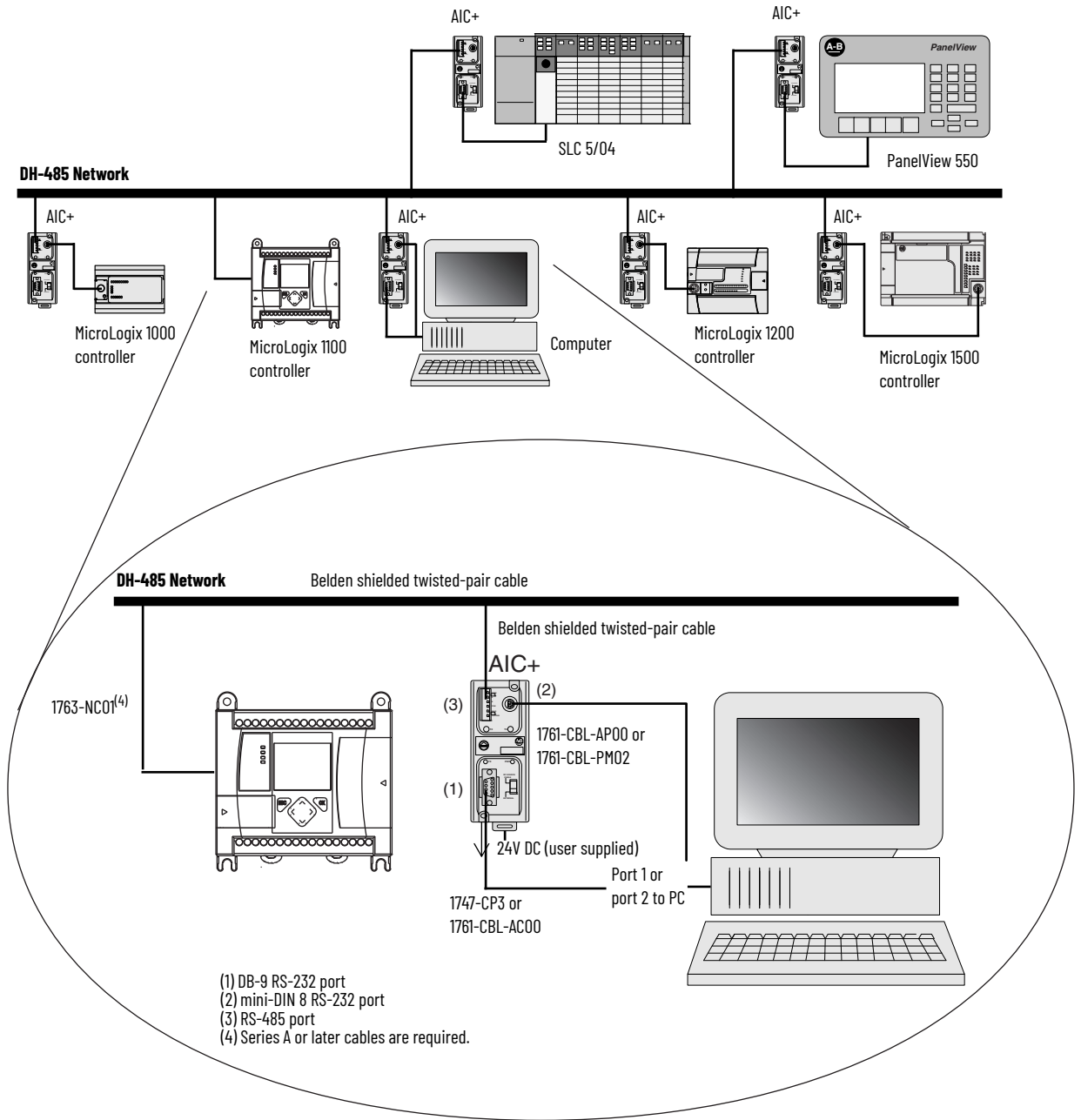
Table 10 - DH-485 Configuration Parameters

Parameter	Options
Baud Rate	9600, 19.2 KBps
Node Address	1...31 decimal
Token Hold Factor	1...4

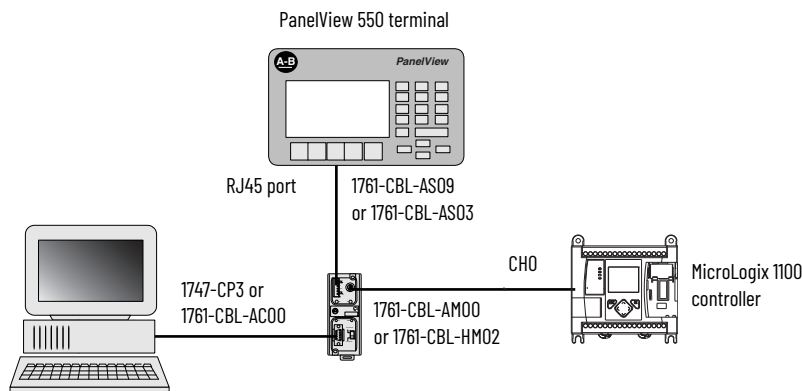
See [Software Considerations on page 150](#) for tips on setting the parameters listed in [Table 10](#).

DH-485 Network with a MicroLogix 1100 Controller

Figure 58 - Connect to a DH-485 Network



Typical 3-node Network (Channel 0 Connection)



Recommended Tools

To connect a DH-485 network to additional devices, you need tools to strip the shielded cable and to attach the cable to the AIC+ Advanced Interface Converter. We recommend the following equipment (or equivalent):

Table 11 - Working with Cables for DH-485 Network

Description	Part Number	Manufacturer
Shielded twisted-pair cable	#3106A or #9842	Belden
Stripping tool	Not applicable	Not applicable
1/8" slotted screwdriver	Not applicable	Not applicable

DH-485 Communication Cable

The suggested DH-485 communication cable is either Belden #3106A or #9842. The cable is jacketed and shielded with one or two twisted-wire pairs and a drain wire.

One pair provides a balanced signal line and one additional wire is used for a common reference line between all nodes on the network. The shield reduces the effect of electrostatic noise from the industrial environment on network communication.

The communication cable consists of a number of cable segments daisy chained together. The total length of the cable segments cannot exceed 1219 m (4000 ft.). However, two segments can be used to extend the DH-485 network to 2438 m (8000 ft.). For additional information on connections using the AIC+, see the AIC+ Advanced Interface Converter User Manual, publication [1761-UM004](#).

When cutting cable segments, make them long enough to route them from one AIC+ to the next, with sufficient slack to help prevent strain on the connector. Allow enough extra cable to help prevent chafing and kinking in the cable.

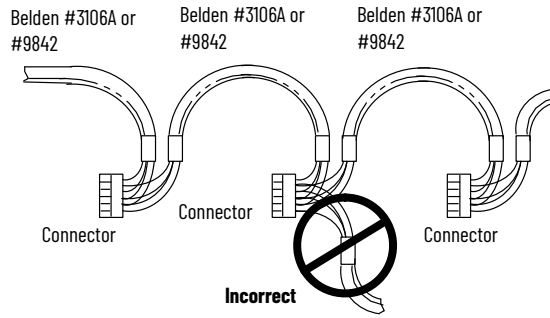
Use these instructions for wiring the Belden #3106A or #9842 cable. See [Cable Selection Guide on page 64](#) if you are using standard Allen-Bradley cables.)

Connecting the Communication Cable to the DH-485 Connector



A daisy chained network is recommended. Do not make the incorrect connection that is shown in [Figure 59](#).

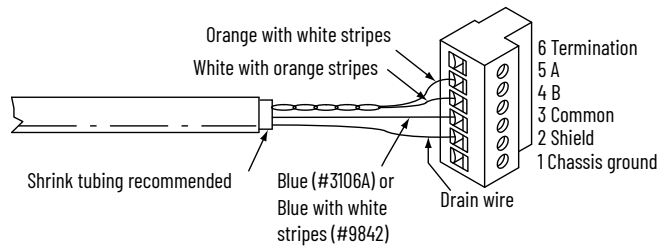
Figure 59 - Connect Communication Cable to DH-485 Connector



Single Cable Connection

When connecting a single cable to the DH-485 connector, use [Figure 60](#).

Figure 60 - Single Cable Connection



Multiple Cable Connections

When connecting multiple cables to the DH-485 connector, use [Figure 61](#).

Figure 61 - Multiple Cable Connections

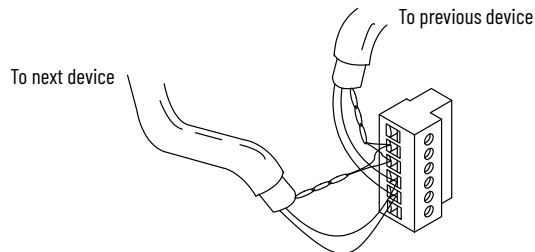


Table 12 - Connections using Belden #3106A Cable

For this Wire/Pair	Connect this Wire	To this Terminal
Shield/drain	Non-jacketed	Terminal 2 - Shield
Blue	Blue	Terminal 3 - (Common)
White/orange	White with orange stripe	Terminal 4 - (Data B)
	Orange with white stripe	Terminal 5 - (Data A)

Table 13 - Connections using Belden #9842 Cable

For this Wire/Pair	Connect this Wire	To this Terminal
Shield/drain	Non-jacketed	Terminal 2 - Shield
Blue/white	White with blue stripe	Cut back - no connection ⁽¹⁾
	Blue with white stripe	Terminal 3 - (Common)
White/orange	White with orange stripe	Terminal 4 - (Data B)
	Orange with white stripe	Terminal 5 - (Data A)

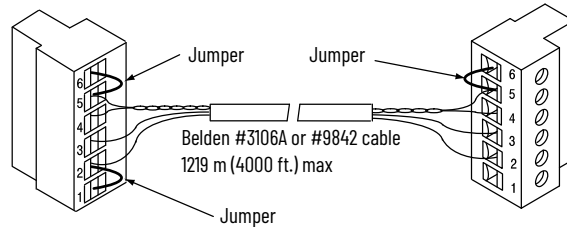
(1) To prevent confusion when installing the communication cable, cut back the white with blue stripe wire immediately after the insulation jacket is removed. This wire is not used by DH-485.

Ground and Terminate the DH-485 Network

Only one connector at the end of the link must have Terminals 1 and 2 jumpered together. This provides an earth ground connection for the shield of the communication cable.

Both ends of the network must have Terminals 5 and 6 jumpered together, as shown in [Figure 62](#). This connects the termination impedance (of 120 Ω) that is built into each AIC+ or the 1763-NC01 cable as required by the DH-485 specification.

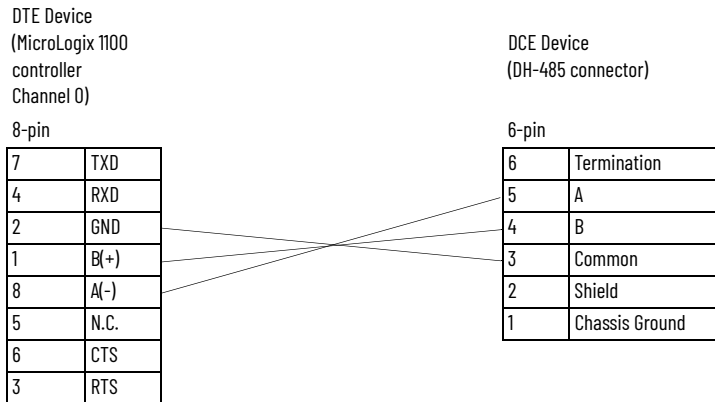
Figure 62 - End-of-Line Termination



MicroLogix 1100 Channel 0 to DH-485 Communication Cable Pinout

When connecting the MicroLogix 1100 controller Channel 0 to a DH-485 communication cable pinout using an RS-232 cable, the maximum that the cable length may be extended is 15.24 m (50 ft.). See [Figure 63](#).

Figure 63 - DH-485 Communications Cable Pinout

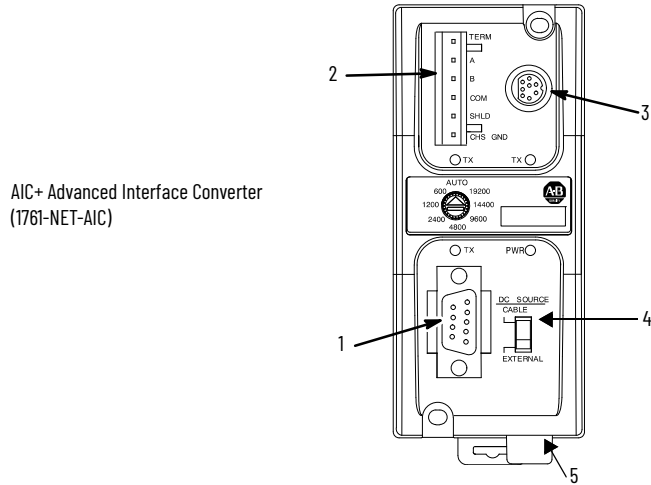


Connect the AIC+

You can connect a MicroLogix 1100 controller to a DH-485 network via Channel 0 directly without using an optical isolator, such as AIC+, catalog number 1761-NET-AIC, because Channel 0 is isolated. However, you must use an AIC+ to connect your computer or other MicroLogix family products, such as MicroLogix 1200 controllers, to a DH-485 network.

[Figure 64](#) shows the external wiring connections and specifications of the AIC+.

Figure 64 - AIC+ External Wiring Connections

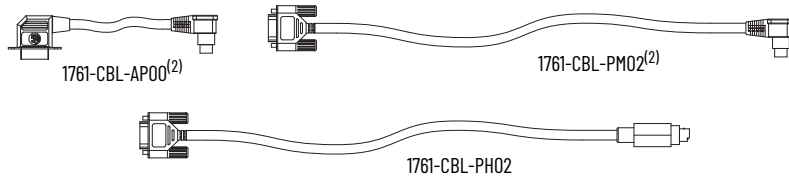


AIC+ Advanced Interface Converter
(1761-NET-AIC)

Item	Description
1	Port 1 - DB-9 RS-232, DTE
2	Port 3 - RS-485 Phoenix plug
3	Port 2 - mini-DIN 8 RS-232 DTE
4	DC Power source selector switch (Cable = Port 2 power source, External = External power source connected to item 5)
5	Terminals for external 24V DC power supply and chassis ground

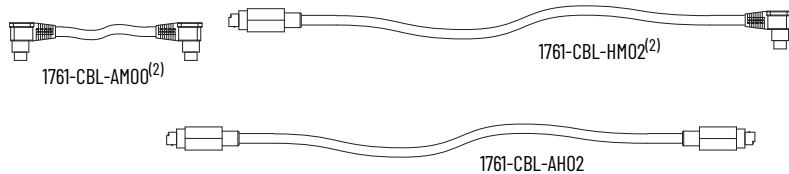
For additional information on connecting the AIC+, see the AIC+ Advanced Interface Converter User Manual, publication [1761-UM004](#).

Cable Selection Guide



Cable	Length	Connections from	to AIC+	External Power Supply Required ⁽¹⁾	Power Selection Switch Setting ⁽¹⁾
1761-CBL-AP00 ⁽²⁾ 1761-CBL-PM02 ⁽²⁾ 1761-CBL-PH02	45 cm (17.7 in.) 2 m (6.5 ft.) 2 m (6.5 ft.)	SLC 5/03 or SLC 5/04 processors, ch 0	Port 2	Yes	External
		MicroLogix 1000, 1200, or 1500 controllers, ch 0	Port 1	Yes	External
		MicroLogix 1100 controller, ch 0	Port 1	Yes	External
		PanelView 550 terminal through NULL modem adapter	Port 2	Yes	External
		DTAM™ Plus / DTAM™ Micro	Port 2	Yes	External
		PC COM port	Port 2	Yes	External

(1) An external power supply is required unless the AIC+ is powered by the device that is connected to port 2, then the selection switch should be set to cable.
 (2) Series C or later cables are required.



Cable	Length	Connections from	to AIC+	External Power Supply Required ⁽¹⁾	Power Selection Switch Setting
1761-CBL-AM00 ⁽²⁾	45 cm (17.7 in.)	MicroLogix 1000, 1200, or 1500 controllers, ch 0	Port 2	No	Cable
1761-CBL-HM02 ⁽²⁾	2 m (6.5 ft.)	MicroLogix 1100 controller, ch 0	Port 2	Yes	External
1761-CBL-AH02	2 m (6.5 ft.)	To port 2 on another AIC+	Port 2	Yes	External

(1) An external power supply is required unless the AIC+ is powered by the device that is connected to port 2, then the selection switch should be set to cable.
 (2) Series C or later cables are required.



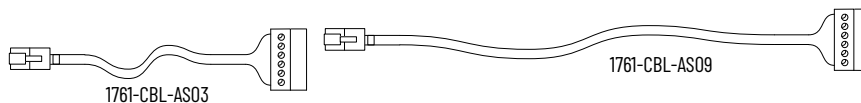
Cable	Length	Connections from	to AIC+	External Power Supply Required ⁽¹⁾	Power Selection Switch Setting ⁽¹⁾
1747-CP3 1761-CBL-AC00 ⁽²⁾	3 m (9.8 ft.) 45 cm (17.7 in.)	SLC 5/03 or SLC 5/04 processor, ch 0	Port 1	Yes	External
		PC COM port	Port 1	Yes	External
		PanelView 550 terminal through NULL modem adapter	Port 1	Yes	External
		DTAM Plus / DTAM Micro	Port 1	Yes	External
		Port 1 on another AIC+	Port 1	Yes	External

(1) An external power supply is required unless the AIC+ is powered by the device that is connected to port 2, then the selection switch should be set to cable.
 (2) Series C or later cables are required.



Cable	Length	Connections from	to AIC+	External Power Supply Required ⁽¹⁾	Power Selection Switch Setting ⁽¹⁾
Straight 9-pin to 25-pin	—	Modem or other communication device	Port 1	Yes	External

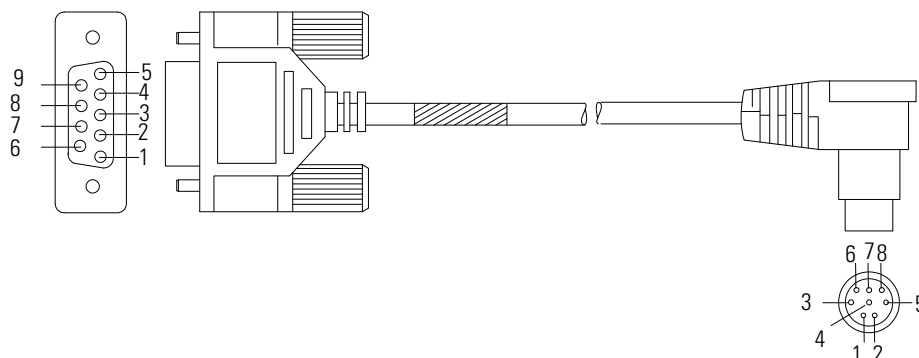
(1) An external power supply is required unless the AIC+ is powered by the device that is connected to port 2, then the selection switch should be set to cable.

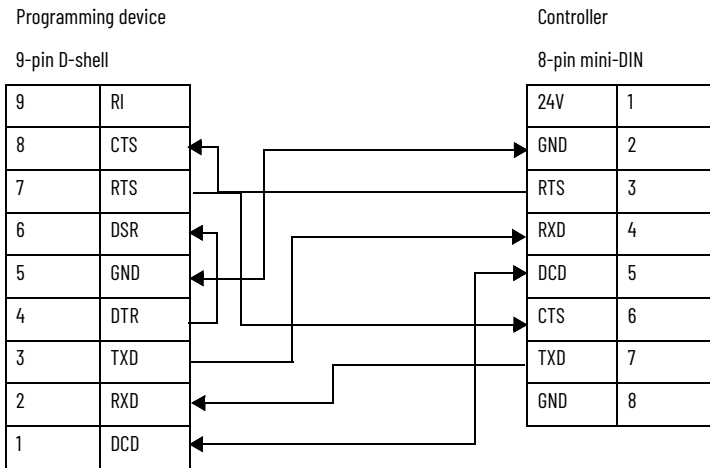


Cable	Length	Connections from	to AIC+	External Power Supply Required ⁽¹⁾	Power Selection Switch Setting ⁽¹⁾
1761-CBL-AS03	3 m (9.8 ft.)	SLC™ 500 Fixed, SLC 5/01, SLC 5/02, and SLC 5/03 processors	Port 3	Yes	External
1761-CBL-AS09	9.5 m (31.17 ft.)	PanelView 550 terminal RJ45 port	Port 3	Yes	External

(1) An external power supply is required unless the AIC+ is powered by the device that is connected to port 2, then the selection switch should be set to cable.

1761-CBL-PM02 Series C (or equivalent) Cable Wiring Diagram





Recommended User-supplied Components

These components can be purchased from your local electronics supplier.

Table 14 - User-supplied Components

Component	Recommended Model
External power supply and chassis ground	Power supply rated for 20.4...28.8V DC
NULL modem adapter	Standard AT
Straight 9-pin to 25-pin RS-232 cable	See Figure 65 and Table 15 for port information if making your own cables.

Figure 65 - Port Pinout

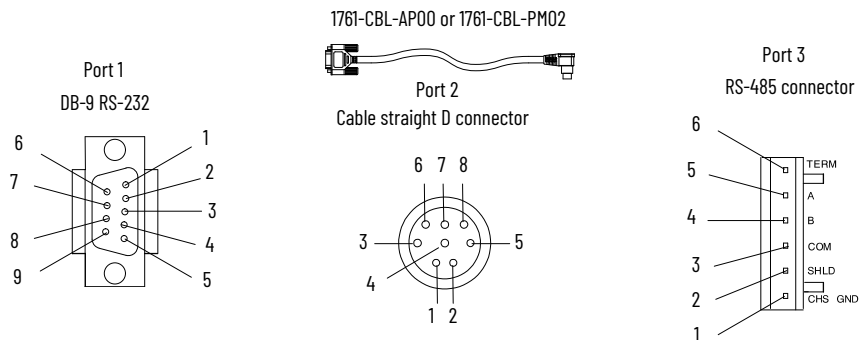


Table 15 - Cable Assignment

Pin	Port 1: DB-9 RS-232	Port 2 ⁽¹⁾ : 1761-CBL-PM02 cable	Port 3: RS-485 Connector
1	Received line signal detector (DCD)	24V DC	Chassis ground
2	Received data (RxD)	Ground (GND)	Cable shield
3	Transmitted data (TxD)	Request to send (RTS)	Signal ground
4	DTE ready (DTR) ⁽²⁾	Received data (RxD) ⁽³⁾	DH-485 data B
5	Signal common (GND)	Received line signal detector (DCD)	DH-485 data A
6	DCE ready (DSR) ⁽²⁾	Clear to send (CTS) ⁽³⁾	Termination
7	Request to send (RTS)	Transmitted data (TxD)	Not applicable
8	Clear to send (CTS)	Ground (GND)	Not applicable
9	Not applicable	Not applicable	Not applicable

(1) An 8-pin mini-DIN connector is used for making connections to port 2. This connector is not commercially available. If you are making a cable to connect to port 2, you must configure your cable to connect to the Allen-Bradley cable shown in [Figure 65](#).

(2) On port 1, pin 4 is electronically jumpered to pin 6. Whenever the AIC+ is powered on, pin 4 matches the state of pin 6.

(3) In the 1761-CBL-PM02 cable, pins 4 and 6 are jumpered together within the DB-9 connector.

Safety Considerations

This equipment is suitable for use in Class I Division 2, Groups A, B, C, D, or non-hazardous locations only.



ATTENTION: EXPLOSION HAZARD

AIC+ must be operated from an external power source.

This product must be installed in an enclosure. All cables connected to the product must remain in the enclosure or be protected by conduit or other means.

See [Safety Considerations on page 15](#) for additional information.

Install and Attach the AIC+

1. Take care when installing the AIC+ in an enclosure so that the cable connecting the MicroLogix controller to the AIC+ does not interfere with the enclosure door.
2. Carefully plug the terminal block into the RS-485 port on the AIC+ you are putting on the network. Allow enough cable slack to help prevent stress on the plug.
3. Provide strain relief for the Belden cable after it is wired to the terminal block. This guards against breakage of the Belden cable wires.

Power the AIC+

MicroLogix 1000, MicroLogix 1200, and MicroLogix 1500 programmable controllers support 24V DC communication power on Channel 0. When connected to the 8-pin mini-DIN connector on the 1761-NET-AIC, 1761-NET-ENI, and the 1761-NET-ENIW, these controllers provide the power for the interface converter modules.

The MicroLogix 1100 controller does not provide 24V DC communication power. Instead these pins are used to provide RS-485 communications directly. Any AIC+, ENI, or ENIW not connected to a MicroLogix 1000, MicroLogix 1200, or MicroLogix 1500 controller requires a 24V DC power supply.

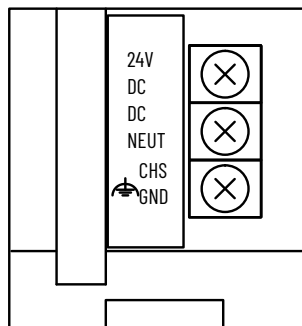
If both the controller and external power are connected to the AIC+, the power selection switch determines what device powers the AIC+.



ATTENTION: If you use an external power supply, it must be 24V DC (-15%/+20%). Permanent damage results if a higher voltage supply is used.

Set the DC Power Source selector switch to EXTERNAL before connecting the power supply to the AIC+. [Figure 66](#) shows where to connect external power for the AIC+.

Figure 66 - External Power for AIC+



Bottom view



ATTENTION: Always connect the CHS GND (chassis ground) terminal to the nearest earth ground. This connection must be made whether or not an external 24V DC supply is used.

Power Options

There are two options for powering the AIC+:

- Use the 24V DC user power supply built into the MicroLogix 1000, MicroLogix 1200, or MicroLogix 1500 controller. The AIC+ is powered through a hard-wired connection using a communication cable (1761-CBL-HM02, or equivalent) connected to port 2.
- Use an external DC power supply with the following specifications:
 - Operating voltage: 24V DC (-15%/+20%)
 - Output current: 150 mA minimum
 - Rated NEC Class 2

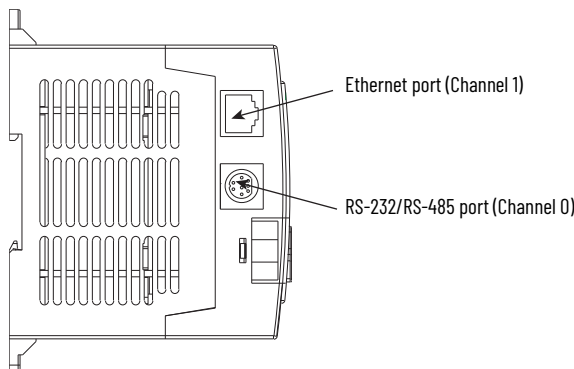
Make a hard-wired connection from the external supply to the screw terminals on the bottom of the AIC+.



ATTENTION: If you use an external power supply, it must be 24V DC (-15%/+20%). Permanent damage results if miswired with the wrong power source.

Connecting to Ethernet

You can connect a MicroLogix 1100 controller to an Ethernet network via the Ethernet port (Channel 1). You do not need to use an Ethernet interface card, such as the Ethernet Interface (ENI) and (ENIW), 1761-NET-ENI and 1761-NET-ENIW, to connect your MicroLogix 1100 controller to an Ethernet network. For additional information on connecting to an Ethernet network, see [Connect to Networks via Ethernet Interface on page 155](#).

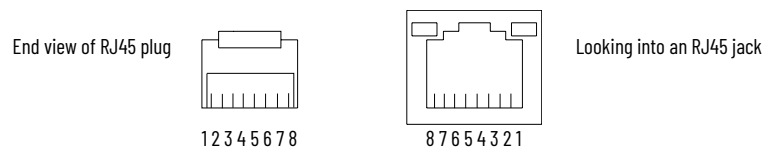


Ethernet Connections

The Ethernet connector, Channel 1, is an RJ45, 10/100 Base-T connector. The pinout for the connector is shown in [Table 16](#).

Table 16 - RJ45 Connector Pinout

Pin	Pin Name
1	Tx+
2	Tx-
3	Rx+
4	Not used by 10/100Base-T
5	Not used by 10/100Base-T
6	Rx-
7	Not used by 10/100Base-T
8	Not used by 10/100Base-T



When to use straight-through and cross-over cable:

- MicroLogix 1100 controller Ethernet port to 10/100 Base-T Ethernet switch cables uses a straight-through pinout (1-1, 2-2, 3-3, 6-6).
- Direct point-to-point 10/100 Base-T cables connecting the MicroLogix 1100 controller Ethernet port directly to another Ethernet port (or a computer 10/100Base-T port) require a cross-over pinout (1-3, 2-6, 3-1, 6-2).

Notes:

Use the LCD and Keypad

The LCD and keypad are shown in [Figure 67](#).

Figure 67 - Controller LCD and Keypad

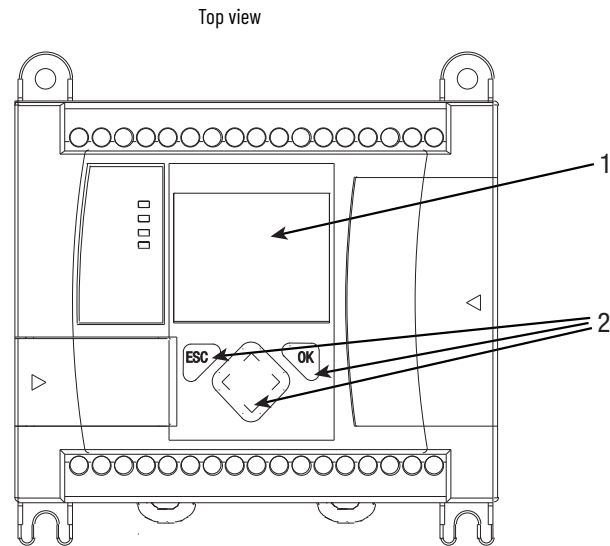
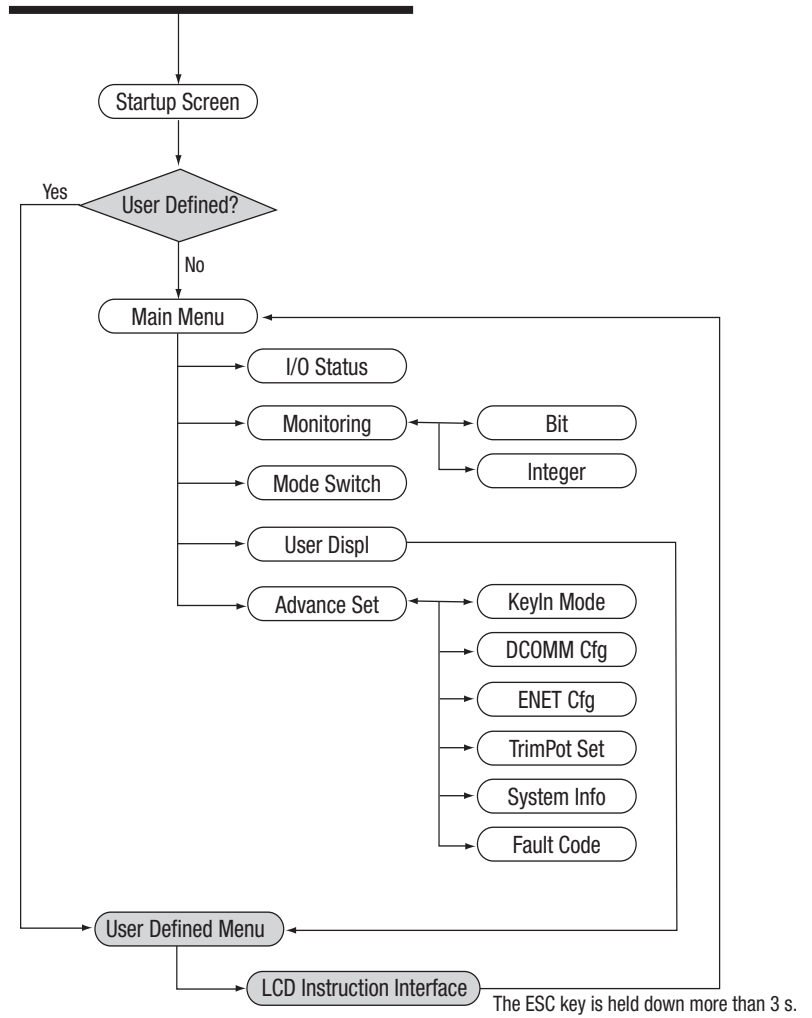


Table 17 - LCD and Keypad

Feature	Description
1	LCD
2	LCD screen keypad (ESC, OK, Up, Down, Left, and Right buttons)

Operating Principles

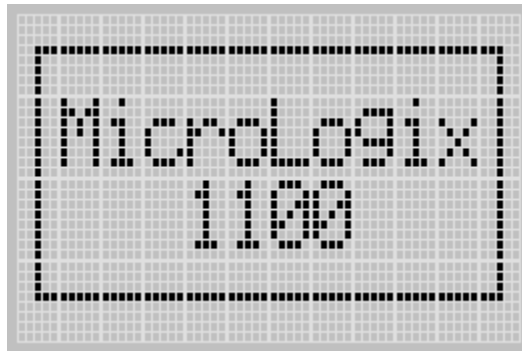
Figure 68 - MicroLogix 1100 LCD Menu Structure Tree



Startup Screen

The Startup screen displays whenever the controller is powered up.

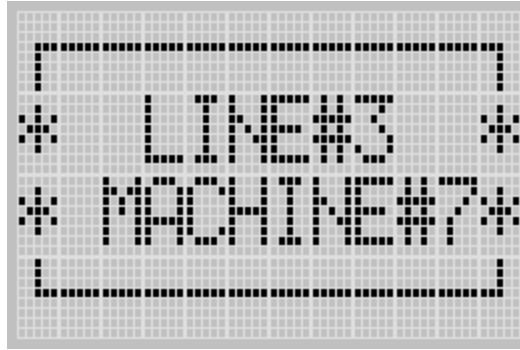
Figure 69 - LCD Default Startup Screen



You can customize this Startup screen in your application program by defining a string data file that contains the string to display on the Startup screen and specifying the CBS element of the LCD Function File to the address of this string file.

[Figure 70](#) shows an example of a customized Startup screen.

Figure 70 - Customized Startup Screen Example



For more information on how to create and use a customized Startup screen, see the LCD Function File described in the MicroLogix 1100 Programmable Controllers Instruction Set Reference Manual, publication [1763-RM001](#).

After the default Startup screen or your customized Startup screen is displayed for 3 seconds, either the default screen (the I/O Status screen) is displayed by default, or a user-defined screen is displayed if your application uses a custom default screen.

Main Menu and Default Screen

The Main menu consists of five menu items: I/O Status, Monitoring, Mode Switch, User Displ, and Advance Set.

Figure 71 - LCD Main Menu



Table 18 - Main Menu Items

Menu Item	Description	For details, see
I/O Status	Displays the I/O Status screen, which shows the I/O status of the embedded digital I/O.	I/O Status on page 76
Monitoring	Allows you to view and change the data value of a bit and an integer file.	Monitor Bit File on page 77 Monitor Integer File on page 82

Table 18 - Main Menu Items (Continued)

Menu Item	Description	For details, see
Mode Switch	Allows you to change the mode switch selection.	Use the Mode Switch on page 88
User Displ	Displays the user-defined LCD screen	Use a User-defined LCD Screen on page 90
Advance Set	Allows you to configure or view the following: <ul style="list-style-type: none"> • Change the key in mode for value entry for a trimpot. • Use the Communications Toggle functionality. • View the Ethernet port configuration. • Change the data value of trimpots. • View system information, such as OS series and firmware revision. 	<ul style="list-style-type: none"> • Change Key In Mode on page 92 • Communications Toggle Functionality on page 94 • Ethernet Port Configuration on page 95 • Trimpots on page 96 • I/O Status on page 76

Figure 72 - LCD Default Screen - I/O Status Screen

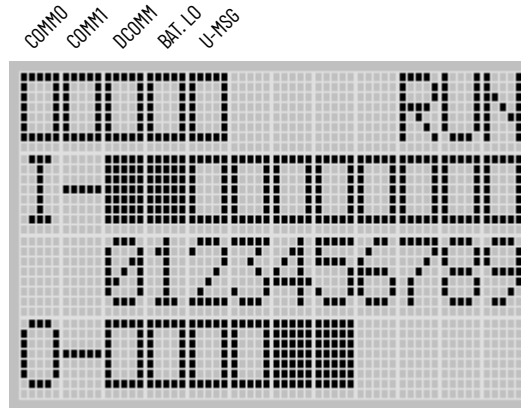
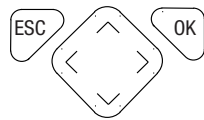


Figure 72 is the default screen of the display, allowing you to monitor the controller and I/O Status. For more information on the I/O Status screen, see [I/O Status on page 76](#).

Operating Buttons

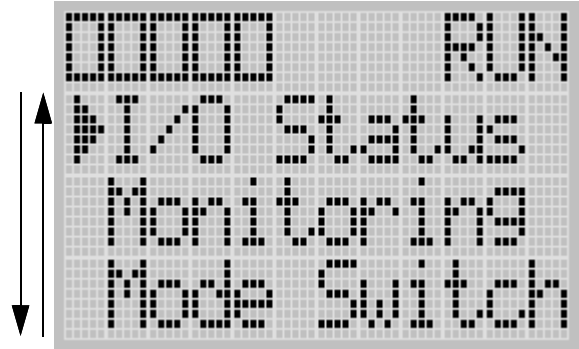
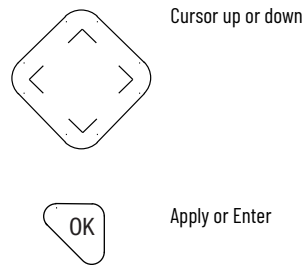


Button	Function
Cursor Buttons	Move cursor Select menu item Choose file numbers, values, and so on
OK	Next menu level, store your entry, apply the changes
ESC	Previous menu level, cancel your entry

Using Menus to Choose Values

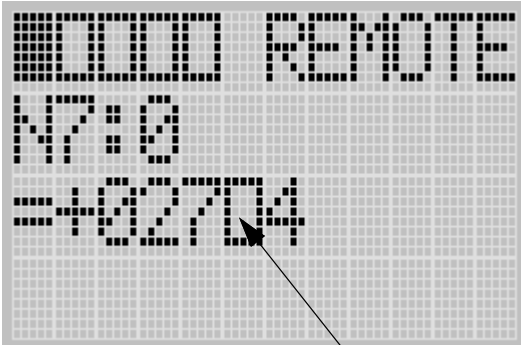
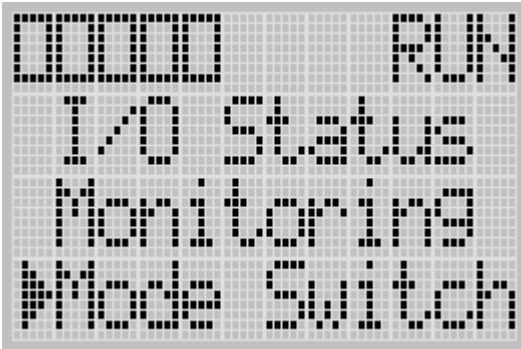
Press	To
	<ul style="list-style-type: none"> • Go to the next menu level. • Store your entry. • Apply the changes.
	<ul style="list-style-type: none"> • Go to the previous menu level. • Cancel your entry since the last <i>Ok</i>. • Press repeatedly to go to the main menu.
	<ul style="list-style-type: none"> • Change menu item. • Change value. • Change position.

Select Between Menu Items



The symbol "▣" is used as the cursor.

Cursor Display



Flashing value is presented as an empty rectangle for explanation purpose.

There are two different cursor types:

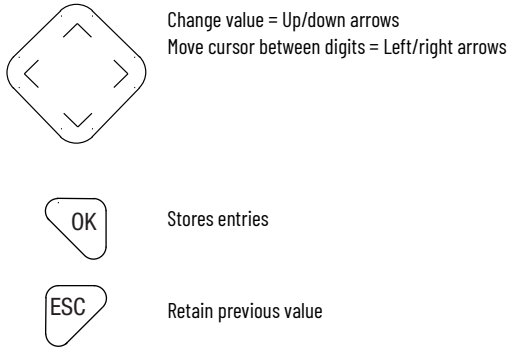
Selection cursor (the symbol "▣") is displayed left to the selected item.

- Move the cursor with the up/down arrows

Full block navigation is shown as a flashing block:

- Change position with left/right arrows
- Change values with up/down arrows

Setting Values

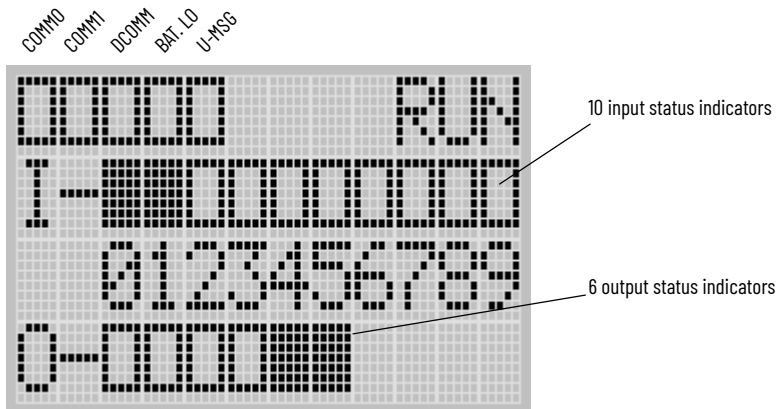


Left/right arrow moves the cursor between the digits of the value (+02714).
Up/down arrow = Changes the value
Up arrow = Increment
Down arrow = Decrement

I/O Status

The MicroLogix 1100 controller provides I/O status indicators on the LCD screen. You can view the status of inputs and outputs on the I/O Status screen on the LCD, as shown in [Figure 73](#). The I/O status indicators on this screen are updated every 100 ms to reflect the current I/O status in real time, regardless of controller scan time.

Figure 73 - I/O Status Screen



A solid rectangle displays when the input or output is energized. An empty rectangle displays when the input or output is not energized.

IMPORTANT

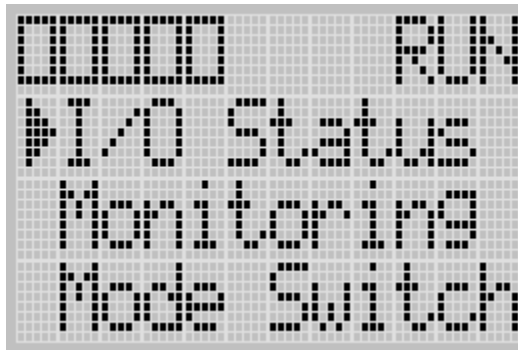
- If no user-defined LCD screen is used, the I/O Status screen displays:
- 5 seconds after the controller has powered-up
 - When the user enters the I/O Status screen from other screen using the LCD menu. If you are at the other screen and want to view I/O status, you have to enter the I/O Status screen manually using the menu. Otherwise, the current screen is displayed continuously.

- IMPORTANT** If a user-defined LCD screen is used, the I/O Status screen displays:
- When the user holds down the ESC key for more than 3 seconds
 - When time out is enabled, that is, the timeout period is set to a positive value, and the timeout period is passed. You can enable and disable timeout and set the timeout period using the TO element in the LCD Function File. For more information, see the LCD Function File that is described in the MicroLogix 1100 Programmable Controllers Instruction Set Reference Manual, publication [1763-RM001](#).
 - If time out is disabled, that is, the timeout period is set to zero, and a custom LCD screen is displayed, it is displayed continuously until the user gives an input to change to other screen. For more information, [Use a User-defined LCD Screen on page 90](#).

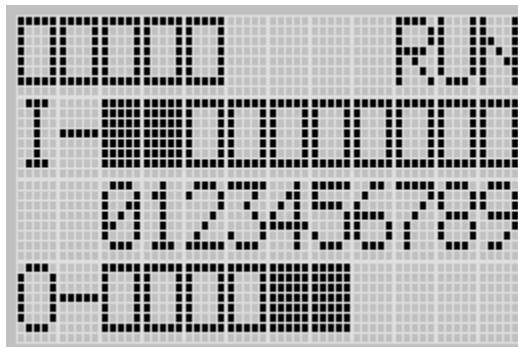
View I/O Status

Follow these steps to view the status of inputs and outputs on the LCD.

1. On the Main Menu screen, select I/O Status by using the Up and Down keys on the LCD keypad.



2. Press OK on the LCD keypad. The I/O Status screen displays.



3. If you have finished viewing I/O status, press ESC to return to the Main Menu screen, as shown in [step 1](#).

Monitor Bit File

The LCD allows you to view and change the data values of 48 bits in a user-defined file. You can access to this functionality via the Monitoring screen of the LCD.

To monitor the bit file on the LCD, you have to specify its file number in the Target Bit File Number (TBF) element of the LCD Function File and download your application program to the controller. The TBF element can only be changed by a program download.

Target Bit File Number (TBF)

Feature	Address	Data Format	Type	User Program Access
Target Bit File Number	LCD:0.TBF	Word (INT)	Control	Read-only

The value that is stored in the TBF element identifies the bit file with which the LCD interfaces. Valid bit files are B3, and B10 through B255. When the LCD reads a valid bit file number, it can access up to the first 48 bits (0...47) of the specified file on the LCD screen. The next 48 bits in the target bit file (48...95) are used to define the read-only or read/write privileges for the first 48 bits.

The only bit file that the LCD interfaces with is the file that is specified in the TBF element.

IMPORTANT Use your programming software to verify that the bit file you specify in the TBF element, and the appropriate number of elements, exist in the MicroLogix 1100 user program.

[Table 19](#) shows an example of how the LCD uses the configuration information with bit file number 3 (LCD:0.TBF=3).

Table 19 - Bit File Number 3 Example

Bit Number	Data Address	Protection Bit	Bit Number	Data Address	Protection Bit	Bit Number	Data Address	Protection Bit
0	B3:0/0	B3:3/0	16	B3:1/0	B3:4/0	32	B3:2/0	B3:5/0
1	B3:0/1	B3:3/1	17	B3:1/1	B3:4/1	33	B3:2/1	B3:5/1
2	B3:0/2	B3:3/2	18	B3:1/2	B3:4/2	34	B3:2/2	B3:5/2
3	B3:0/3	B3:3/3	19	B3:1/3	B3:4/3	35	B3:2/3	B3:5/3
4	B3:0/4	B3:3/4	20	B3:1/4	B3:4/4	36	B3:2/4	B3:5/4
5	B3:0/5	B3:3/5	21	B3:1/5	B3:4/5	37	B3:2/5	B3:5/5
6	B3:0/6	B3:3/6	22	B3:1/6	B3:4/6	38	B3:2/6	B3:5/6
7	B3:0/7	B3:3/7	23	B3:1/7	B3:4/7	39	B3:2/7	B3:5/7
8	B3:0/8	B3:3/8	24	B3:1/8	B3:4/8	40	B3:2/8	B3:5/8
9	B3:0/9	B3:3/9	25	B3:1/9	B3:4/9	41	B3:2/9	B3:5/9
10	B3:0/10	B3:3/10	26	B3:1/10	B3:4/10	42	B3:2/10	B3:5/10
11	B3:0/11	B3:3/11	27	B3:1/11	B3:4/11	43	B3:2/11	B3:5/11
12	B3:0/12	B3:3/12	28	B3:1/12	B3:4/12	44	B3:2/12	B3:5/12
13	B3:0/13	B3:3/13	29	B3:1/13	B3:4/13	45	B3:2/13	B3:5/13
14	B3:0/14	B3:3/14	30	B3:1/14	B3:4/14	46	B3:2/14	B3:5/14
15	B3:0/15	B3:3/15	31	B3:1/15	B3:4/15	47	B3:2/15	B3:5/15

The bit number that is displayed on the LCD corresponds to the data address as illustrated in the table. The protection bit defines whether the data is editable or read-only. When the protection bit is set (1), the corresponding data address is considered read-only by the LCD. The "Protected!" message is displayed whenever a read-only element is active on the LCD. When the protection bit is clear (0) or the protection bit does not exist, no additional message is displayed and the data within the corresponding address is editable from the LCD keypad.

IMPORTANT Although the LCD does not allow protected data to be changed from its keypad, the control program or other communication devices do have access to this data. Protection bits only provide LCD write protection. They do not provide any overwrite protection to data from ladder logic, HMI, or programming software. It is the users' responsibility to verify that data is not inadvertently overwritten.



- Remaining addresses within the target file can be used without restrictions (addresses B3:6/0 and above, in this example).
- The LCD always starts at bit 0 of a data file. It cannot start at any other address within the file.

Monitor a Bit File

For the explanations in this section, we assume the followings in the application program:

- A bit file B3, which is 7 elements long (7 words = 112 bits), is defined with the preset data, as shown in [Figure 74](#).

Figure 74 - File B3 Data

Offset	15	14	13	12	11	10	9	8	7	6	5	4	3	2	1	0
B3:0	0	0	0	0	0	0	0	0	0	0	0	0	1	0	0	0
B3:1	0	0	0	0	0	0	0	0	1	0	0	0	0	0	0	0
B3:2	0	0	0	0	0	0	0	0	0	0	0	0	0	0	0	0
B3:3	0	0	0	0	0	0	0	0	0	0	0	0	1	0	1	0
B3:4	0	0	0	0	0	0	0	0	1	0	0	0	0	0	0	0
B3:5	0	0	0	0	0	0	0	0	0	0	0	0	0	0	0	0
B3:6	0	0	0	0	0	0	0	0	0	0	0	0	0	0	1	0

- The TBF element of the LCD Function File is set to 3 to specify the bit file B3 as the target bit file to monitor on the LCD, as shown in [Figure 75](#).

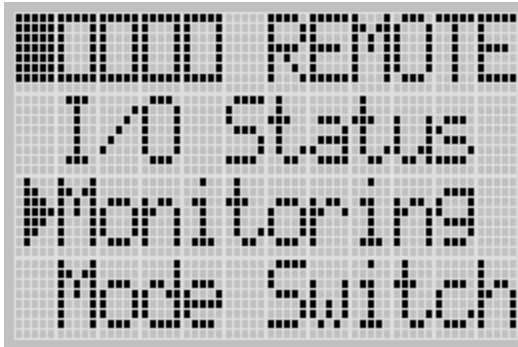
Figure 75 - LCD Function File

Address	Value	Description
LCD:0	{...}	
- CBS - Customized Boot Message String File Address Offset	0	
- SCD - Start with Customized Display	0	
- TO - Data Input Timeout of LCD Instruction(x Sec)	0	
- DN - LCD Instruction Job Done	1	
- ERR - LCD Display Operation Error Bit	0	
- ERN - LCD Module Operation Error Number	0	
- TBF - Target Bit File Number	3	
- TIF - Target Integer File Number	7	
- JOG - Jog data update Mode Set	0	
- TMIN - Trimpot Low Value	0	
- TMAX - Trimpot High Value	250	
- POT0 - Trimpot 0 Data (TMIN - TMAX)	0	
- POT1 - Trimpot 1 Data (TMIN - TMAX)	0	
- WND - Instruction Display Window	0	
- OK - OK key in Customized Display	0	
- ESC - ESC key in Customized Display	0	

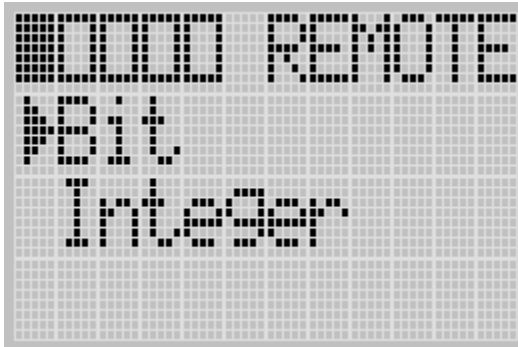
- The controller mode is set to Remote Run.

Follow these steps to view and change the data values of the bit file B3.

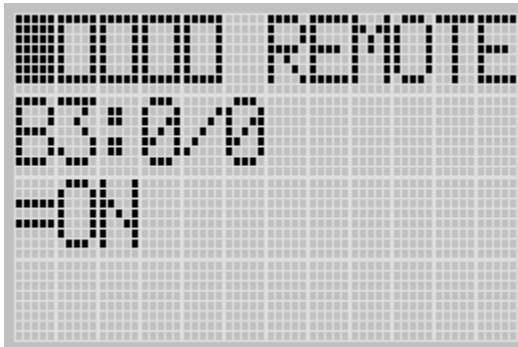
1. On the Main Menu screen, select Monitoring by using the Up and Down keys on the LCD keypad.



2. Press OK on the LCD keypad. The Bit/Integer File Select screen displays.



3. If Bit is selected, as shown in [step 2](#), press OK . If not selected, press the Up or Down key to select it, and then press OK.
4. The current data value (ON) of the B3:0/0 bit is displayed. Note that "0/0" flashes, which means the cursor is at the target bit position.

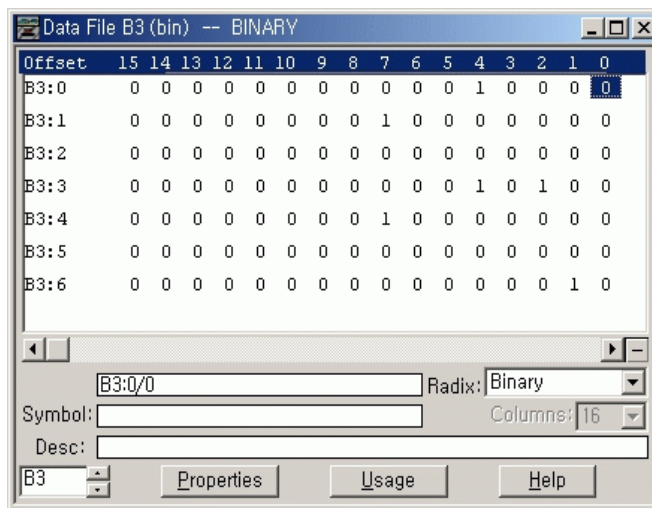


5. To change the data value of the B3:0/0 bit to OFF (0): First, press OK to select the displayed address and move the cursor to the data value position. Then, "ON" flashes, which means the cursor is at the data value position.
6. Press the Down key. Then, the data value is represented as "OFF". Note that "OFF" continues to flash, which means the cursor is still at the data value position.

- Press OK to apply the changes. Then, the new value OFF (0) is applied. The target bit, "0/0" in this example, flashes. The cursor is moved automatically to the target bit position.



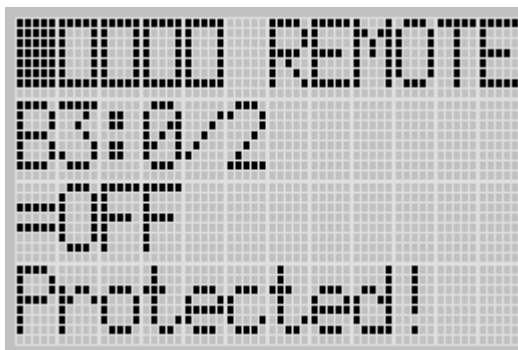
You can identify this change of data value is reflected to your RSLogix 500 programming software.



When the cursor is at the data value position, press the Down key to change the data value of a bit from ON (1) to OFF (0). Press the Up key to change from OFF (0) to ON (1).

After changing the data value of a target bit, press OK to apply the changes or press ESC to discard the changes.

- Now, we view an example of the data value of a protected bit, B3:0/2. Press the Up key twice. Then, the target bit changes to "0/2" and its data value is displayed with the "Protected!" message. Because the B3:3/2 is set (1), the B3:0/2 bit is a protected bit.



- Try to move the cursor to the data value position by pressing OK. Because the B3:0/2 bit is a protected bit, you find that the cursor does not move to the data value position.

10. Press the Up key once to view the data value of the B3:0/3 bit. Because the B3:0/3 bit is not a protected bit, only its data value, OFF (0) in this example, displays without the "Protected!" message.
11. Press the Up key once to view the data value of the B3:0/4 bit. You find that the B3:0/3 bit is a protected bit and its data value is ON (1).
12. Hold down the Up key until the target bit becomes "2/15".



Press the Up key again, and you find the target bit does not change to "3/0". It is because the maximum range of bits you can monitor with the LCD is the first 48 bits (3 words) of the specified target bit file.

IMPORTANT The maximum range of bits you can monitor with the Bit File Monitoring functionality on the LCD is the first 48 bits (3 words).

13. Try to press the Up and Down keys to change the target bit to another bit. Try to change its data value using the OK, Up and Down keys.
14. If you have finished monitoring the bit file, B3, press ESC to return to the Bit/Integer File Select screen, as shown in [step 2](#).

Monitor Integer File

The LCD allows you to view and change the data value of an integer file. You can access to this functionality via the Monitoring screen of the LCD.

To monitor an integer file on the LCD, you have to specify its file number in the Target Integer File Number (TIF) element of the LCD Function File and download your application program to the controller. The TIF element can only be changed by a program download.

Target Integer File Number (TIF)

Feature	Address	Data Format	Type	User Program Access
Target Integer File Number	LCD:0.TIF	Word (INT)	Control	Read-only

The value that is stored in the TIF element identifies the integer file with which the LCD interfaces. The LCD can read or write to any valid integer file within the controller. Valid integer files are N3 through N255. When the LCD reads a valid integer file number, it can access up to the first 48 elements (words 0...47) of the specified file on the LCD screen. The next 48 bits (words 48...50) are used to define the read-only or read/write privileges for the first 48 elements.

The only integer file that the LCD interfaces with is the file that is specified in the TIF element.

IMPORTANT The maximum range of bits you can monitor with the Bit File Monitoring functionality on the LCD is the first 48 bits (3 words).

[Table 20](#) shows an example of how the LCD uses the configuration information with integer file number 7 (LCD:0.TIF=7).

Table 20 - Integer File Number 7 Example

Element Number	Data Address	Protection Bit	Element Number	Data Address	Protection Bit	Element Number	Data Address	Protection Bit
0	N7:0	N7:48/0	16	N7:16	N7:49/0	32	N7:32	N7:50/0
1	N7:1	N7:48/1	17	N7:17	N7:49/1	33	N7:33	N7:50/1
2	N7:2	N7:48/2	18	N7:18	N7:49/2	34	N7:34	N7:50/2
3	N7:3	N7:48/3	19	N7:19	N7:49/3	35	N7:35	N7:50/3
4	N7:4	N7:48/4	20	N7:20	N7:49/4	36	N7:36	N7:50/4
5	N7:5	N7:48/5	21	N7:21	N7:49/5	37	N7:37	N7:50/5
6	N7:6	N7:48/6	22	N7:22	N7:49/6	38	N7:38	N7:50/6
7	N7:7	N7:48/7	23	N7:23	N7:49/7	39	N7:39	N7:50/7
8	N7:8	N7:48/8	24	N7:24	N7:49/8	40	N7:40	N7:50/8
9	N7:9	N7:48/9	25	N7:25	N7:49/9	41	N7:41	N7:50/9
10	N7:10	N7:48/10	26	N7:26	N7:49/10	42	N7:42	N7:50/10
11	N7:11	N7:48/11	27	N7:27	N7:49/11	43	N7:43	N7:50/11
12	N7:12	N7:48/12	28	N7:28	N7:49/12	44	N7:44	N7:50/12
13	N7:13	N7:48/13	29	N7:29	N7:49/13	45	N7:45	N7:50/13
14	N7:14	N7:48/14	30	N7:30	N7:49/14	46	N7:46	N7:50/14
15	N7:15	N7:48/15	31	N7:31	N7:49/15	47	N7:47	N7:50/15

The element number that is displayed on the LCD corresponds to the data address as illustrated in the table. The protection bit defines whether the data is editable or read-only. When the protection bit is set (1), the corresponding data address is considered read-only by the LCD. The “Protected!” message is displayed whenever a read-only element is active on the LCD. When the protection bit is clear (0) or the protection bit does not exist, no additional message is displayed and the data within the corresponding address is editable from the LCD keypad.

IMPORTANT

Although you cannot change protected data from the LCD keypad, the control program or other communication devices have access to protected data. Protection bits do not provide any overwrite protection to data within the target integer file. It is entirely the user’s responsibility to verify that data is not inadvertently overwritten.



- Remaining addresses within the target file can be used without restrictions (addresses N7:51 and above, in this example).
- The LCD always starts at word 0 of a data file. It cannot start at any other address within the file.

Monitor an Integer File

For the explanations in this section, we assume the following in the application program:

- An integer file N7, which is 53 elements long (53 words), is defined with the preset data, as shown in [Figure 76](#).

Figure 76 - Data File N7

Data words (first 48 words), which are monitored on the LCD and maskable by protection bits

Protection bits (second 48 bits = 3 words)

Data words (after the first 51 words), which are not monitored on the LCD and not maskable by protection bits

Offset	0	1	2	3	4	5	6	7	8	9	10	11	12	13	14	15
N7:0	0	2714	0	0	0	0	0	0	0	0	0	0	0	0	0	15
N7:16	0	0	3000	0	0	0	0	0	0	0	0	0	0	0	0	15
N7:32	0	1	2	3	4	5	6	7	8	9	10	11	12	13	14	15
N7:48	2	0	-1	0	0											

- The TIF element of the LCD Function File is set to 7 to specify the integer file N7 as the target integer file to monitor on the LCD, as shown in [Figure 77](#).

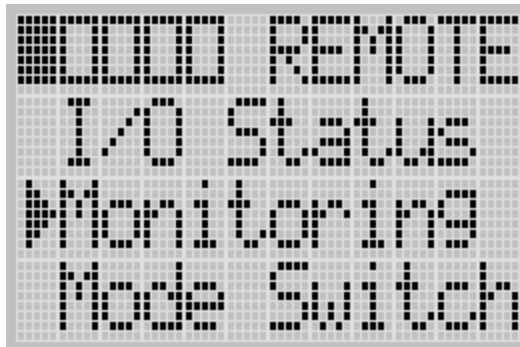
Figure 77 - LCD Function File

Address	Value	Description
LCD:0	{...}	
- CBS - Customized Boot Message String File Address Offset	0	
- SCD - Start with Customized Display	0	
- TO - Data Input Timeout of LCD Instruction(x Sec)	0	
- DN - LCD Instruction Job Done	1	
- ERR - LCD Display Operation Error Bit	0	
- ERN - LCD Module Operation Error Number	0	
- TBF - Target Bit File Number	3	
- TIF - Target Integer File Number	7	
- JOG - Jog data update Mode Set	0	
- TMIN - Trimpot Low Value	0	
- TMAX - Trimpot High Value	250	
- POT0 - Trimpot 0 Data (TMIN - TMAX)	0	
- POT1 - Trimpot 1 Data (TMIN - TMAX)	0	
- WND - Instruction Display Window	0	
- OK - OK key in Customized Display	0	
- ESC - ESC key in Customized Display	0	

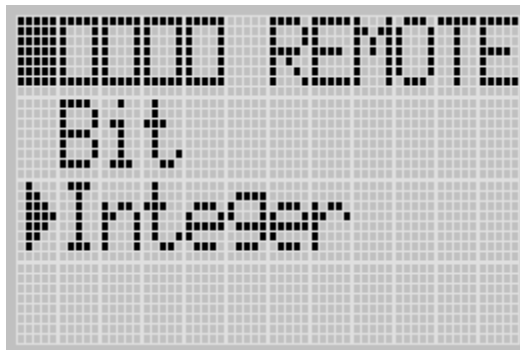
- The controller mode is set to Remote Run.

Follow these steps to view and change the data values of the integer file N7.

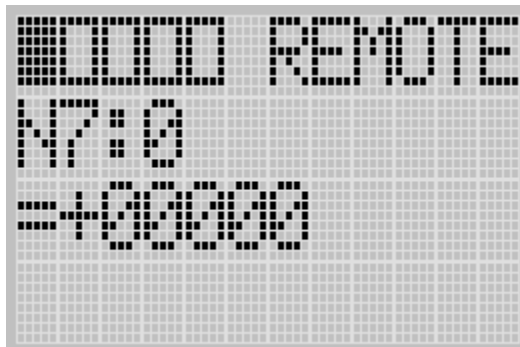
1. On the Main Menu screen, select Monitoring by using the Up and Down keys on the LCD keypad.



2. Press OK on the LCD keypad. The Bit/Integer File Select screen displays.

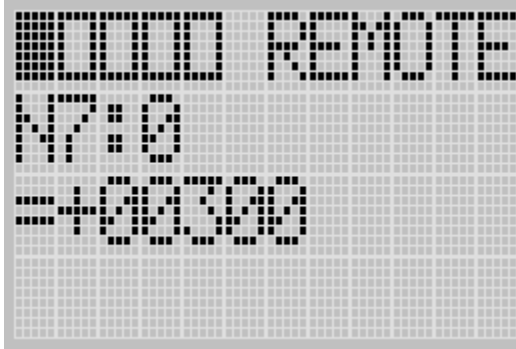


3. If Integer is selected, as shown in step 2, press OK. If not selected, press the Down key to select it, then press OK.
4. The current data value (ON) of the N7:0 word displays. The target word "0", which is right to "N7:", flashes, which means the cursor is at the target word position.



5. We change the data value of the N7:0 word to the negative decimal value -1300. First, press OK to move the cursor to the data value position. Then, the last digit of "+00000" flashes, which means the cursor is at the data value position.

6. Press the Left key twice. Then, the cursor positions at the third digit. Press the Up key three times to change the third digit to 3.



7. Press the Left key once. Then, press the Up key once. The second digit changes to "1". Note that "1" still flashes, which means the cursor is still at the data value position.



8. Press the Left key once. Then, press the Down key once. The sign digit changes to "-". Note that "-" is still flashing, which means the cursor is still at the data value position.



9. Press OK to apply the changes. Then, the new value -1300 is applied. The target word "0", which is right to "N7:", flashes. The cursor is moved automatically to the target word position.

You can identify that this change of data value is reflected to your RSLogix 500 programming software.

Offset	0	1	2	3	4	5	6	7	8	9	10	11	12	13	14	15
N7:0	-1300	2714	0	0	0	0	0	0	0	0	0	0	0	0	0	15
N7:16	0	0	3000	0	0	0	0	0	0	0	0	0	0	0	0	15
N7:32	0	1	2	3	4	5	6	7	8	9	10	11	12	13	14	15
N7:48	2	0	-1	0	0											

Symbol: Radix:
 Desc:
 Columns:



After changing the data value of a target word, press OK to apply the changes or press ESC to discard the changes.

- Now, we view the data value of a protected word N7:1. Press the Up key once. Then, the target word changes to "1" and its data value displays with the "Protected!" message. Because the N7:48/1 bit is set (1), the N7:1 word is a protected word.

```

■■■■■ REMOTE
N7:1
=+02714
Protected!
  
```

- Try to move the cursor to the data value position by pressing OK. Because the N7:1 word is protected, you find that the cursor does not move to the data value position.
- Press the Up key once to view the data value of the N7:2 word. Because the N7:2 word is not protected, only its data value, 0 in this example, is displayed without the "Protected!" message.
- Hold down the Up key until the target word becomes "47".

```

■■■■■ REMOTE
N7:47
=+00015
Protected!
  
```

Press the Up key again, and you find the target word does not change to "48". It is because the maximum range of words you can monitor with the LCD is the first 48 words of the specified target integer file.

IMPORTANT The maximum range of words you can monitor with the Integer File Monitoring functionality on the LCD is the first 48 words (0...47) of the target integer file.

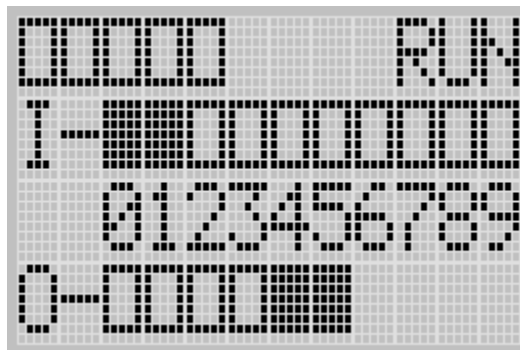
14. Try to press the Up and Down keys to change the target word to another word. Try to change its data value using the OK, Up, Down, Right and Left keys.
15. If you have finished monitoring the integer file N7, press ESC to return to the Main Menu screen, as shown in [step 2](#).

Use the Mode Switch

The MicroLogix 1100 controller provides the controller mode switch on the LCD. The possible positions of the mode switch are PROGRAM, REMOTE, and RUN. You can change mode switch position using the Mode Switch screen on the LCD. In this example, the mode switch position is set to REMOTE.



All built-in LCD screens except the Boot Message screen display the current mode switch position, at their top-right portion. In this example, the mode switch position is set to RUN.



Controller Modes

[Table 21](#) shows the possible controller modes when the mode switch positions at PROGRAM, REMOTE, or RUN. For example, if the Mode Switch is at RUN and you want to test a control program with running it for one scan, you have to first change the mode switch position to REMOTE before you run the control program in the Remote Test single scan mode with your RSLogix 500 programming software.

Table 21 - Possible Controller Modes by Mode Switch Position

When the Mode Switch Positions at	Possible Controller Modes are
PROGRAM	Download in progress
	Program mode
	Suspend mode - Operation halted by execution of the SUS instruction

Table 21 - Possible Controller Modes by Mode Switch Position (Continued)

When the Mode Switch Positions at	Possible Controller Modes are
REMOTE	Remote download in progress
	Remote program mode
	Remote suspend mode - Operation halted by execution of the SUS instruction
	Remote Run mode
	Remote Test continuous mode
	Remote Test single scan mode
RUN	Run mode

Change Mode Switch Position

Mode Switch position can be changed at two different times using the LCD keypad. One is when the controller is powered up, and the other is while the controller is powered on.

Mode Switch position can be set to either PROG or RUN when the controller is powered up. This allows the controller operation, which differs from the previous mode, that is, any program under RUN before can be stopped or any new program can be run when the controller is powered up.

To forcibly set Mode Switch to RUN when the controller is powered up:

- Press OK for 5 seconds when the controller is powered up. The following LCD screen appears if it's successfully done.



To forcibly set Mode Switch to PROG when the controller is powered up:

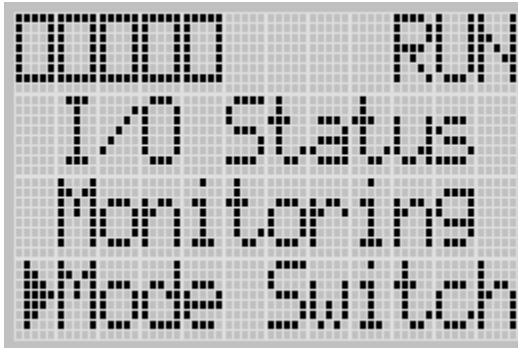
- Press ESC for 5 seconds when the controller is powered up. The following LCD screen appears if it's successfully done.



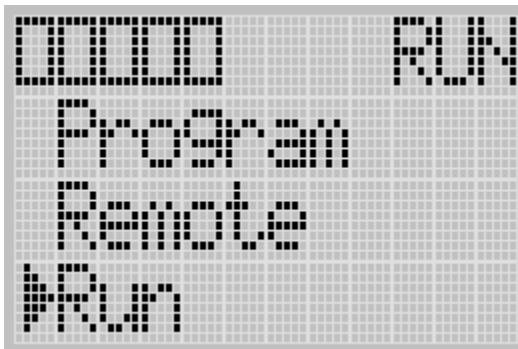
Note that I/O output status may be changed for some programs.

While the controller is powered on, follow these steps to change the position of the Mode Switch.

1. On the Main Menu screen, select Mode Switch by using the Up and Down keys on the LCD keypad.



2. Press OK on the LCD keypad. The Mode Switch screen displays.



The arrow indicates the current Mode Switch position.

3. When the Up or Down key is pressed, the mode indicated by the arrow blinks if the mode is different from the current mode of the controller. Press OK to set the controller to the mode indicated by the arrow.
4. If you have finished changing the mode switch position, press ESC to return to the Main Menu screen, as shown in [step 1](#).

Use a User-defined LCD Screen

The MicroLogix 1100 controller allows you to use user-defined LCD screens instead of the default built-in screens.

To use a user-defined screen, you must create a group of appropriate instructions using the LCD instruction in your application program. For more information on how to create a user-defined LCD screen, see the MicroLogix 1100 Programmable Controllers Instruction Set Reference Manual, publication [1763-RM001](#).

By using the User Displ menu item, you can change from the default built-in screens to a user-defined screen and back on the LCD.

User-defined LCD Screen

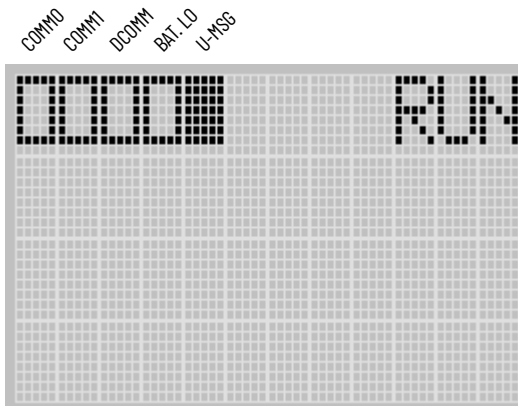
Follow these steps to display the user-defined screen implemented in your application program.

1. On the Main Menu screen, select User Displ by using the Up and Down keys on the LCD keypad. If the menu items are not displayed on the Main Menu screen, scroll down the screen by pressing the Down key.



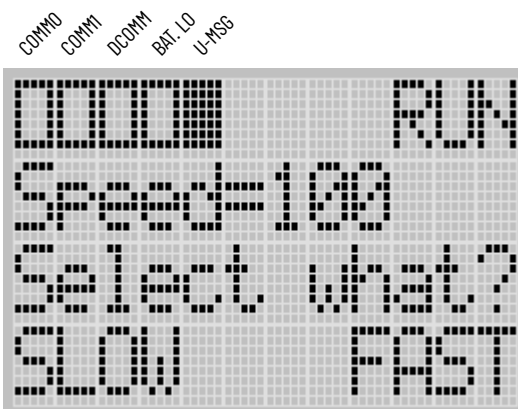
2. Press OK on the LCD keypad.

If no user-defined screen is used in your application program, the following screen displays.

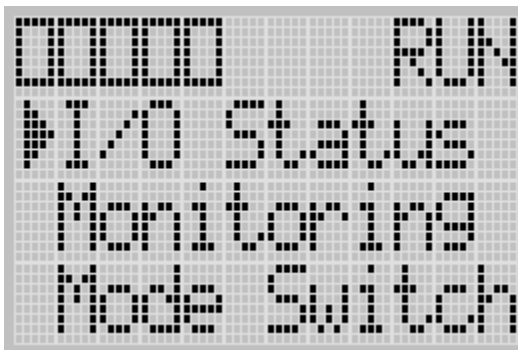


The U-MSG indicator on the top of the LCD displays as a solid rectangle. It means that the LCD is in User-defined LCD mode.

If a user-defined screen is used in your application program, the LCD screen displays, according to the specific instructions used in your program.



3. Press ESC **longer than 3 seconds** to return to the Main Menu screen.

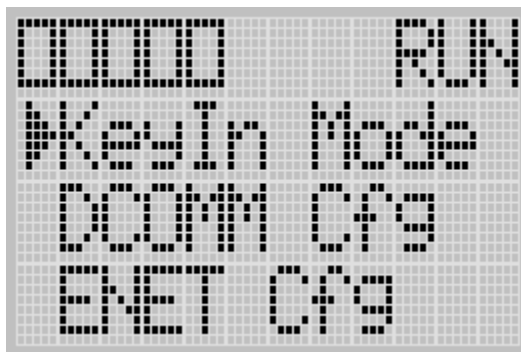


Configure Advanced Settings

With the Advanced Settings menu, which is a submenu under the main menu of the LCD, you can use the following features:

- Change Key In mode
- Use Communications Toggle functionality
- View Ethernet port configuration
- Use trimpots
- View system information
- View fault code

You can access to the Advanced Settings Menu screen by selecting Advance Set on the Main Menu screen.



Change Key In Mode

Key In Modes

There are two Key In modes, Continuous and Discrete.



The Key In mode has effect only when you change the data value of a trimpot on a trimpot screen, either Trimptot 0 or Trimptot 1 screen. For more information on how to change the data value of a trimpot, see [Changing Data Value of a Trimptot on page 97](#).

The current Key In mode determines how the value changes are applied when you press the Up and Down keys to change the data value for a trimpot. When set to Continuous, the changes apply immediately when you press the Up and Down keys. When set to Discrete, the changes apply only when you press OK after you have changed the value using the Up and Down keys.

By using the Key In Mode screen, as shown in [Figure 78](#), you can change the Key In mode to use.

Figure 78 - Key In Mode Screen



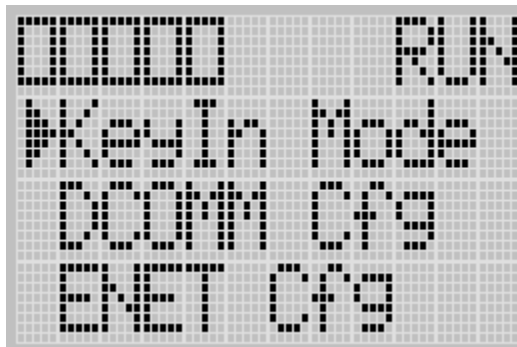
Change Key In Mode

To change the current Key In mode, perform the following:

1. On the Main Menu screen, select Advance Set by using the Up and Down keys on the LCD keypad. If the menu items are not displayed on the Main Menu screen, you must scroll down the screen by pressing the Down key.

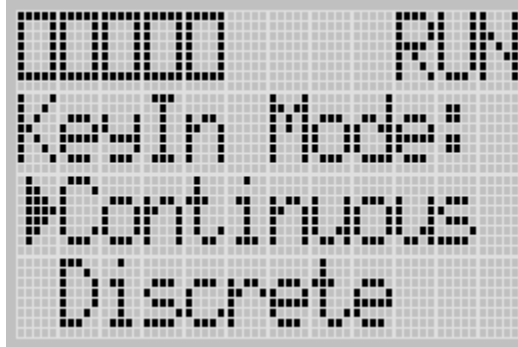


2. Press OK on the LCD keypad. The Advanced Settings Menu screen displays.

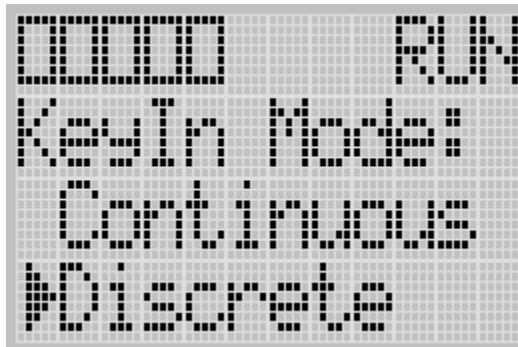


3. Select KeyIn Mode using the Up and Down keys, then press OK.

- The Key In Mode screen displays. The current mode, Continuous in this example, is selected marked up with the symbol "▶".



- Press the Up or Down key to select the different mode, Discrete in this example. Then, press OK.



- The Key In Mode Change Notification screen displays.



- Press ESC to return to the Advanced Settings Menu screen, as shown in [step 2](#).

Communications Toggle Functionality

The MicroLogix 1100 controller provides the Communications Toggle functionality, which allows you to switch between the user-defined communication configuration and the default communications mode on Channel 0. See [Use the Communications Toggle Functionality on page 52](#) for information on this feature.

Ethernet Port Configuration

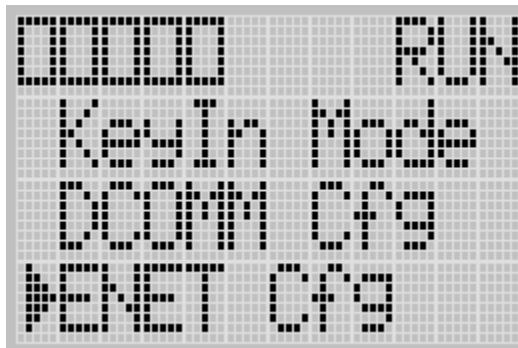
The Ethernet Port Configuration screen of the LCD displays the MAC and IP addresses assigned to the controller.

Follow these steps to view the Ethernet port configuration for your controller.

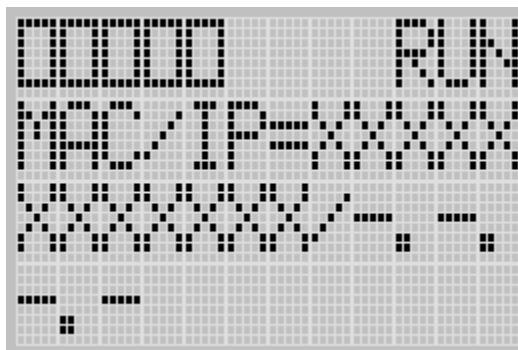
1. On the Main Menu screen, select Advance Set by using the Up and Down keys on the LCD keypad. If the menu items are not displayed on the Main Menu screen, scroll down the screen by pressing the Down key.



2. Press OK on the LCD keypad. The Advanced Settings Menu screen displays.

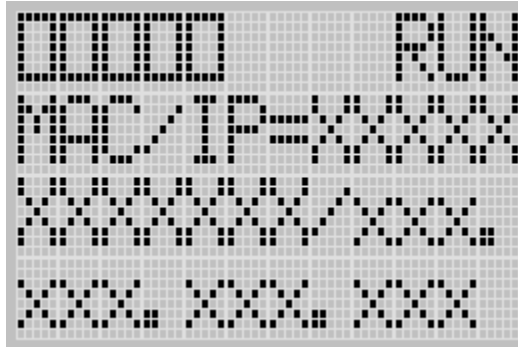


3. If ENET Cfg is selected, press OK.
If not, select ENET Cfg using the Up and Down keys, then press OK.
4. The Ethernet Port Configuration screen displays.
When an IP address is not yet assigned to your controller, only the MAC address that is assigned to your controller, which is represented as XXXXXXXXXXXX, displays.



A MAC address is a 12-digit hexadecimal number. Your controller ships with a unique MAC address assigned in the factory. You can identify the MAC address of your controller by opening the expansion module cover on your controller.

When an IP address is assigned to your controller, both of MAC address and IP address of your controller are displayed. In this example, the MAC address is represented as XXXXXXXXXXXX, which is a 12-digit hexadecimal number. The IP address is represented as xxx.xxx.xxx.xxx, where each xxx is a decimal number between 0...255.



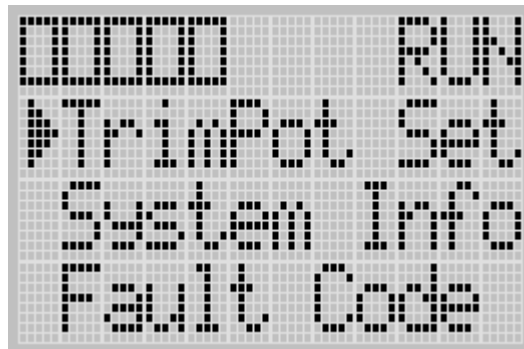
5. Press ESC to return to the Advanced Settings Menu screen, as shown in [step 2](#).

Trim pots

Trim pot Operation

The MicroLogix 1100 controller provides two trimming potentiometers (trim pots, POT0 and POT1), which allow modification of integer data within the controller. The data value of each trim pot can be used throughout the control program for timers, counters, analog presets, and so on, depending upon the requirements of the application.

You can change the data value of each trim pot using the trim pot screens that are provided by the LCD. To access the TrimPot Set screen, which is the top screen for the trim pot functionality, select TrimPot Set on the LCD default menu screen, and press OK on the LCD keypad.

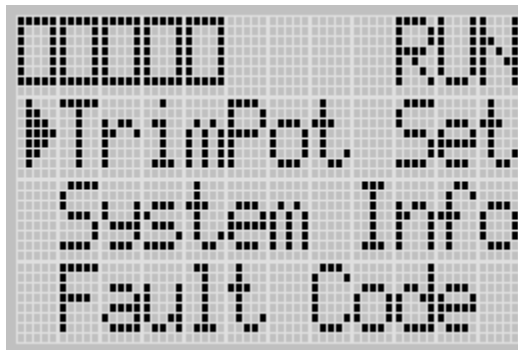


Trim pot data is updated continuously whenever the controller is powered-up.

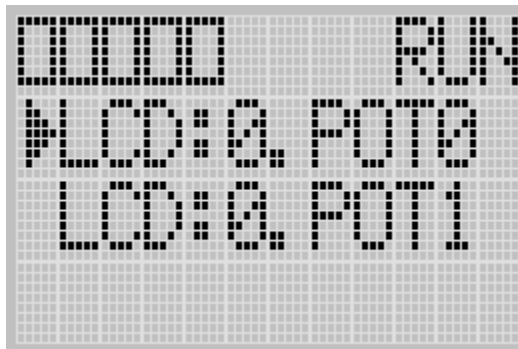
Changing Data Value of a Trimpot

Follow these steps to change the data value of a trimpot, either POTO or POT1.

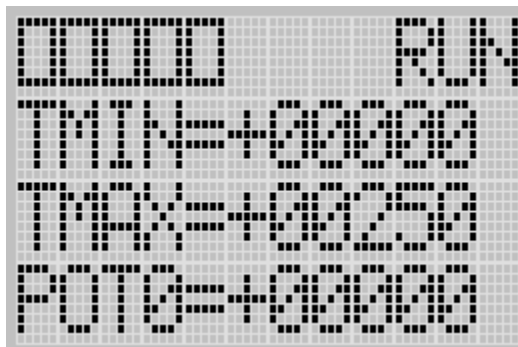
1. On the Main Menu screen, select TrimPot Set by using the Up and Down keys on the LCD keypad.



2. Press OK on the LCD keypad. The TrimPot Select screen displays.



3. Select a trimpot, either POTO or POT1, whose data value you want to change using the Up and Down keys on the LCD keypad. In this example, we select POTO.
4. Press OK on the LCD keypad. The Trimpot 0 screen displays.



TMIN and TMAX indicate the range of data values for the trimpots, both POTO and POT1. The factory default for TMIN, TMAX, and POTO values are 0, 250, and 0 in decimal, respectively. TMIN and TMAX on this screen are read-only, but you can change them using the LCD Function File in your application program. The TMIN and TMAX elements can only be changed by a program download.

For more information on how to change trimpot configurations including TMIN and TMAX, see the LCD Function File described in the MicroLogix 1100 Programmable Controllers Instruction Set Reference Manual, publication [1763-RM001](#).

IMPORTANT

The same TMIN and TMAX values are used for both trimpots, POTO and POT1. This behavior is intended by design for simplicity in the trimpot configuration.

When you enter this screen, the last digit of the POT0 value flashes. It indicates the current digit. Press the Up and Down keys on the LCD keypad to change the value of the current digit. Press the Left and Right keys to select another digit as the current digit.

If the Key In mode is set to Continuous, the changes are applied immediately after you press the Up and Down keys. While if it is set to Discrete, you have to press OK to apply the changes after you change the data value. For more information on how to set the Key In mode, see [Change Key In Mode on page 92](#).



The Key In mode has an effect only when you change the data value of a trimpot on a trimpot screen, either the Trimpot 0 or Trimpot 1 screen.

- If you have finished changing the data value of the selected trimpot, POT0 in this example, press ESC to return to the TrimPot Select screen, as shown in [step 2](#).

Trimpot Configuration in LCD Function File

The configuration for trimpots in the LCD Function File, including trimpot low and high values for data value range, is described in the MicroLogix 1100 Programmable Controllers Instruction Set Reference Manual, publication [1763-RM001](#).

Error Conditions

Error conditions regarding the trimpot functionality are described in the MicroLogix 1100 Programmable Controllers Instruction Set Reference Manual, publication [1763-RM001](#).

View System Information

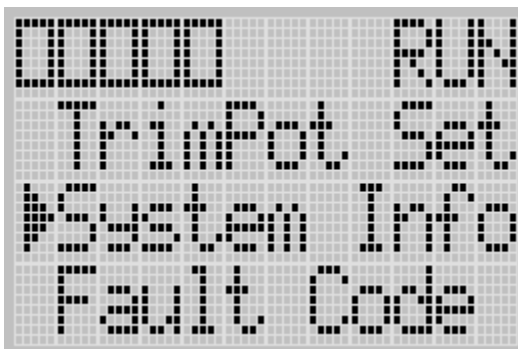
The System Information screen of the LCD allows you to identify the system information for your controller.

Follow these steps to view the system information for your controller.

- On the Main Menu screen, select Advance Set by using the Up and Down keys on the LCD keypad. If the menu items are not displayed on the Main Menu screen, scroll down the screen by pressing the Down key.



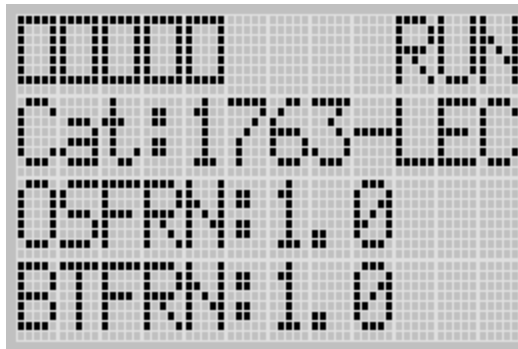
- Press OK on the LCD keypad. The Advanced Settings Menu screen displays.



- If System Info is selected, press OK. If not, select System Info using the Up and Down keys, then press OK.

- The System Information screen displays.

You can identify the catalog number, operating system firmware revision number, and boot firmware revision number of your controller.



- Press ESC to return to the Advanced Settings Menu screen, as shown in [step 2](#).

View Fault Code

The Fault Code screen of the LCD displays the fault code when a fault occurs.

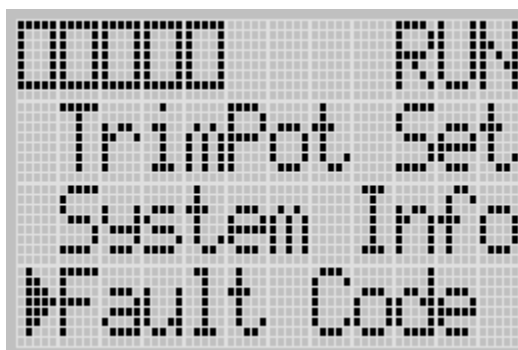
When a fault occurs, the Fault Code screen does not display automatically. Only the FAULT LED on the controller flashes in red light. Therefore, you must navigate into the Fault Code screen to identify the fault code on the LCD.

Follow these steps to view the fault code when a fault occurs.

- On the Main Menu screen, select Advance Set by using the Up and Down keys on the LCD keypad. If the menu items are not displayed on the Main Menu screen, scroll down the screen by pressing the Down key.

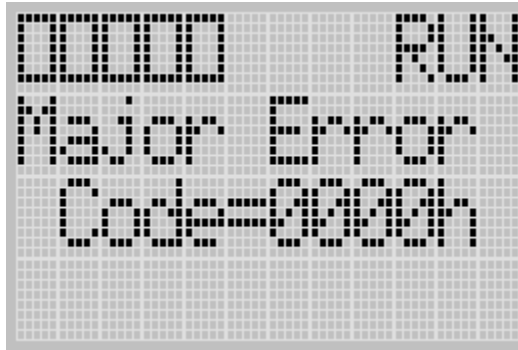


- Press OK on the LCD keypad. The Advanced Settings Menu screen displays.

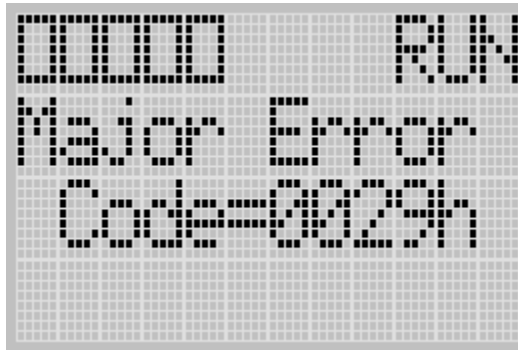


- If Fault Code is selected, press OK. If not, select Fault Code using the Up and Down keys, then press OK.
- The Fault Code screen displays.

If no fault occurred, "0000h" displays.



If a fault occurred, its fault code displays.



For more information on a specific fault code, see the Online Help of your RSLogix 500 programming software.

5. Press ESC to return to the Advanced Settings Menu screen, as shown in [step 2](#).

Use Real-time Clock and Memory Modules

The MicroLogix 1100 controller has a built-in real-time clock (RTC). You can order a memory module as an accessory.



For more information on real-time clock function file and memory module information file, see the MicroLogix 1100 Programmable Controllers Instruction Set Reference Manual, publication [1763-RM001](#).

One type of memory module is available for use with the MicroLogix 1100 controller.

Catalog Number	Function	Memory Size
1763-MM1	Memory Module	128 KB

Real-time Clock Operation

Operation at Power-up and Entering a Run or Test Mode

At power-up and when the controller enters a run or test mode, the values (date, time, and status) of the RTC are written to the RTC Function File in the controller.

[Table 22](#) indicates the accuracy of the RTC for various temperatures.

Table 22 - RTC Accuracy

Ambient Temperature	Accuracy ⁽¹⁾
0 °C (32 °F)	-13...-121 seconds/month
25 °C (77 °F)	+54...-5 seconds/month
40 °C (104 °F)	+29...-78 seconds/month
55 °C (131 °F)	-43...-150 seconds/month

(1) These numbers are maximum worst case values over a 31-day month.

Write Data to the Real-time Clock

When valid data is sent to the real-time clock from the programming device or another controller, the new values take effect immediately.

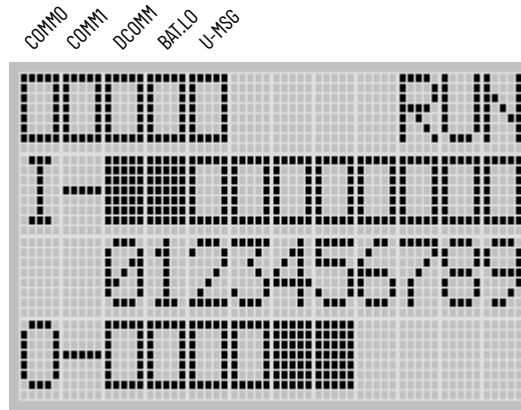
The real-time clock does not allow you to load or store invalid date or time data.

RTC Battery Operation

The real-time clock uses the same replaceable battery that the controller uses. The RTC Function File features a battery low indicator bit (RTC:0/BL), which shows the status of the replacement battery. When the battery is low, the indicator bit is set (1). This means that the battery wire connector could be disconnected or if the battery is connected, the battery may be ready to fail in the next two weeks. In the latter case, the replacement battery must be replaced with a new one. When the battery low indicator bit is clear (0), the battery level is acceptable.

The Battery Low (BAT.LO) indicator on the LCD display of the controller also shows the status of the replaceable battery. When the battery is low, the indicator displays as a solid rectangle (■). When the battery level is acceptable, the indicator displays as an empty rectangle (□), as shown in [Figure 79](#).

Figure 79 - LCD Battery Level Indicator



If the RTC battery is low and the controller is powered, the RTC operates normally. If the controller power is removed and the RTC battery is low, RTC data is lost.



ATTENTION: Operating with a low battery indication for more than 14 days (8 hours without a battery) may result in invalid RTC data unless power is on continuously.

Memory Module Operation

The memory module supports the following features:

- User Program, User Data, and Recipe Back-up
- User Program Compare
- Data File Download Protection
- Memory Module Write Protection
- Removal/Insertion Under Power
- Memory Module Information File
- Program/Data Download
- Program/Data Upload



ATTENTION: Electrostatic discharge can damage the memory module. Do not touch the connector pins or other sensitive areas.

User Program, User Data, and Recipe Back-up

The memory module provides a simple and flexible program, data and recipe transport mechanism, allowing the user to transfer the program, data, and recipe to the controller without the use of a personal computer and programming software.

The memory module can store one user program at a time.

During program transfers to or from the memory module, the controller’s RUN LED flashes.

Program Compare

The memory module can also provide application security, allowing you to specify that if the program stored in the memory module does not match the program in the controller, the controller will not enter an executing (run or test) mode. To enable this feature, set the S:2/9 bit in the system status file. See “Status System File” in the MicroLogix 1100 Programmable Controllers Instruction Set Reference Manual, publication [1763-RM001](#) for more information.

Data File Download Protection

The memory module supports data file download protection. This allows user data to be saved (not overwritten) during a download.



Data file download protection is only functional if the processor does not have a fault, the size of all protected data files in the memory module exactly match the size of protected data files within the controller, and all protected data files are of the same type. See “Protecting Data Files During Download” in the MicroLogix 1100 Programmable Controllers Instruction Set Reference Manual, publication [1763-RM001](#).

Memory Module Write Protection

The memory module supports write-once, read-many behavior. Write protection is enabled using your programming software.

IMPORTANT Once set, write protection cannot be removed. A change cannot be made to the control program stored in a write-protected memory module. If a change is required, use another memory module.

Removal/Insertion Under Power

The memory module can be installed or removed at any time without risk of damage to either the memory module or the controller, except during a data transaction. If the memory module is removed during a data transaction, data corruption can occur.

If a memory module is installed while the MicroLogix 1100 controller is executing, the memory module is not recognized until either a power cycle occurs, or until the controller is placed in a non-executing mode (program mode, suspend mode, or fault condition).

Memory Module Information File

The controller has a Memory Module Information (MMI) File, which provides status from the attached memory module. At power-up or on detection of a memory module being inserted, the catalog number, series, revision, and type are identified and written to the MMI file. If a memory module is not attached, zeros are written to the MMI file. See the MicroLogix 1100 Programmable Controllers Instruction Set Reference Manual, publication [1763-RM001](#), for more information.

Program/Data Download

To download the program and data from a memory module to the controller’s memory, on the “Comms” menu in your RSLogix 500 programming software, point “EEPROM” and then select “Load from EEPROM”.



For more information on program/data download, see your RSLogix 500 programming software documentation.

Program/Data Upload

To upload the program and data from the controller’s memory to a memory module, on the “Comms” menu in your RSLogix 500 programming software, point “EEPROM” and then select “Store to EEPROM”.



For more information on program/data upload, see your RSLogix 500 programming software documentation.

Notes:

Online Editing

Overview of Online Editing

Online editing of ladder programs is available when using MicroLogix 1100 controller. Use this function to make changes to a pre-existing ladder program. Online editing functions consist of inserting, replacing, and deleting rungs in an existing ladder program while online with the processor.

Only one programming device can perform an online edit of a user program at a time. When an online editing session begins, an access from other programming devices are rejected by the MicroLogix 1100 controller.



ATTENTION: Before initiating an online editing session, we recommend that you fully understand the possible results of the edit to the system under control. Failure to properly edit a running program could result in unexpected controller operation. Physical injury or equipment damage may result. While three instructions, MSG, PTO, and PWM, are supported by program mode online edit, they are not supported by RUNTIME (RUN mode) online edit. See the MicroLogix 1100 Programmable Controllers Instruction Set Reference Manual, publication [1763-RM001](#) for additional details.

[Table 23](#) summarizes the differences between offline and online editing.

Table 23 - Differences Between Offline and Online Editing

Offline	Online
No restrictions exist. Full editing capabilities are allowed.	Data table file resizing is not permitted.
	Program file creation and deletion are not permitted.
	Alteration of file protection is not permitted.
	Alteration of static and constant data file values is not permitted.
	Indexing across file boundary selections is not permitted.
	Force protection selection is not permitted.
	I/O configuration is not permitted.

IMPORTANT It is important to keep in mind that some ladder instructions, when programmed online, cause data table values to change. These instructions are those that require timer, counter, and control addresses to be specified. This is discussed later in the chapter.

Online Editing Terms

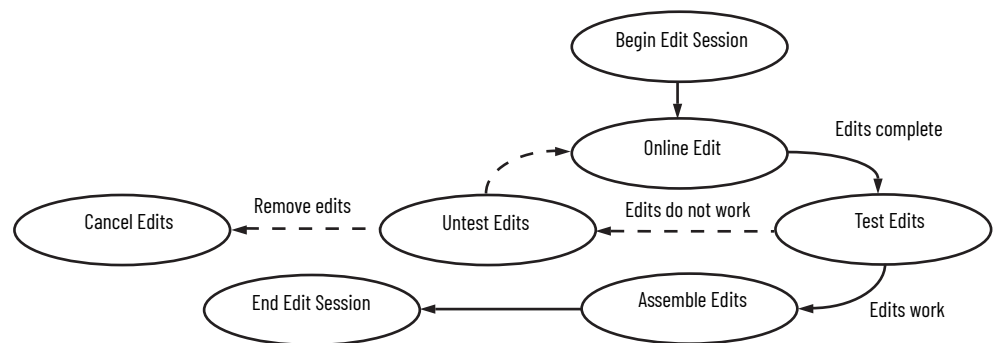
The following terms are used throughout this chapter.

- **Assemble edits** – Deletes any rungs marked with Delete or Replace edit zone markers during an online editing session. Inserted or modified rungs remain. All edit zone markers are removed when this function is complete.
- **Cancel edits** – Deletes any inserted or modified rungs added during an online editing session. Rungs marked with Delete and Replace edit zone markers remain. All edit zone markers are removed when this function is complete.
- **Test edits** – Allows you to verify that the changes you entered are not going to cause improper machine operation before you make the changes a permanent part of your ladder program.
- **Untest edits** – Allows you to disable testing

- **Edit zone markers** – Appear on the power rail of the ladder program display. They indicate the type of edit taking place on the rung.
- **Accept rung** – Incorporates the edits of a rung into the ladder program
- **Online edit session** – Begins when a user tries to edit rungs while online. Any other programming device that was monitoring the user program is removed from the program monitor display.
- **Modify rung** – When an existing rung is modified two edit zones are created. The original rung is indicated by replace zone markers on the power rail. A copy of the original rung is made so you can insert, delete, or modify instructions. This rung is indicated by insert zone markers on the power rail. Thus, an IR pair is created when you modify a rung.
- **Runtime online editing** – The user program is executing when an edit takes place. Any rungs that are inserted, modified, or deleted remain in the ladder program and are indicated by edit zone markers on the power rail. Edit zone markers remain after an action is completed.
- **Program online editing** – The user program is not executing when an edit session begins. Any action that inserts, deletes, or modifies a rung takes place immediately.

[Figure 80](#) shows the process that is involved when performing a runtime online edit.

Figure 80 - Online Edit Runtime Process



Effects of Online Editing On Your System

The following section covers the effects of online editing on your system. Keep these items in mind while using the online editing function.

System Impacts

The scan time and interrupt latency can be extended when accepting a rung, assembling, or canceling edits.

Memory limitations – Online edit can be performed until there is insufficient program memory available in the processor. Note that, before assemble edits, all edited rungs are in the processor memory consuming memory, although they are not executed.

Data Table File Size

Online editing cannot change the size of existing data tables nor can new ones be created. However, some ladder instructions, when programmed cause data table values to change. These instructions are those that require timer, counter, and control addresses to be specified.

Online Edit Error

If either electrical interference, communication loss, or a power cycle occur during an online edit session, program integrity may be impacted. In this case, the controller generates the 1F fault code, clears the user program, and loads the default program.

Directions and Cautions for MicroLogix 1100 Online Edit User

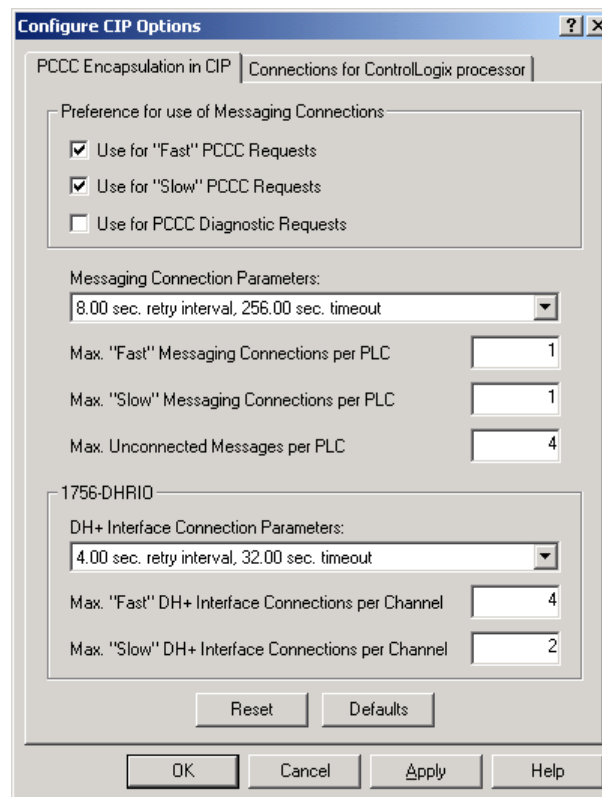
Change the RSLinx "Configure CIP Option" (OS Series A FRN 1, 2, and 3 only)

Change the RSLinx "Configure CIP Option" to prevent ownership fault when a MicroLogix 1100 controller is connected using the RSLinx® Classic EtherNet/IP driver.

Several RSLogix 500 Online operations require obtaining the processor Edit Resource/ Processor Ownership to confirm that one programming terminal has exclusive capability of performing any of these operations at a time. These operations include downloading, online editing, and applying channel configuration changes.

In addition to reducing the number of RSLinx Messaging Connections per PLC to one, it is also recommended that the Messaging Connection Retry Interval be increased from the default of 1.25 seconds to 8 seconds as shown in [Figure 81](#).

Figure 81 - Increase Message Connection Retry Interval



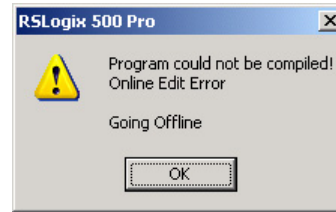
A Download is Required Before Starting Online Editing

At least one download is required before starting online editing.

If you are using a MicroLogix 1100 controller from the out-of-box state or after clearing the processor memory or a firmware update, at least one download is required before starting online edits. If not, an error occurs and the programming software goes offline due to default image mismatch between the RSLogix 500 programming software and the MicroLogix 1100 controller. You can also see the fault code 1Fh, which is a user-defined fault code.

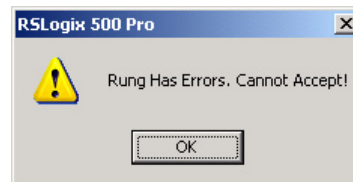
To help prevent this error, you must download the program to the MicroLogix 1100 controller, although the program is empty.

This problem happens only in the out-of-box state or after clearing processor memory.



ATTENTION: PTO and PWM instructions may not be deleted during runtime online edit. This is because if the PTO or PWM instructions were deleted during runtime online edit, outputs could stop in an unpredictable state, causing unexpected equipment operation.

If you attempt to insert or modify a rung with MSG, PTO, and PWM instruction, the following error message is generated by the programming software “Error: Online editing of PTO, PWM, and MSG are not allowed on ML1100 RUN mode.” And, the rung with MSG, PTO, and PWM instruction is not accepted.



In online edit during PROGRAM mode (program online edit), there are no restrictions. For example, a user can insert an MSG instruction if a related MG file or MG/RI file is already defined in the data file.



ATTENTION: When editing a rung that contains an MCR instruction, both the MCR start and MCR end rungs must be edited (whether it be test/assemble/cancel) simultaneously. We recommend that you fully understand the possible results of the edit to the system under control. Failure to properly edit a running program could result in unexpected controller operation. Physical injury or equipment damage may result.



ATTENTION: If you use EII or STI interrupts and your application requires a quick interrupt latency, the online edit feature is not recommended. The online editing feature may increase the interrupt latency response time. To achieve minimum interrupt latency, place the mode switch in the LCD screen in the RUN mode. This prevents the use of the online editing feature.

Types of Online Editing

The type of online editing is dependent on the MicroLogix 1100 controller’s mode switch position in the LCD display and the processor’s mode. There are two types of online editing:

- Program Online Editing – When the controller is in either PROG mode or REM Program mode
- Runtime Online Editing – When the controller is in either REM Test or REM Run mode

[Table 24](#) summarizes the MicroLogix 1100 controller mode switch positions in the LCD and modes that enable online editing.

Table 24 - Mode Switch Positions

Mode Switch Position	MicroLogix 1100 Controller Mode	Editing Mode
RUN	Run	Not Available
PROGm	Program	Program Online Editing
REMote	Remote Program	Program Online Editing
REMote	Remote Test	Program Online Editing
REMote	Remote Run	Program Online Editing

IMPORTANT Online editing is not available when the mode switch in the LCD screen is in the RUN position.



ATTENTION: Use the online editing function while in RUN mode to make minor changes to the ladder program. We recommend developing your program offline since ladder rung logic changes take effect immediately after testing your edits. Improper machine operation may occur, causing personnel injury or equipment damage.

Edit Functions in Runtime Online Editing

During a runtime online editing session, the processor is executing ladder logic. The edit zone markers tell the processor that changes exist, but the changes are not executed until you test the edits.

Deleted and replaced (modified) rungs are not removed from the program and inserted rungs are not executed until you assemble the edits.

Edit Functions in Program Online Editing

During a program online editing session, the processor is not executing ladder logic. This mode is like the offline editing mode. If a runtime online editing session was performed before entering the offline editing mode, edit marked rungs (I, IR, and D) appear in the program.

If you perform a program online edit, once you accept or delete the rung, the edits take effect immediately and the power rail is displayed as a solid line. If you edit a rung with edit zone markers, the markers are removed when the rung is accepted.

Notes:

Specifications

MicroLogix 1100 Controller Specifications

General Specifications

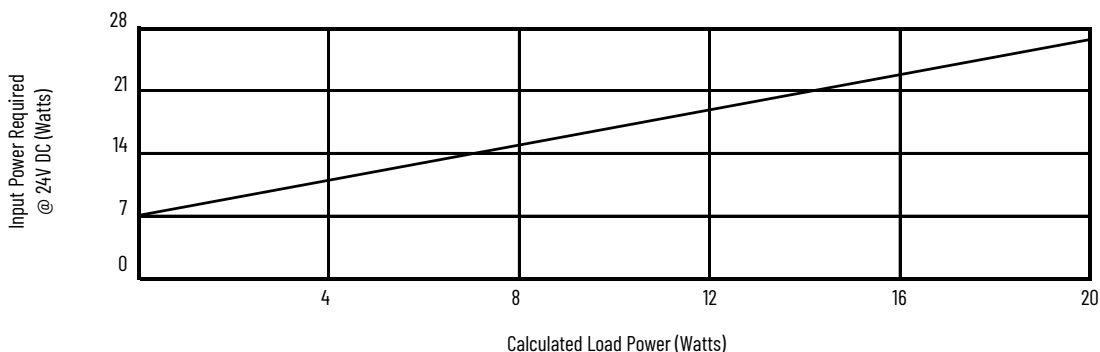
Description	1763-L16AWA	1763-L16BWA	1763-L16BBB	1763-L16DWD
Dimensions, HxWxD	90 x 110 x 87 mm 3.5 x 4.33 x 3.43 in. Height is 104 mm (4.09 in.) with DIN latch open			
Shipping weight	0.9 kg (2.0 lbs)			
Number of I/O	12 inputs (10 digital and 2 analog) and 6 outputs			
Power supply voltage	100...240V AC (-15%, +10%) @ 47...63 Hz		24V DC (-15%, +10%) Class 2 SELV	12...24V DC (-15%, +10%) Class 2 SELV
Heat dissipation	See System Loading and Heat Dissipation on page 165			
Power supply inrush current, max	120V AC: 25 A for 8 ms 240V AC: 40 A for 4 ms		24V DC: 15 A for 20 ms	
Maximum power consumption	46VA	52VA	35 W See Figure 82	
24V DC sensor power	None	250 mA @ 24V DC AC Ripple < 500 mV peak-to-peak 400 µF max	None	
Input circuit type	Digital: 120V AC Analog: 0...10V DC	Digital: 24V DC sinking/sourcing (standard and high-speed) Analog: 0...10V DC	Digital: 24V DC sinking/sourcing (standard and high-speed) Analog: 0...10V DC	
Output circuit type	Relay	Relay	Relay/FET	Relay
Pilot duty rating	Ordinary location - B300, R150 Hazardous location - C300, R150			
Temperature, operating	-20...+65 °C (-4...+149 °F) ambient			
Temperature, storage	-40...+85 °C (-40...+185 °F) ambient			
Relative humidity	5%...95% noncondensing			
Vibration	Operating: 10...500 Hz, 5 g, 0.015 in. max peak-to-peak, 2 hours each axis Relay Operation: 1.5 g			
Shock, operating	30 g; 3 pulses each direction, each axis Relay Operation: 10 g			
Shock, nonoperating	50 g panel mounted (40 g DIN Rail mounted); 3 pulses each direction, each axis			
Terminal screw torque	0.56 N•m (5.0 lb•in) rated			
Agency certification	UL Listed Industrial Control Equipment for use in Class 1 Division 2, Hazardous Locations, Groups A, B, C, D			
	cUL Listed Industrial Control Equipment for use in Canada			
	CE marked for all applicable directives			
	RCM marked for all applicable acts			
ESD immunity	EN 61000-4-2 4 kV contact, 8 kV air, 4 kV indirect			
Radiated RF immunity	EN 61000-4-3 10V/m, 26...1000 MHz (alternatively, 80...1000 MHz), 80% amplitude modulation, +900 MHz keyed carrier			
Fast transient immunity	EN 61000-4-4 2 kV, 5 kHz Communications cables such as Ethernet, RS-232, and RS-485: 1 kV, 5 kHz			

General Specifications (Continued)

Description	1763-L16AWA	1763-L16BWA	1763-L16BBB	1763-L16DWD
Surge transient immunity	EN 61000-4-5 Unshielded communications cable: 2 kV CM (common mode), 1 kV DM (differential mode) Shielded communications cable: 1 kV galvanic gun I/O: 2 kV CM (common mode), 1 kV DM (differential mode) AC power supply input: 4 kV CM (common mode), 2 kV DM (differential mode) DC power supply input: 500V CM (common mode), 500V DM (differential mode) AC/DC auxiliary output: 500V CM (common mode), 500V DM (differential mode)			
Conducted RF immunity	EN 61000-4-6 10V, 150 kHz...80 MHz			
Conducted emissions	EN 55011 AC power supply input: 150 kHz...30 MHz			
Radiated emissions	EN 55011 30...1000 MHz			
Line related tests	EN 61000-4-11 AC power supply input: • Voltage drop: -30% for 10 ms, -60% for 100 ms • Voltage interrupt: at voltage greater than -95% for 5 s • Voltage fluctuation: +10% for 15 min, -10% for 15 min DC power supply input: Voltage fluctuation: +20% for 15 min, -20% for 15 min			

Figure 82 - MicroLogix 1100 DC Input Power Requirements for 1763-L16BBB and 1763-L16DWD Unit

1763-L16BBB and 1763-L16DWD Typical Power Requirements



Digital Input Specifications

Description	1763-L16AWA	1763-L16BWA, 1763-L16BBB	
		Inputs 0...3 (4 high-speed DC inputs)	Inputs 4 and Higher (6 standard DC inputs)
On-state voltage range	79...132V AC	14...24V DC 14...26.4V DC (+10%) @ 65 °C/149 °F 14...30V DC (+25%) @ 30 °C/86 °F	10...24V DC 10...26.4V DC (+10%) @ 65 °C/149 °F 10...30V DC (+25%) @ 30 °C/86 °F
Off-state voltage range	0...20V AC	0...5V DC	
Operating frequency	47 Hz...63 Hz	0 Hz...20 kHz 0 Hz...40 kHz ⁽¹⁾	0 Hz...1 kHz (scan time dependent)
On-state current: Min Nom Max	5.0 mA @ 79V AC 12 mA @ 120V AC 16.0 mA @ 132V AC	2.5 mA @ 14V DC 9.8 mA @ 24V DC 12.0 mA @ 30V DC	2.0 mA @ 10V DC 8.5 mA @ 24V DC 12.0 mA @ 30V DC
Off-state leakage current, max	2.5 mA	1.5 mA	
Nominal impedance	12 kΩ @ 50 Hz 10 kΩ @ 60 Hz	3.1 kΩ	3.1 kΩ
Inrush current @ 120V AC, max	250 mA	Not applicable	

(1) OS series B FRN 4 or later

Digital Input Specifications for 1763-L16DWD

Description	1763-L16DWD	
	Inputs 0...3 (4 high-speed DC inputs)	Inputs 4 and Higher (6 standard DC inputs)
On-state voltage range	10...24V DC @ 65 °C/149 °F 10...30V DC @ 30 °C/86 °F	
Off-state voltage range	0...5V DC	
Operating frequency	0 Hz...40 kHz ⁽¹⁾	0 Hz...1 kHz
On-state current: Min Nom Max	2.0 mA @ 10V DC 8.5 mA @ 24V DC 12.0 mA @ 30V DC	
Off-state leakage current, max	1.5 mA	
Nominal impedance	2.61 kΩ	3.1 kΩ
Maximum inrush current	Not applicable	

(1) OS series B FRN 4 or later

Analog Input Specifications

Description	1763-L16AWA, 1763-L16BWA, 1763-L16BBB, 1763-L16DWD
Voltage input range	0...10.0V DC, -1 LSB
Type of data	10-bit unsigned integer
Input coding (0...10.0V DC, -1 LSB)	0...+1,023
Voltage input impedance	210 kΩ
Input resolution	10 bit
Non-linearity	±1.0% of full scale
Overall accuracy -20...+65 °C (-4...+149 °F)	±1.0% of full scale
Voltage input overvoltage protection	10.5V DC
Field wiring to logic isolation	Non-isolated with logic

Output Specifications For Hazardous Locations Applications (Class I Division 2, Groups A, B, C, D) - General

Description	1763-L16AWA, 1763-L16BWA, 1763-L16DWD	1763-L16BBB
Relay and FET Outputs		
Maximum controlled load	1080VA	360VA
Maximum Continuous Current		
Current per group common	3 A	3 A
Current per controller	@ 150V max	18 A or a total of per-point loads, whichever is less
	@ 240V max	18 A or a total of per-point loads, whichever is less
Relay Outputs		
Turn on time/Turn off time, max	10 ms ⁽¹⁾	
Relay life - Electrical (Resistive Load)	See Figure 83	
Relay life - Mechanical	10,000,000 cycles	
Load current, min	10 mA	

(1) Scan time dependent

Relay Contact Ratings⁽¹⁾

Maximum Volts	Amperes		Amperes Continuous	Voltamperes	
	Make	Break		Make	Break
240V AC ⁽²⁾	7.5 A	0.75 A	2.5 A	1800VA	180VA
120V AC ⁽³⁾	15.0 A	1.5 A	2.5 A	1800VA	180VA
125V DC ⁽⁴⁾	0.22 A		1.0 A	28VA	

(1) Pilot Duty Rating: (ordinary location) – B300, R150. (hazardous location) – C300, R150.

(2) For AC voltage applications lower than 240V AC but higher than 120V AC, the maximum make and break ratings are to be obtained by dividing the voltampere rating by the application voltage.

(3) For AC voltage applications lower than 120V AC, the maximum make current is to be the same as for 120V AC, and the maximum break current is to be obtained by dividing the break voltampere rating by the application voltage, but the currents are not to exceed the thermal continuous current.

(4) For DC voltage applications lower than 125V DC, the make/break ampere rating for relay contacts can be determined by dividing the voltampere rating by the applied DC voltage but the current values are not to exceed the thermal continuous current.



ATTENTION: Do not exceed the “Current per group common” specification.

Output Specifications For Ordinary (Non-Hazardous) Locations only - General

Description	1763-L16AWA, 1763-L16BWA, 1763-L16DWD	1763-L16BBB
Relay and FET Outputs		
Maximum controlled load	1440VA	720VA
Maximum Continuous Current		
Current per group common	5 A ⁽¹⁾	5 A
Current per controller	@ 150V max	30 A or a total of per-point loads, whichever is less
	@ 240V max	20 A or a total of per-point loads, whichever is less
Relay Outputs		
Turn on time/Turn off time, max	10 ms ⁽²⁾	
Relay life - Electrical (Resistive Load)	See Figure 83	
Relay life - Mechanical	10,000,000 cycles	
Load current, min	10 mA	

(1) 3.0 A above 40 °C (104 °F)

(2) Scan time dependent

Relay Contact Ratings⁽¹⁾

Maximum Volts	Amperes		Amperes Continuous	Voltamperes	
	Make	Break		Make	Break
240V AC ⁽²⁾	15.0 A	1.5 A	5.0 A ⁽³⁾	3600VA	360VA
120V AC ⁽⁴⁾	30.0 A	3.0 A		3600VA	360VA
125V DC ⁽⁵⁾	0.22 A		1.0 A	28VA	

(1) Pilot Duty Rating: (ordinary location) – B300, R150. (hazardous location) – C300, R150.

(2) For AC voltage applications lower than 240V AC but higher than 120V AC, the maximum make and break ratings are to be obtained by dividing the voltampere rating by the application voltage.

(3) 3.0 A above 40 °C (104 °F).

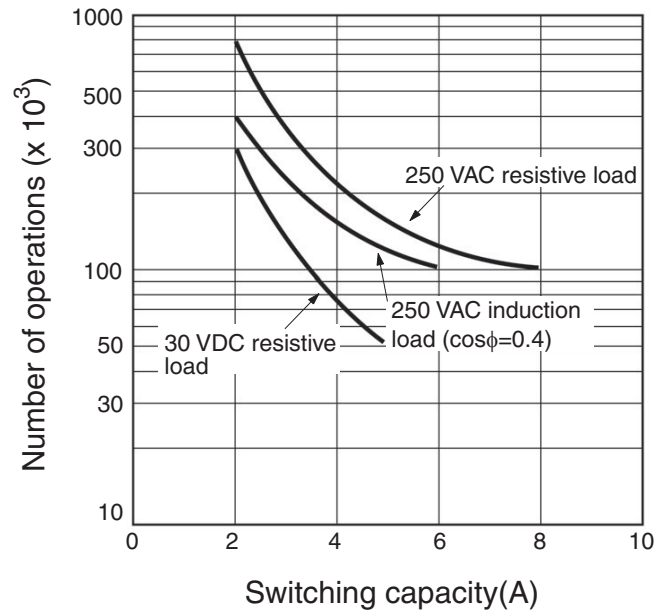
(4) For AC voltage applications lower than 120V AC, the maximum make current is to be the same as for 120V AC, and the maximum break current is to be obtained by dividing the break voltampere rating by the application voltage, but the currents are not to exceed the thermal continuous current.

(5) For DC voltage applications lower than 125V DC, the make/break ampere rating for relay contacts can be determined by dividing the voltampere rating by the applied DC voltage but the current values are not to exceed the thermal continuous current.



ATTENTION: Do not exceed the “Current per group common” specification.

Figure 83 - Relay Life Chart

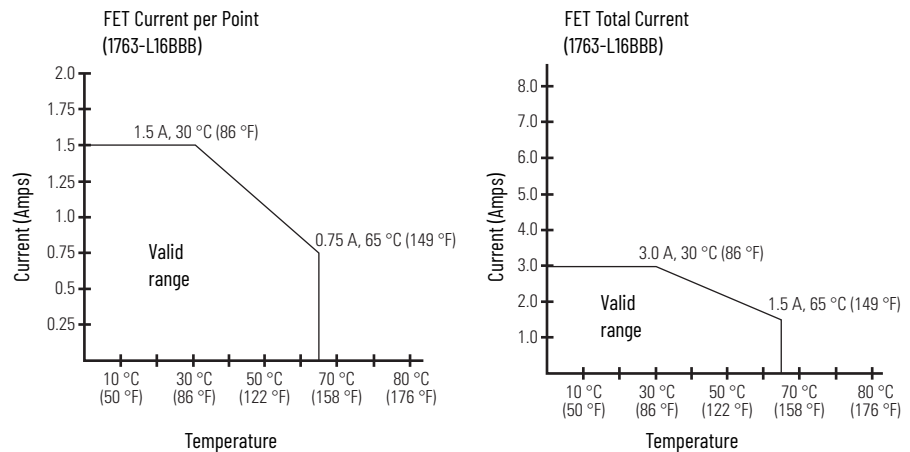


BBB FET Output Specifications

Description	General Operation	High-speed Operation ⁽¹⁾ (Output 2 and 3 Only)
Power supply voltage	24V DC (-15%, +10%)	
On-state voltage drop: @ maximum load current @ maximum surge current	1V DC 2.5V DC	Not applicable Not applicable
Current rating per point: Maximum load Minimum load Maximum leakage	See Figure 84 1.0 mA 1.0 mA	100 mA 10 mA 1.0 mA
Surge current per point: Peak current Maximum surge duration Maximum rate of repetition @ 30 °C (86 °F) Maximum rate of repetition @ 55 °C (131 °F)	4.0 A 10 ms Once every second Once every 2 seconds	Not applicable Not applicable Not applicable Not applicable
Turn-on time, max	0.1 ms	6 μs
Turn-off time, max	1.0 ms	18 μs
Repeatability, max	Not applicable	2 μs
Drift, max	Not applicable	1 μs per 5 °C (9 °F)

(1) Outputs 2 and 3 are designed to provide increased functionality over the other FET outputs. Output 2 and 3 may be used like the other FET transistor outputs, but in addition, within a limited current range, they may be operated at a higher speed. Outputs 2 and 3 also provide a pulse train output (PTO) or pulse-width modulation output (PWM) function.

Figure 84 - Maximum Output Current (Temperature Dependent)



AC Input Filter Settings

Nominal Filter Setting (ms)	ON Delay (ms)		OFF Delay (ms)	
	Minimum	Maximum	Minimum	Maximum
8	2	20	10	20

High-speed DC Input Filter Settings (Inputs 0...3)

Nominal Filter Setting (ms)	ON Delay (ms)		OFF Delay (ms)		Maximum Counter Frequency (Hz) 50% Duty Cycle
	Minimum	Maximum	Minimum	Maximum	
0.0125	0.005	0.0125	0.003	0.0085	40.0 kHz ⁽¹⁾
0.025	0.005	0.025	0.005	0.025	20.0 kHz
0.075	0.040	0.075	0.045	0.075	6.7 kHz
0.100	0.050	0.100	0.060	0.100	5.0 kHz
0.250	0.170	0.250	0.210	0.250	2.0 kHz
0.500	0.370	0.500	0.330	0.500	1.0 kHz
1.00	0.700	1.000	0.800	1.000	0.5 kHz
2.000	1.700	2.000	1.600	2.000	250 Hz
4.000	3.400	4.000	3.600	4.000	125 Hz
8.000 ⁽²⁾	6.700	8.000	7.300	8.000	63 Hz
16.000	14.000	16.000	14.000	16.000	31 Hz

(1) OS series B FRN 4 or later
 (2) This is the default setting.

Standard DC Input Filter Settings (Inputs 4 and Higher)

Nominal Filter Setting (ms)	ON Delay (ms)		OFF Delay (ms)		Maximum Frequency (Hz) 50% Duty Cycle
	Minimum	Maximum	Minimum	Maximum	
0.500	0.090	0.500	0.020	0.500	1.0 kHz
1.000	0.500	1.000	0.400	1.000	0.5 kHz
2.000	1.100	2.000	1.300	2.000	250 Hz
4.000	2.800	4.000	2.700	4.000	125 Hz
8.000 ⁽¹⁾	5.800	8.000	5.300	8.000	63 Hz
16.000	11.000	16.000	10.000	16.000	31 Hz

(1) This is the default setting.

Working Voltage - 1763-L16AWA

Description	1763-L16AWA
Power supply input to backplane isolation	Verified by one of the following dielectric tests: 1836V AC for 1 s or 2596V DC for 1 s 265V AC Working Voltage (IEC Class 2 reinforced insulation)
Input group to backplane isolation	Verified by one of the following dielectric tests: 1517V AC for 1 s or 2145V DC for 1 s 132V AC Working Voltage (IEC Class 2 reinforced insulation)
Input group to input group isolation	Verified by one of the following dielectric tests: 1517V AC for 1 s or 2145V DC for 1 s 132V AC Working Voltage (basic insulation)
Output group to backplane isolation	Verified by one of the following dielectric tests: 1836V AC for 1 s or 2596V DC for 1 s 265V AC Working Voltage (IEC Class 2 reinforced insulation)
Output group to output group isolation	Verified by one of the following dielectric tests: 1836V AC for 1 s or 2596V DC for 1 s 265V AC Working Voltage (basic insulation) 150V AC Working Voltage (IEC Class 2 reinforced insulation)

Working Voltage - 1763-L16BWA

Description	1763-L16BWA
Power supply input to backplane isolation	Verified by one of the following dielectric tests: 1836V AC for 1 s or 2596V DC for 1 s 265V AC Working Voltage (IEC Class 2 reinforced insulation)
Input group to backplane isolation and input group to input group isolation	Verified by one of the following dielectric tests: 1200V AC for 1 s or 1697V DC for 1 s 75V DC Working Voltage (IEC Class 2 reinforced insulation)
Output group to backplane isolation	Verified by one of the following dielectric tests: 1836V AC for 1 s or 2596V DC for 1 s 265V AC Working Voltage (IEC Class 2 reinforced insulation)
Output group to output group isolation	Verified by one of the following dielectric tests: 1836V AC for 1 s or 2596V DC for 1 s 265V AC Working Voltage (basic insulation) 150V Working Voltage (IEC Class 2 reinforced insulation)

Working Voltage - 1763-L16BBB

Description	1762-L16BBB
Input group to backplane isolation and input group to input group isolation	Verified by one of the following dielectric tests: 1200V AC for 1 s or 1697V DC for 1 s 75V DC Working Voltage (IEC Class 2 reinforced insulation)
FET output group to backplane isolation	Verified by one of the following dielectric tests: 1200V AC for 1 s or 1697V DC for 1 s 75V DC Working Voltage (IEC Class 2 reinforced insulation)
Relay output group to backplane isolation	Verified by one of the following dielectric tests: 1836V AC for 1 s or 2596V DC for 1 s 265V AC Working Voltage (IEC Class 2 reinforced insulation)
Relay output group to relay output group and FET output group isolation	Verified by one of the following dielectric tests: 1836V AC for 1 s or 2596V DC for 1 s 265V AC Working Voltage (basic insulation) 150V Working Voltage (IEC Class 2 reinforced insulation)

Working Voltage - 1763-L16DWD

Description	1763-L16DWD
Input group to backplane isolation and input group to input group isolation	Verified by one of the following dielectric tests: 1200V AC for 1 s or 1697V DC for 1 s 75V DC Working Voltage (IEC Class 2 reinforced insulation)
Output group to backplane isolation	Verified by one of the following dielectric tests: 1836V AC for 1 s or 2596V DC for 1 s 265V AC Working Voltage (IEC Class 2 reinforced insulation)
Output group to output group isolation	Verified by one of the following dielectric tests: 1836V AC for 1 s or 2596V DC for 1 s 265V AC Working Voltage (basic insulation) 150V Working Voltage (IEC Class 2 reinforced insulation)

1762 Expansion I/O Specifications

Digital I/O Modules

General Specifications – Digital I/O Modules

Attribute	Value
Dimensions	Height: 90 mm (3.54 in.), 110 mm (4.33 in.) (including mounting tabs) Width: 87 mm (3.43 in.) Depth: 40.4 mm (1.59 in.)
Enclosure type rating	None (open-style)

Input Specifications – 1762-IA8, 1762-IQ8, 1762-IQ16, 1762-IQ32T, 1762-IQ80W6

Attribute	1762-IA8	1762-IQ8	1762-IQ16	1762-IQ32T	1762-IQ80W6
Shipping weight, approx. (with carton)	209 g (0.46 lbs.)	200 g (0.44 lbs.)	230 g (0.51 lbs.)	200 g (0.44 lbs.)	280 g (0.62 lbs.)
Voltage category	100/120V AC	24V DC (sinking/sourcing) ⁽¹⁾	24V DC (sinking/sourcing) ⁽¹⁾	24V DC (sinking/sourcing) ⁽¹⁾	24V DC (sinking/sourcing) ⁽¹⁾
Operating voltage range	79...132V AC at 47...63 Hz	10...30V DC at 30 °C (86 °F) 10...26.4V DC at 55 °C (131 °F)	10...30V DC 10...26.4V DC ⁽²⁾⁽³⁾	10...30V DC (24 points) at 30 °C (86 °F) 10...26.4V DC (23 points) at 60 °C (140 °F)	10...30V DC at 30 °C (86 °F) 10...26.4V DC at 65 °C (149 °F)
Number of inputs	8	8	16	32	8
Bus current draw, max	50 mA at 5V DC (0.25 W)	50 mA at 5V DC (0.25 W)	70 mA at 5V DC (0.35 W) ⁽³⁾	170 mA at 5V DC 0 mA at 24V DC	110 mA at 5V DC 80 mA at 24V DC
Heat dissipation, max	2.0 W	3.7 W	4.3 W at 26.4V 5.4 W at 30V ⁽³⁾	5.4 W at 26.4V DC 6.8 W at 30V DC	5.0 W at 30V DC 4.4 W at 26.4V DC (The Watts per point, plus the min W, with all points energized)
Signal delay, max	On delay: 20.0 ms Off delay: 20.0 ms	On delay: 8.0 ms Off delay: 8.0 ms	On delay: 8.0 ms Off delay: 8.0 ms	On delay: 8.0 ms Off delay: 8.0 ms	On delay: 8.0 ms Off delay: 8.0 ms
Off-state voltage, max	20V AC	5V DC	5V DC	5V DC	5V DC
Off-state current, max	2.5 mA	1.5 mA	1.5 mA	1.0 mA	1.5 mA
On-state voltage, min	79V AC (min) 132V AC (max)	10V DC	10V DC	10V DC	10V DC
On-state current	5.0 mA min at 79V AC 47 Hz 12.0 mA nom. at 120V AC 60 Hz 16.0 mA max at 132V AC 63 Hz	2.0 mA min at 10V DC 8.0 mA nom. at 24V DC 12.0 mA max at 30V DC	2.0 mA min at 10V DC 8.0 mA nom. at 24V DC 12.0 mA max at 30V DC	1.6 mA min at 10V DC 2.0 mA min at 15V DC 5.7 mA max at 26.4V DC 6.5 mA max at 30.0V DC	10 mA at 5V DC
Inrush current, max	250 mA	Not applicable	Not applicable	Not applicable	250 mA
Nominal impedance	12 kΩ at 50 Hz 10 kΩ at 60 Hz	3 kΩ	3 kΩ	4.7 kΩ	3 kΩ
IEC input compatibility	Type 1+	Type 1+	Type 1+	Type 1	Type 1+
Isolated groups	Group 1: inputs 0...7 (internally connected commons)	Group 1: inputs 0...7 (internally connected commons)	Group 1: inputs 0...7 Group 2: inputs 8...15	Group 1: Inputs 0...7 Group 2: Inputs 8...15 Group 3: Inputs 16...23 Group 4: Inputs 24...31	Group 1: inputs 0...3 Group 2: inputs 4...7
Input group to backplane isolation	Verified by one of the following dielectric tests: 1517V AC for 1 s or 2145V DC for 1 s 132V AC working voltage (IEC Class 2 reinforced insulation)	Verified by one of the following dielectric tests: 1200V AC for 1 s or 1697V DC for 1 s 75V DC working voltage (IEC Class 2 reinforced insulation)	Verified by one of the following dielectric tests: 1200V AC for 1 s or 1697V DC for 1 s 75V DC working voltage (IEC Class 2 reinforced insulation)	Verified by one of the following dielectric tests: 1200V AC for 2 s or 1697V DC for 2 s 75V DC working voltage (IEC Class 2 reinforced insulation)	Verified by one of the following dielectric tests: 1200V AC for 1 s or 1697V DC for 1 s 75V DC working voltage (IEC Class 2 reinforced insulation)
Vendor I.D. code	1				
Product type code	7				
Product code	114	96	97	99	98

(1) Sinking/Sourcing Inputs – Sinking/sourcing describes the current flow between the I/O module and the field device. Sourcing I/O circuits supply (source) current to sinking field devices. Sinking I/O circuits are driven by a current sourcing field device. Field devices connected to the negative side (DC Common) of the field power supply are sinking field devices. Field devices connected to the positive side (+V) of the field supply are sourcing field devices.

(2) For derating chart, see MicroLogix 1762-IQ16 DC Input Module Installation Instructions, publication [1762-IN010](#).

(3) Only applicable for series B and series C I/O modules.

Output Specifications – 1762-0A8, 1762-0B8, 1762-0B16, 1762-0B32T, 1762-0V32T

Attribute	1762-0A8	1762-0B8	1762-0B16	1762-0B32T	1762-0V32T
Shipping weight, approx. (with carton)	215 g (7.58 oz.)	210 g (7.41 oz.)	235 g (8.29 oz.)	200 g (7.05 oz.)	200 g (7.05 oz.)
Voltage category	100...240V AC	24V DC	24V DC	24V DC sourcing	24V DC sinking
Operating voltage range	85...265V AC at 47...63 Hz	20.4...26.4V DC	20.4...26.4V DC	10.2...26.4V DC	10.2...26.4V DC
Number of outputs	8	8	16	32	32
Bus current draw, max	115 mA at 5V DC (0.575 W)	115 mA at 5V DC (0.575 W)	175 mA at 5V DC (0.88 W)	175 mA at 5V DC 0 mA at 24V DC	175 mA at 5V DC 0 mA at 24V DC
Heat dissipation, max	2.9 W	1.61 W	2.9 W at 30 °C (86 °F) 2.1 W at 55 °C (131 °F)	3.4 W at 26.4 DC	2.7 W at 26.4V DC
Signal delay, max – resistive load	On delay: 1/2 cycle Off delay: 1/2 cycle	On delay: 0.1 ms Off delay: 1.0 ms	On delay: 0.1 ms Off delay: 1.0 ms	On delay: 0.5 ms Off delay: 4.0 ms	On delay: 0.5 ms Off delay: 4.0 ms
Off-state leakage current, max	2 mA at 132V 2.5 mA at 265V	1.0 mA	1.0 mA	0.1 mA at 26.4V DC	0.1 mA at 26.4V DC
On-state current, min	10 mA	1.0 mA	1.0 mA	1.0 mA	1.0 mA
On-state voltage drop, max	1.5V at 0.5 A	1.0V DC	1.0V DC	0.3V DC at 0.5 A	0.3V DC at 0.5 A
Continuous current per point, max	0.25 A at 55 °C (131 °F) 0.5 A at 30 °C (86 °F)	0.5 A at 55 °C (131 °F) 1.0 A at 30 °C (86 °F)	0.5 A at 55 °C (131 °F) 1.0 A at 30 °C (86 °F)	0.5 A at 60 °C (140 °F)	0.5 A at 60 °C (140 °F)
Continuous current per common, max	1.0 A at 55 °C (131 °F) 2.0 A at 30 °C (86 °F)	4.0 A at 55 °C (131 °F) 8.0 A at 30 °C (86 °F)	4.0 A at 55 °C (131 °F) 8.0 A at 30 °C (86 °F)	2.0 A at 60 °C (140 °F)	2.0 A at 60 °C (140 °F)
Continuous current per module, max	2.0 A at 55 °C (131 °F) 4.0 A at 30 °C (86 °F)	4.0 A at 55 °C (131 °F) 8.0 A at 30 °C (86 °F)	4.0 A at 55 °C (131 °F) 8.0 A at 30 °C (86 °F)	4.0 A at 60 °C (140 °F)	4.0 A at 60 °C (140 °F)
Surge current, max	5.0 A (Repeatability is once every 2 s for a duration of 25 ms)	2.0 A (Repeatability is once every 2 s at 55 °C (131 °F), once every second at 30 °C (86 °F) for a duration of 10 ms)	2.0 A (Repeatability is once every 2 s at 55 °C (131 °F), once every second at 30 °C (86 °F) for a duration of 10 ms)	2.0 A (Repeatability is once every 2 s at 60 °C (140 °F) for 10 ms)	2.0 A (Repeatability is once every 2 s at 60 °C (140 °F) for 10 ms)
Isolated groups	Group 1: Outputs 0...3 Group 2: Outputs 4...7	Group 1: Outputs 0...7	Group 1: Outputs 0...15	Group 1: Outputs 0...15 Group 2: Outputs 16...31 (internally connected to common)	
Output group to backplane isolation	Verified by one of the following dielectric tests: 1836V AC for 1 s or 2596V DC for 1 s 265V AC working voltage (IEC Class 2 reinforced insulation)	Verified by one of the following dielectric tests: 1200V AC for 1 s or 1697V DC for 1 s 75V DC working voltage (IEC Class 2 reinforced insulation)		Verified by one of the following dielectric tests: 1200V AC for 2 s or 1697V DC for 2 s 75V DC working voltage (IEC Class 2 reinforced insulation)	
Output group to output group isolation	Verified by one of the following dielectric tests: 1836V AC for 1 s or 2596V DC for 1 s 265V AC working voltage (IEC Class 2 reinforced insulation)	Not applicable		Verified by one of the following dielectric tests: 1200V AC for 2 s or 1697V DC for 2 s 75V DC working voltage (IEC Class 2 reinforced insulation)	
Vendor I.D. code	1				
Product type code	7				
Product code	119	101	103	100	102

Output Specifications – 1762-0W8, 1762-0W16, 1762-0X6I, 1762-IQ80W6

Attribute	1762-0W8	1762-0W16	1762-0X6I	1762-IQ80W6
Shipping weight, approx. (with carton)	228 g (0.50 lbs.)	285 g (0.63 lbs.)	220 g (0.485 lbs)	280 g (0.62 lbs.)
Voltage category	AC/DC normally open relay	AC/DC normally open relay	AC/DC Type C Relay	AC/DC normally open relay
Operating voltage range	5...265V AC 5...125V DC	5...265V AC 5...125V DC	5...265V AC 5...125V DC	5...265V AC 5...125V DC
Number of outputs	8	16	6	6
Bus current draw, max	80 mA at 5V DC (0.40 W) 90 mA at 24V DC (2.16 W)	140 mA at 5V DC (0.70 W) ⁽¹⁾ 180 mA at 24V DC (4.32 W) ⁽¹⁾	110 mA at 5V DC (0.55 W) 110 mA at 24V DC (2.64 W)	110 mA at 5V DC 80 mA at 24V DC

Output Specifications – 1762-0W8, 1762-0W16, 1762-0X6I, 1762-IQ80W6 (Continued)

Attribute	1762-0W8	1762-0W16	1762-0X6I	1762-IQ80W6
Heat dissipation, max	2.9 W	6.1 W ⁽¹⁾	2.8 W	5.0 W at 30V DC 4.4 W at 26.4V DC (The Watts per point, plus the min W, with all points energized)
Signal delay, max – resistive load	On Delay: 10 ms Off Delay: 10 ms	On Delay: 10 ms Off Delay: 10 ms	On Delay: 10 ms (max) 6 ms (typical) Off Delay: 20 ms (max) 12 ms (typical)	On-delay: 10 ms (max) Off-delay: 10 ms (max)
Off-state leakage, max	0 mA	0 mA	0 mA	0 mA
On-state current, min	10 mA	10 mA	100 mA	10 mA
On-state voltage drop, max	Not Applicable			
Continuous current per point, max	2.5 A. See Table 25		7 A See Table 26	2.5 A See Table 25
Continuous current per common, max	8 A	8 A	7 A See Table 26	8 A
Continuous current per module, max	16 A	16 A	30 A See Table 27	8 A
Surge current, max	See Table 25		See Table 26	See Table 25
Isolated groups	Group 1: Outputs 0...3 Group 2: Outputs 4...7	Group 1: Outputs 0...7 Group 2: Outputs 8...15	All 6 Outputs Individually Isolated	Group 3: Outputs 0...5
Output group to backplane isolation	Verified by one of the following dielectric tests: 1836V AC for 1 s or 2596V DC for 1 s 265V AC working voltage (IEC Class 2 reinforced insulation)			
Output group to output group isolation	Verified by one of the following dielectric tests: 1836V AC for 1 s or 2596V DC for 1 s 265V AC working voltage (basic insulation) 150V AC working voltage (IEC Class 2 reinforced insulation)			
Vendor I.D. code	1			
Product type code	7			
Product code	120	121	124	98

(1) Only applicable for series B and series C I/O modules.

Table 25 - Relay Contact Ratings – 1762-0W8, 1762-0W16, and 1762-IQ80W6

Maximum Volts	Amperes Continuous	Amperes		Voltamperes	
		Make	Break	Make	Break
240V AC	2.5 A ⁽¹⁾	7.5 A	0.75 A	1800VA	180VA
120V AC	2.5 A ⁽¹⁾	15 A	1.5 A	1800VA	180VA
125V DC	1.0 A	0.22 A ⁽²⁾		28VA	
24V DC	2.0 A	1.2 A ⁽²⁾			

(1) 1.5 A above 40 °C (104 °F).

(2) For DC voltage applications, the make/break ampere rating for relay contacts can be determined by dividing 28VA by the applied DC voltage. For example, 28VA/48V DC = 0.58 A. For DC voltage applications less than 14V, the make/break ratings for relay contacts cannot exceed 2 A.

Table 26 - Relay Contact Ratings 1762-0X6I

Maximum Volts	Continuous Amps per Point (Max) ⁽¹⁾	Amperes ⁽²⁾		Voltamperes	
		Make	Break	Make	Break
240V AC	5.0 A	15 A	1.5 A	3600VA	360VA
120V AC	7.0 A ⁽³⁾	30 A	3.0 A		
125V DC	2.5 A	0.4 A		50VA ⁽⁴⁾	
24V DC	7.0 A ⁽³⁾	7.0 A		168VA ⁽⁴⁾	

(1) The continuous current per module must be limited so that the module power does not exceed 1440VA.

(2) **Surge Suppression** - Connecting surge suppressors across your external inductive load will extend the life of the relay contacts. For additional details, see the Industrial Automation Wiring and Grounding Guidelines, publication [1770-4.1](#).

(3) 6 A in ambient temperatures above 40 °C (104.°F)

(4) DC Make/Break Voltamperes must be limited to 50VA for DC voltages between 28V DC and 125V DC. DC Make/Break Voltamperes below 28V DC are limited by the 7 A Make/Break current limit.

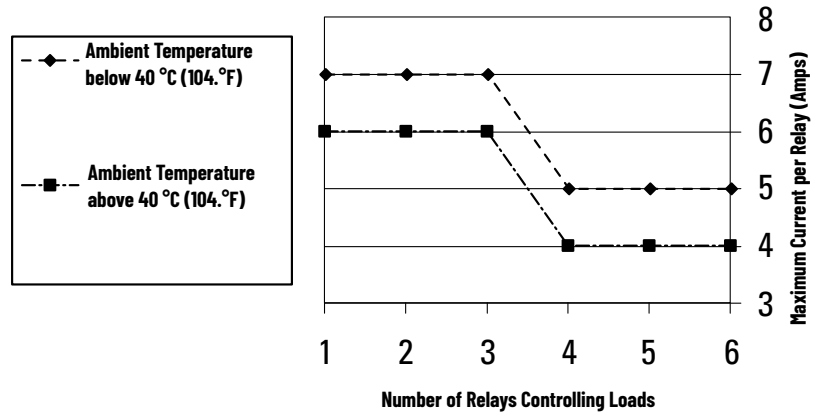
Table 27 - Module Load Ratings 1762-0X6I

Volts (Max)	Controlled Load (Current) per Module (Max)
240V AC	6 A
120V AC	12 A ⁽¹⁾
125V DC	11.5 A
24V DC	30 A ⁽²⁾

(1) Current per relay is limited to 6 A at ambient temperatures above 40 °C (104. °F).

(2) 24 A in ambient temperatures above 40 °C (104. °F). Limited by ambient temperature and the number of relays controlling loads. See [Figure 85](#).

Figure 85 - Relays Used vs. Maximum Current per Relay (24V DC) 1762-0X6I



Environmental Specifications

Attribute	Value
Temperature, operating	IEC 60068-2-1 (Test Ad, Operating Cold), IEC 60068-2-2 (Test Bd, Operating Dry Heat), IEC 60068-2-14 (Test Nb, Operating Thermal Shock): -20 °C ≤ Ta ≤ +65 °C (-4 °F ≤ Ta ≤ +149 °F)
Temperature, ambient, max	65 °C (140 °F)
Temperature, surrounding air, max	65 °C (140 °F)
Temperature, nonoperating	IEC 60068-2-1 (Test Ab, Unpackaged Nonoperating Cold), IEC 60068-2-2 (Test Bb, Unpackaged Nonoperating Dry Heat), IEC 60068-2-14 (Test Na, Unpackaged Nonoperating Thermal Shock): -40...+85 °C (-40...+185 °F)
Relative humidity	IEC 60068-2-30 (Test Db, Unpackaged Damp Heat): 5...95% noncondensing
Vibration	IEC 60068-2-6 (Test Fc, Operating): 5 g @ 10...500 Hz
Shock, operating	IEC 60068-2-27 (Test Ea, Unpackaged Shock): 30 g - Panel mounted
Shock, nonoperating	IEC 60068-2-27 (Test Ea, Unpackaged Shock): 30 g - Panel mounted 40 g - DIN rail mounted
Emissions	IEC 61000-6-4
ESD immunity	EC 61000-4-2: 4 kV contact discharges 8 kV air discharges
Radiated RF immunity	IEC 61000-4-3: 10V/m with 1 kHz sine wave 80% AM from 80...6000 MHz

Environmental Specifications (Continued)

Attribute	Value
EFT/B immunity	IEC 61000-4-4: ±2 kV @ 5 kHz on power ports ±2 kV @ 5 kHz on signal ports ±1 kV @ 5 kHz on communication ports
Surge transient immunity	IEC 61000-4-5: ±2 kV line-line(DM) and ±4 kV line-earth(CM) on AC power ports ±500V line-line(DM) and ±1 kV line-earth(CM) on signal ports ±1 kV line-earth(CM) on shielded ports ±2 kV line-earth(CM) on communication ports
Conducted RF immunity	IEC 61000-4-6: 10V rms with 1 kHz sine wave 80% AM from 150 kHz...80 MHz

Certifications

Certification (when product is marked) ⁽¹⁾	Value
c-UL-us	UL Listed Industrial Control Equipment, certified for U.S. and Canada. See UL File E322657. UL Listed for Class I Division 2 Group A, B, C, D Hazardous Locations, certified for U.S. and Canada. See UL File E334470.
CE	European Union 2014/30/EU EMC Directive, compliant with: EN 61326-1; Meas./Control/Lab., Industrial Requirements EN 61000-6-2; Industrial Immunity EN 61000-6-4; Industrial Emissions EN 61131-2; Programmable Controllers (Clause 8, Zone A & B) European Union 2014/35/EU LVD, compliant with: EN 61131-2; Programmable Controllers (Clause 11) European Union 2011/62/EU RoHS, compliant with: EN IEC 63000; Technical Documentation
RCM	Australian Radiocommunications Act, compliant with: EN 61000-6-4; Industrial Emissions
KC	Korean Registration of Broadcasting and Communications Equipment, compliant with: Article 58-2 of Radio Waves Act, Clause 3
UKCA	2016 No. 1091 – Electromagnetic Compatibility Regulations 2016 No. 1101 – Electrical Equipment (Safety) Regulations 2012 No. 3032 – Restriction of the Use of Certain Hazardous Substances in Electrical and Electronic Equipment Regulations

(1) See the Product Certification link at rok.auto/certifications for Declaration of Conformity, Certificates, and other certification details.

Analog I/O Modules

Common Specifications - 1762-IF20F2, 1762-IF4, 1762-IR4, 1762-IT4, 1762-OF4

Attribute	1762-IF20F2, 1762-IF4, 1762-IR4, 1762-IT4, 1762-OF4
Dimensions HxWxD	90 x 87 x 40 mm Height including mounting tabs is 110 mm (3.54 x 3.43 x 1.58 in.) Height including mounting tabs is 4.33 in.
Module power status indicator	On: Indicates power is applied
Recommended cable	Belden 8761 (shielded) For 1762-IT4, shielded thermocouple extension wire for the specific type of thermocouple you are using. Follow the thermocouple manufacturer's recommendations.

General Specifications - 1762-IF20F2, 1762-IF4, 1762-OF4, 1762-IR4, 1762-IT4

Specification	1762-IF20F2	1762-IF4	1762-OF4	1762-IR4	1762-IT4
Shipping weight, approx. (with carton)	240 g (0.53 lbs.)		235 g (0.517 lbs.)	260 g (0.57 lbs.)	220 g (0.53 lbs.)
Bus current draw, max	40 mA @ 5V DC 105 mA @ 24V DC	40 mA @ 5V DC 50 mA @ 24V DC	40 mA @ 5V DC 165 mA @ 24V DC	40 mA @ 5V DC 50 mA @ 24V DC	40 mA @ 5V DC 50 mA @ 24V DC
Analog normal operating range	Voltage: 0...10V DC Current: 4...20 mA	Voltage: -10...+10V DC Current: 4...20 mA	Voltage 0...10V DC Current: 4...20 mA	Not applicable	Not applicable

General Specifications - 1762-IF20F2, 1762-IF4, 1762-OF4, 1762-IR4, 1762-IT4 (Continued)

Specification	1762-IF20F2	1762-IF4	1762-OF4	1762-IR4	1762-IT4
Full scale ⁽¹⁾ analog ranges	Voltage: 0...10.5V DC Current: 0...21 mA	Voltage: -10.5...+10.5V DC Current: -21...+21 mA	Voltage: 0...10.5V DC Current: 0...21 mA	Not applicable	Not applicable
Resolution	12 bits (unipolar)	15 bits (bipolar) ⁽²⁾	12 bits (unipolar)	Input filter and configuration dependent	15 bits plus sign
Repeatability ⁽³⁾	±0.12% ⁽²⁾	±0.12% ⁽²⁾	±0.12% ⁽²⁾	±0.1 °C (±0.18 °F) for Ni and NiFe ±0.2 °C (±0.36 °F)...±0.2 °C (±0.36 °F) for other RTD inputs ±0.04 ohm for 150 ohm resistances ±0.2 ohm for other resistances	See Table 28
Input and output group to system isolation	30V AC/30V DC rated working voltage ⁽⁴⁾ (N.E.C. Class 2 required) (IEC Class 2 reinforced insulation) type test: 500V AC or 707V DC for 1 minute		30V AC/30V DC rated working voltage voltage (IEC Class 2 reinforced insulation) type test: 500V AC or 707V DC for 1 minute	30V AC/30V DC working voltage type test: 500V AC or 707V DC for 1 minute	30V AC/30V DC working voltage qualification test: 720V DC for 1 minute
Vendor I.D. code	1	1	1	1	1
Product type code	10	10	10	10	10
Product code	75	67	66	65	64

(1) The overrange or underrange flag comes on when the normal operating range (over/under) is exceeded. The module continues to convert the analog input up to the maximum full-scale range.

(2) Only applicable to series B I/O and series C I/O modules.

(3) Repeatability is the ability of the module to register the same reading in successive measurements for the same signal.

(4) Rated working voltage is the maximum continuous voltage that can be applied at the terminals with respect to earth ground.

Input Specifications - 1762-IF20F2, 1762-IF4, 1762-IR4, 1762-IT4

Attribute	1762-IF20F2	1762-IF4	1762-IR4	1762-IT4
Number of inputs	2 differential (unipolar)	4 differential (bipolar)	4	4 input channels plus 1 CJC sensor
Update time (typical)	2.5 ms	130, 250, 290, 450, 530 ms (selectable)	Input filter and configuration dependent	NA
A/D converter type	Successive approximation	Successive approximation	Delta-Sigma	Delta-Sigma
Common mode voltage range ⁽¹⁾	±27V	±27V	NA	±10V
Common mode rejection ⁽²⁾	> 55 dB at 50 Hz and 60 Hz	> 55 dB at 50 Hz and 60 Hz	>110 dB at 50 Hz (with 10 Hz or 60 Hz filter)	>110 dB at 50 Hz (with 10 Hz or 60 Hz filter)
Non-linearity (in percent full scale)	±0.12% ⁽³⁾	±0.12% ⁽³⁾	±0.05%	NA
Typical overall accuracy ⁽⁴⁾	±0.55% full scale at -20...+65 °C (-4...+149 °F) ⁽³⁾ ±0.3% full scale at 25 °C (77 °F)	±0.32% full scale at -20...+65 °C (-4...+149 °F) ⁽³⁾ ±0.24% full scale at 25 °C (77 °F)	±0.5 °C (0.9 °F) for Pt 385	NA
Input impedance	Voltage Terminal: 200 kΩ Current Terminal: 250 Ω	Voltage Terminal: 200 kΩ Current Terminal: 275 Ω	>10 MΩ	>10 MΩ
Current input protection	±32 mA	±32 mA	NA	NA
Voltage input protection	±30V	±30V	NA	NA
Channel diagnostics	Over or under range or open circuit condition by bit reporting for analog inputs	Over or under range or open circuit condition by bit reporting for analog inputs	Over or under range or open circuit condition by bit reporting for analog inputs	Over or under range or open circuit condition by bit reporting for analog inputs

(1) For proper operation, both the plus and minus input terminals must be within ±27V (±10V for 1762-IT4) of analog common.

(2) $V_{cm} = 1 V_{pk-pk AC}$

(3) Only applicable for series B and series C I/O modules.

(4) $V_{cm} = 0$ (includes offset, gain, non-linearity, and repeatability error terms)

Input Specifications 1762-IR4

Attribute	1762-IR4
Input types	100 Ω Platinum 385 200 Ω Platinum 385 500 Ω Platinum 385 1000 Ω Platinum 385 100 Ω Platinum 3916 200 Ω Platinum 3916 500 Ω Platinum 3916 1000 Ω Platinum 3916 10 Ω Copper 426 120 Ω Nickel 672 120 Ω Nickel 618 604 Ω Nickel-Iron 518 0...150 Ω 0...500 Ω 0...1000 Ω 0...3000 Ω
Heat dissipation	1.5 Total Watts (The Watts per point, plus the minimum Watts, with all points enabled)
Normal mode rejection ratio	70 dB minimum at 50 Hz with the 10 Hz or 50 Hz filter selected 70 dB minimum at 60 Hz with the 10 Hz or 60 Hz filter selected
Typical accuracy [Auto-calibration enabled] at 25 °C (77 °F) ambient with module operating temperature at 25 °C (77 °F) ⁽¹⁾	± 0.5 °C (0.90 °F) for Pt 385 ± 0.4 °C (0.72 °F) for Pt 3916 ± 0.2 °C (0.36 °F) for Ni ± 0.3 °C (0.54 °F) for NiFe ± 0.6 °C (1.08 °F) for Cu ± 0.15 Ω for 150 Ω range ± 0.5 Ω for 500 Ω range ± 1.0 Ω for 1000 Ω range ± 1.5 Ω for 3000 Ω range
Typical accuracy [Auto-calibration enabled] at 0...55 °C (32...131 °F) ⁽¹⁾	± 0.9 °C (1.62 °F) for Pt 385 ± 0.8 °C (1.40 °F) for Pt 3916 ± 0.4 °C (0.72 °F) for Ni ± 0.5 °C (0.90 °F) for NiFe ± 1.1 °C (1.98 °F) for Cu ± 0.25 Ω for 150 Ω range ± 0.8 Ω for 500 Ω range ± 1.5 Ω for 1000 Ω range ± 2.5 Ω for 3000 Ω range
Accuracy drift at 0...55 °C (32...131 °F)	± 0.026 °C/°C (0.026 °F/°F) for Pt 385 ± 0.023 °C/°C (0.023 °F/°F) for Pt 3916 ± 0.012 °C/°C (0.012 °F/°F) for Ni ± 0.015 °C/°C (0.015 °F/°F) for NiFe ± 0.032 °C/°C (0.032 °F/°F) for Cu ± 0.007 Ω /°C (0.012 Ω /°F) for 150 Ω range ± 0.023 Ω /°C (0.041 Ω /°F) for 500 Ω range ± 0.043 Ω /°C (0.077 Ω /°F) for 1000 Ω range ± 0.07 Ω /°C (0.130 Ω /°F) for 3000 Ω range
Excitation current source	0.5 mA and 1.0 mA selectable per channel
Open-circuit detection time ⁽²⁾	6...1212 ms
Input channel configuration	Via configuration software screen or the user program (by writing a unique bit pattern into the module's configuration file). See your controller's user manual to determine if user program configuration is supported.
Calibration	The module performs auto-calibration on channel enable and on a configuration change between channels. You can also program the module to calibrate every 5 minutes.
Maximum overload at input terminals	± 35 V DC continuous
Cable impedance, max	25 Ω – Operating with >25 Ω reduces accuracy.
Channel to channel isolation	± 10 V DC

(1) Accuracy is dependent upon the Analog/Digital converter filter rate selection, excitation current selection, data format, and input noise.

(2) Open-circuit detection time is equal to channel update time.

Input Specifications 1762-IT4

Attribute	Value
Heat dissipation	1.5 Total Watts (The Watts per point, plus the minimum Watts, with all points energized)
Response speed per channel	Input filter and configuration dependent
Rated working voltage ⁽¹⁾	30V AC/30V DC
Normal mode rejection ratio	85 dB (minimum) at 50 Hz (with 10 Hz or 50 Hz filter) 85 dB (minimum) at 60 Hz (with 10 Hz or 60 Hz filter)
Cable impedance, max	25 Ω (for specified accuracy)
Open-circuit detection time	7 ms...1.515 s ⁽²⁾
Calibration	The module performs auto-calibration upon power-up and whenever a channel is enabled. You can also program the module to calibrate every 5 minutes.

Input Specifications 1762-IT4 (Continued)

Attribute	Value
CJC accuracy	±1.3 °C (±2.34 °F)
Maximum overload at input terminals	±35V DC continuous ⁽³⁾
Input channel configuration	Via configuration software screen or the user program (by writing a unique bit pattern into the module's configuration file)

- (1) Rated working voltage is the maximum continuous voltage that can be applied at the input terminal, including the input signal and the value that floats above ground potential (for example, 30V DC input signal and 20V DC potential above ground).
- (2) Open-circuit detection time is equal to the module scan time, which is based on the number of enabled channels, the filter frequency of each channel, and whether cyclic calibration is enabled.
- (3) Maximum current input is limited due to input impedance.

Table 28 - 1762-IT4 Repeatability at 25 °C (77 °F)^{(1) (2)}

Input Type	Repeatability for 10 Hz Filter
Thermocouple J	±0.1 °C [±0.18 °F]
Thermocouple N (-110...+1300 °C [-166...+2372 °F])	±0.1 °C [±0.18 °F]
Thermocouple N (-210...-110 °C [-346...-166 °F])	±0.25 °C [±0.45 °F]
Thermocouple T (-170...+400 °C [-274...+752 °F])	±0.1 °C [±0.18 °F]
Thermocouple T (-270...-170 °C [-454...-274 °F])	±1.5 °C [±2.7 °F]
Thermocouple K (-270...+1370 °C [-454...+2498 °F])	±0.1 °C [±0.18 °F]
Thermocouple K (-270...-170 °C [-454...-274 °F])	±2.0 °C [±3.6 °F]
Thermocouple E (-220...+1000 °C [-364...+1832 °F])	±0.1 °C [±0.18 °F]
Thermocouple E (-270...-220 °C [-454...-364 °F])	±1.0 °C [±1.8 °F]
Thermocouples S and R	±0.4 °C [±0.72 °F]
Thermocouple C	±0.2 °C [±0.36 °F]
Thermocouple B	±0.7 °C [±1.26 °F]
±50 mV	±6 µV
±100 mV	±6 µV

- (1) Repeatability is the ability of the input module to register the same reading in successive measurements for the same input signal.
- (2) Repeatability at any other temperature in the 0...60 °C (32...140 °F) range is the same as long as the temperature is stable.

1762-IT4 Accuracy

Input Type ⁽¹⁾	With Auto-calibration Enabled		Without Auto-calibration
	Maximum Accuracy for 10 Hz, 50 Hz, and 60 Hz Filters		Maximum Temperature Drift ⁽²⁾
	@ 25 °C [77 °F] Ambient	@ 0...60 °C [32...140 °F] Ambient	@ 0...60 °C [32...140 °F] Ambient
Thermocouple J (-210...+1200 °C [-346...+2192 °F])	±0.6 °C [±1.1 °F]	±0.9 °C [±1.7 °F]	±0.0218 °C/ °C [±0.0218 °F/ °F]
Thermocouple N (-200...+1300 °C [-328...+2372 °F])	±1 °C [±1.8 °F]	±1.5 °C [±2.7 °F]	±0.0367 °C/ °C [±0.0367 °F/ °F]
Thermocouple N (-210...-200 °C [-346...-328 °F])	±1.2 °C [±2.2 °F]	±1.8 °C [±3.3 °F]	±0.0424 °C/ °C [±0.0424 °F/ °F]
Thermocouple T (-230...+400 °C [-382...+752 °F])	±1 °C [±1.8 °F]	±1.5 °C [±2.7 °F]	±0.0349 °C/ °C [±0.0349 °F/ °F]
Thermocouple T (-270...-230 °C [-454...-382 °F])	±5.4 °C [±9.8 °F]	±7.0 °C [±12.6 °F]	±0.3500 °C/ °C [±0.3500 °F/ °F]
Thermocouple K (-230...+1370 °C [-382...+2498 °F])	±1 °C [±1.8 °F]	±1.5 °C [±2.7 °F]	±0.4995 °C/ °C [±0.4995 °F/ °F]
Thermocouple K (-270...-225 °C [-454...-373 °F])	±7.5 °C [±13.5 °F]	±10 °C [±18 °F]	±0.0378 °C/ °C [±0.0378 °F/ °F]
Thermocouple E (-210...+1000 °C [-346...+1832 °F])	±0.5 °C [±0.9 °F]	±0.8 °C [±1.5 °F]	±0.0199 °C/ °C [±0.0199 °F/ °F]
Thermocouple E (-270...-210 °C [-454...-346 °F])	±4.2 °C [±7.6 °F]	±6.3 °C [±11.4 °F]	±0.2698 °C/ °C [±0.2698 °F/ °F]
Thermocouple R	±1.7 °C [±3.1 °F]	±2.6 °C [±4.7 °F]	±0.0613 °C/ °C [±0.0613 °F/ °F]
Thermocouple S	±1.7 °C [±3.1 °F]	±2.6 °C [±4.7 °F]	±0.0600 °C/ °C [±0.0600 °F/ °F]
Thermocouple C	±1.8 °C [±3.3 °F]	±3.5 °C [±6.3 °F]	±0.0899 °C/ °C [±0.0899 °F/ °F]
Thermocouple B	±3.0 °C [±5.4 °F]	±4.5 °C [±8.1 °F]	±0.1009 °C/ °C [±0.1009 °F/ °F]
±50 mV	±15 µV	±25 µV	±0.44 µV/ °C [±0.80 µV/ °F]
±100 mV	±20 µV	±30 µV	±0.69 µV/ °C [±1.25 µV/ °F]

- (1) The module uses the National Institute of Standards and Technology (NIST) ITS-90 standard for thermocouple linearization.
- (2) Temperature drift with auto-calibration is slightly better than without auto-calibration.



For more detailed 1762-IT4 accuracy information, see the MicroLogix 1200 Thermocouple/mV Input Module User Manual, publication [1762-UM002](#).

Output Specifications – 1762-IF20F2, 1762-OF4

Specification	1762-IF20F2	1762-OF4
Number of outputs	2 single-ended (unipolar)	4 single-ended (unipolar) ⁽²⁾
Update time (typical)	4.5 ms	2.5 ms
D/A converter type	Resistor string	R-2R ladder voltage switching
Resistive load on current output	0...500 Ω (includes wire resistance)	0...500 Ω (includes wire resistance)
Load range on voltage output	> 1 kΩ	> 1 kΩ
Reactive load, current output	< 0.1 mH	< 0.1 mH
Reactive load, voltage output	< 1 μF	< 1 μF
Typical overall accuracy ⁽¹⁾	±1.17% full scale @ -20...+65 °C ⁽²⁾ ±0.5% full scale @ 25 °C	±1.17% full scale @ -20...+65 °C ⁽²⁾ ±0.5% full scale @ 25 °C
Output ripple range 0...500 Hz (referred to output range)	< ±0.1%	< ±0.1%
Non-linearity (in percent full scale)	< ±0.59% ⁽²⁾	< ±0.59% ⁽²⁾
Open and short-circuit protection	Continuous	Continuous
Output protection	±32 mA	±32 mA

(1) Includes offset, gain, non-linearity, and repeatability error terms.

(2) Only applicable to series B and series C I/O modules.

Table 29 - Valid Input/Output Data Word Formats/Ranges for 1762-IF20F2

Normal Operating Range	Full Scale Range	RAW/Proportional Data	Scaled-for-PID
0...10V DC	10.5V DC	32,760	16,380
	0.0V DC	0	0
4...20 mA	21.0 mA	32,760	16,380
	20.0 mA	31,200	15,600
	4.0 mA	6,240	3,120
	0.0 mA	0	0

Environmental Specifications

Attribute	Value
Temperature, storage	-40...+85 °C (-40...+185 °F)
Temperature, operating	-20...+65 °C (-4...+149 °F) ⁽¹⁾
Operating humidity	5...95% noncondensing
Operating altitude	2000 m (6561 ft.)
Vibration	Operating: 10...500 Hz, 5 g, 0.030 in. max peak-to-peak
Shock	Operating: 30 g
Emissions	IEC 61000-6-4
ESD immunity	IEC 61000-4-2: 6 kV contact discharges 8 kV air discharges
Radiated RF immunity	IEC 61000-4-3: 10V/m with 1 kHz sine wave 80% AM from 80...1000 MHz 3V/m with 1 kHz sine wave 80% AM from 1.4...2.0 GHz 1V/m with 1 kHz sine wave 80% AM from 2.0...2.7 GHz
EFT/B immunity	IEC 61000-4-4: ±2 kV @ 5 kHz on signal ports
Surge transient immunity	IEC 61000-4-5: ±1 kV line-earth(CM) on shielded ports
Conducted RF immunity	IEC 61000-4-6: 10V rms with 1 Hz sine wave 80% AM from 150 kHz...80 MHz ⁽²⁾

(1) See the module's Installation Instruction for exact operating temperature range.

(2) For grounded thermocouples, the 10V level is reduced to 3V.

Certifications

Certification (when product is marked) ⁽¹⁾	Value
UL	UL Listed for Class I Division 2 Group A, B, C, D Hazardous Locations
cUL	UL Listed for Class I Division 2 Group A, B, C, D Hazardous Locations, certified for Canada.
CE	European Union 2014/30/EU EMC Directive, compliant with: EN 61000-6-2; Industrial Immunity EN 61000-6-4; Industrial Emissions EN 61131-2; Programmable Controllers (Clause 8, Zone A & B)
RCM	Australian Radiocommunications Act, compliant with: AS/NZS CISPR 11; Industrial Emissions
KC	Korean Registration of Broadcasting and Communications Equipment, compliant with: Article 58-2 of Radio Waves Act, Clause 3

(1) See the Product Certification link at rok.auto/certifications for Declaration of Conformity, Certificates, and other certification details.

Notes:

Replacement Parts

MicroLogix 1100 Replacement Kits

[Table 30](#) provides a list of replacement parts and their catalog number.

Table 30 - MicroLogix 1100 Controller Replacement Parts

Description	Catalog Number
Lithium Battery	1763-BA

Lithium Battery (1763-BA)

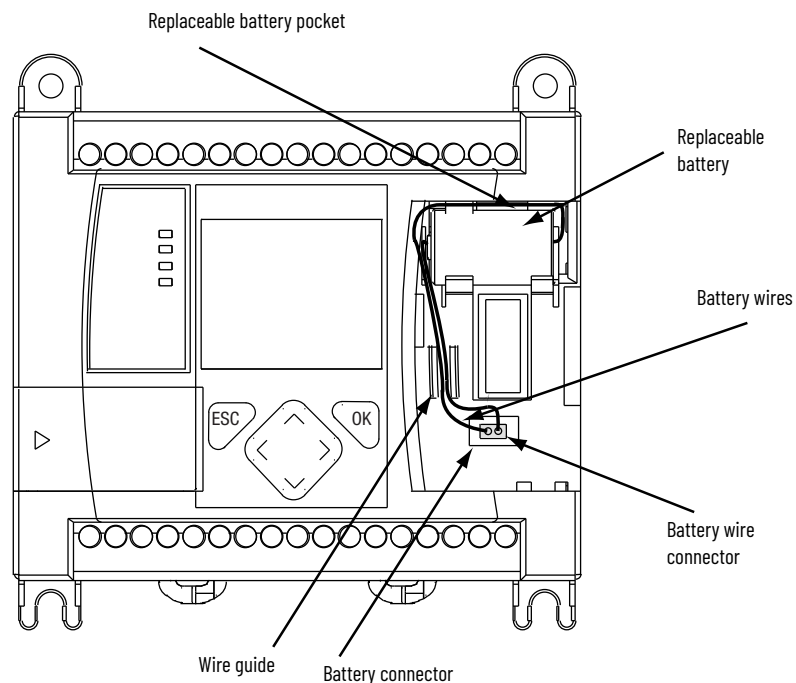
IMPORTANT When the controller's Battery Low indicator is lit, check whether the battery wire connector is connected correctly or replace the replaceable battery with a new one immediately. When the indicator turns on, it means that either the battery is disconnected, or that the battery requires replacement. The controller is designed to operate for up to 2 weeks, from the time that the indicator first turns on. We recommend that you replace the battery immediately when the indicator turns on.

Installation

Follow the procedure below to ensure proper replaceable battery installation.

1. Insert a battery into the battery pocket with wires facing up.
2. Insert the battery wire connector into the battery connector.
3. Secure the battery connector wires along the wire guide, as shown in [Figure 86](#).

Figure 86 - Replaceable Battery Wire Connection



Battery Handling

Follow the procedure below to ensure proper battery operation and reduce personnel hazards.

- Use only for the intended operation.
- Do not ship or dispose of cells except according to recommended procedures.
- Do not ship on passenger aircraft.



- Do not charge the batteries. An explosion could result or the cells could overheat causing burns.
- Do not open, puncture, crush, or otherwise mutilate the batteries. A possibility of an explosion exists and/or toxic, corrosive, and flammable liquids would be exposed.
- Do not incinerate or expose the batteries to high temperatures. Do not attempt to solder batteries. An explosion could result.
- Do not short positive and negative terminals together. Excessive heat can build up and cause severe burns.

Storage

Store lithium batteries in a cool, dry environment, typically 20...25 °C (68...77 °F) and 40...60% humidity. Store the batteries and a copy of the battery instruction sheet in the original container, away from flammable materials.

Transportation

One or Two Batteries

Each battery contains 0.23 g (0.008 oz.) of lithium. Therefore, up to two batteries can be shipped together within the United States without restriction. Regulations governing shipment to or within other countries may differ.

Three or More Batteries

Procedures for the transportation of three or more batteries shipped together within the United States are specified by the Department of Transportation (DOT) in the Code of Federal Regulations, CFR49, "Transportation." An exemption to these regulations, DOT - E7052, covers the transport of certain hazardous materials classified as flammable solids. This exemption authorizes transport of lithium batteries by motor vehicle, rail freight, cargo vessel, and cargo-only aircraft, providing certain conditions are met. Transport by passenger aircraft is not permitted.

A special provision of DOT-E7052 (11th Rev., October 21, 1982, par. 8-a) provides that:

"Persons that receive cell and batteries covered by this exemption may reship them pursuant to the provisions of 49 CFR 173.22a in any of these packages authorized in this exemption including those in which they were received."

The Code of Federal Regulations, 49 CFR 173.22a, relates to the use of packaging authorized under exemptions. In part, it requires that you must maintain a copy of the exemption at each facility where the packaging is being used in connection with shipment under the exemption.

Shipment of depleted batteries for disposal may be subject to specific regulation of the countries involved or to regulations endorsed by those countries, such as the IATA Articles Regulations of the International Air Transport Association, Geneva, Switzerland.

IMPORTANT

Regulations for transportation of lithium batteries are periodically revised. See www.dot.gov for the latest shipping information.

Disposal



ATTENTION: Do not incinerate or dispose of lithium batteries in general trash collection. Explosion or violent rupture is possible. Batteries should be collected for disposal in a manner to prevent against short-circuiting, compacting, or destruction of case integrity and hermetic seal.

For disposal, batteries must be packaged and shipped in accordance with transportation regulations, to a proper disposal site. The U.S. Department of Transportation authorizes shipment of "Lithium batteries for disposal" by motor vehicle only in regulation 173.1015 of CFR 49 (effective January 5, 1983). For additional information contact:

U.S. Department of Transportation
Research and Special Programs Administration
400 Seventh Street, S.W.
Washington, D.C. 20590

Although the Environmental Protection Agency at this time has no regulations specific to lithium batteries, the material contained may be considered toxic, reactive, or corrosive. The person disposing of the material is responsible for any hazard created in doing so. State and local regulations may exist regarding the disposal of these materials.

For a lithium battery product safety data sheet, contact the manufacturer:

Sanyo Energy Corporation
2001 Sanyo Avenue
San Diego, CA 92173
(619) 661-4801

Tadarand U.S. Battery Division
2 Seaview Blvd.
Port Washington, NY 11050
(516) 621-4980

Notes:

Troubleshoot Your System

Understand the Controller Status Indicators

The MicroLogix 1100 controller provides three groups of status indicators:

- The LED status indicators on the top of the controller
- The status indicators on the LCD
- The I/O status indicators on the LCD

Together they provide a mechanism to determine the current status of the controller if a programming device is not present or available.

Controller Status Indicators

Figure 87 - Controller Status Indicator Location

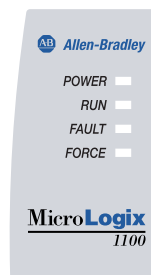


Table 31 - Controller Status Indicators

Status Indicator	Color	Indicates
POWER	Off	No input power or power error condition
	Steady green	Power on
RUN	Off	Not executing the user program
	Steady green	Executing the user program in run mode
	Flashing green	Memory module transfer occurring
FAULT	Off	No fault detected
	Flashing red	Application fault detected
	Steady red	Controller hardware faulted
FORCE	Off	No forces installed
	Steady amber	Forces installed
	Flashing amber	Forces installed in force files, but forcing is disabled

Status Indicators on the LCD

Figure 88 - Status Indicators on the LCD

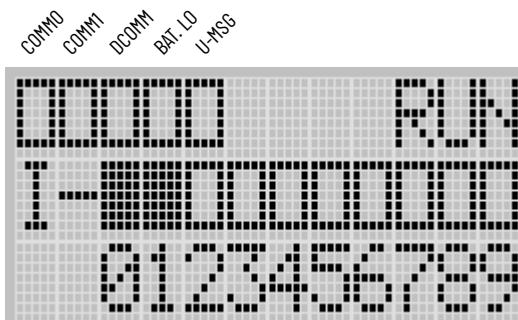


Table 32 - Status Indicators on the LCD

Indicator	Color	Indicates
COMM 0	Off (empty rectangle)	Not transmitting through RS-232/RS-485 port (Channel 0)
	On (solid rectangle)	Transmitting through RS-232/RS-485 port (Channel 0)
COMM 1	Off (empty rectangle)	Not transmitting through Ethernet port (Channel 1)
	On (solid rectangle)	Transmitting through Ethernet port (Channel 1)
DCOMM ⁽¹⁾	Off (empty rectangle)	Configured communications
	On (solid rectangle)	Default communications
BAT. LO	Off (empty rectangle)	Battery level is acceptable
	On (solid rectangle)	Battery low
U-MSG	Off (empty rectangle)	Default display mode
	On (solid rectangle)	Customized display mode

(1) When using a MicroLogix 1100 controller, the DCOMM LED applies only to Channel 0.

I/O Status Indicators on the LCD

Figure 89 - I/O Status Indicators on the LCD

I/O LED screen on the LCD

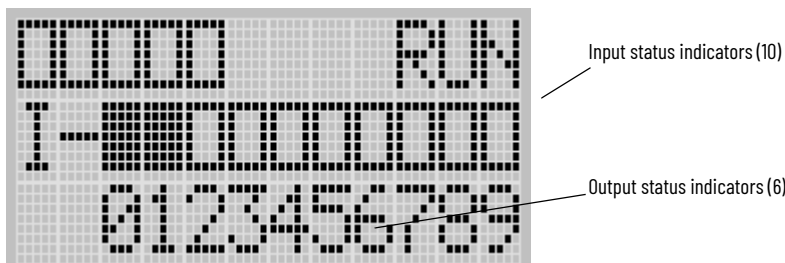


Table 33 - I/O Status Indicators on the LCD

Indicator	Color	Indicates
INPUTS ⁽¹⁾	Off (empty rectangle)	Input is not energized
	On (solid rectangle)	Input is energized (terminal status)
OUTPUTS	Off (empty rectangle)	Output is not energized
	On (solid rectangle)	Output is energized (logic status)

(1) To view the status of inputs and outputs on the LCD, you need to enter the I/O LED mode screen using the LCD menu. See [I/O Status on page 76](#) for more information.

Normal Operation

The POWER and RUN status indicators are On. If forcing is enabled and forces are installed in the I/O force files, the FORCE status indicator turns on and remains on until all forces are removed. If forcing is disabled and forces are installed in the I/O force files, the FORCE status indicator flashes and remains flashing until all forces are removed from the I/O force files.

Error Conditions

If an error exists within the controller, the controller status indicators operate as described in [Table 34](#).

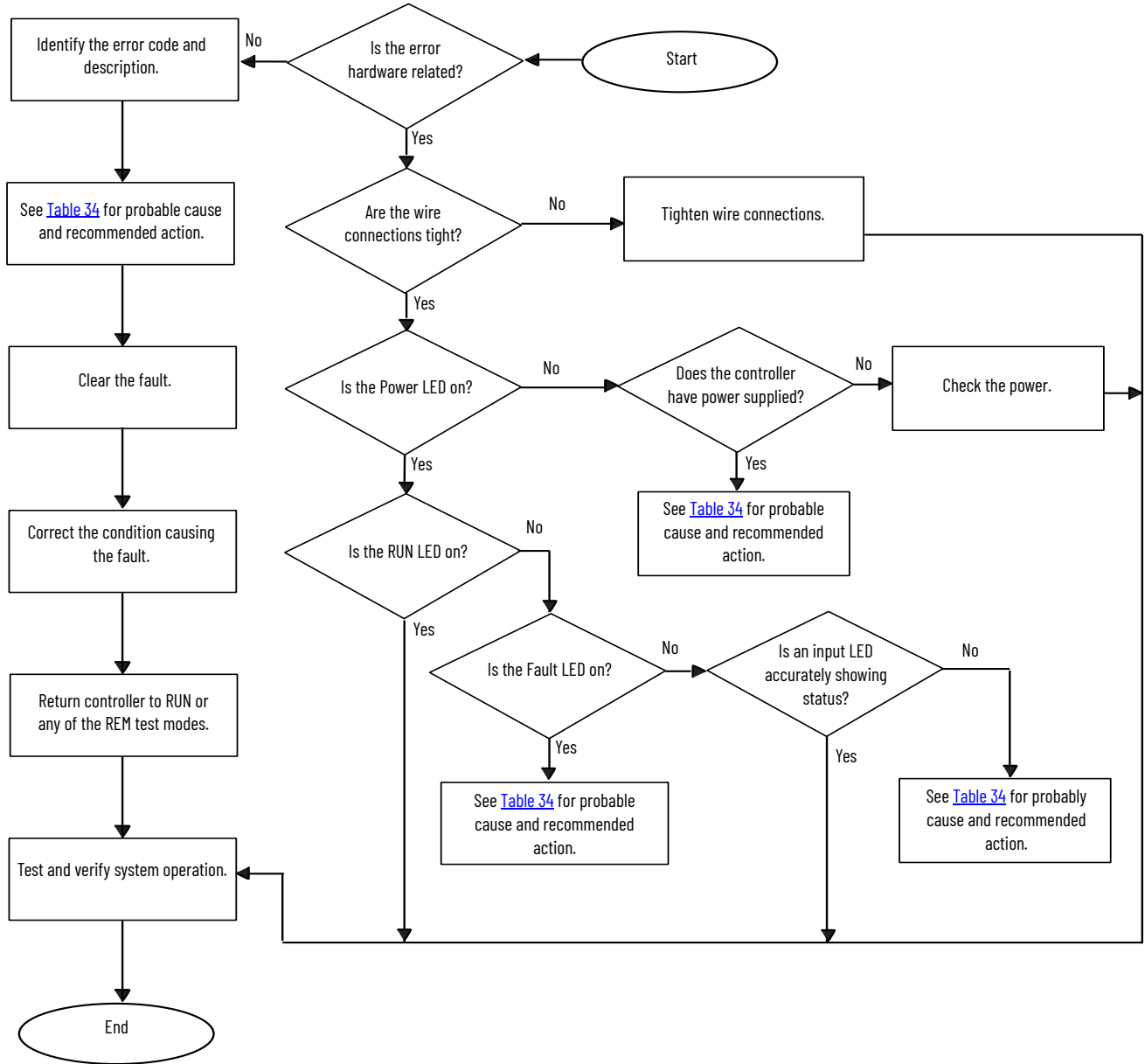
Table 34 - Error Conditions

If the LEDS Indicate	The Following Error Exists	Probable Cause	Recommended Action
All LEDs off	No input power or power supply error	No line power	Verify proper line voltage and connections to the controller.
		Power supply overloaded	This problem can occur intermittently if power supply is overloaded when output loading and temperature varies.
Power and FAULT LEDs on solid	Hardware faulted	Processor hardware error	Cycle power. Contact your local Allen-Bradley representative if the error persists.
		Loose wiring	Verify connections to the controller.
Power LED on and FAULT LED flashing	Application fault	Hardware/software major fault detected	For error codes and Status File information, see MicroLogix 1100 Programmable Controllers Instruction Set Reference Manual, publication 1763-RM001 .
RUN, FORCE, and FAULT LEDs all flashing	Operating system fault	Missing or corrupt operating system	See Missing or Corrupt OS LED Pattern on page 144 .

Controller Error Recovery Model

Figure 90 helps you diagnose software and hardware problems in the micro controller. The model provides common questions you might ask to help troubleshoot your system. See the recommended pages within the model for further help.

Figure 90 - Controller Error Recovery Model



Analog Expansion I/O Diagnostics and Troubleshooting

Module Operation and Channel Operation

The module performs operations at two levels:

- Module level
- Channel level

Module-level operations include functions such as power-up, configuration, and communication with the controller.

Internal diagnostics are performed at both levels of operation. Both module hardware and channel configuration error conditions are reported to the controller. Channel overrange or underrange conditions are reported in the module's input data table. Module hardware errors are reported in the controller's I/O status file. See MicroLogix 1100 Programmable Controllers Instruction Set Reference Manual, publication [1763-RM001](#) for more information.

When a fault condition is detected, the analog outputs are reset to zero.

Power-up Diagnostics

At module power-up, a series of internal diagnostic tests are performed.

Table 35 - Module Status LED State Table

If Module Status LED is	Indicated Condition	Corrective Action
On	Proper Operation	No action is required.
Off	Module Fault	Cycle power. If condition persists, replace the module. Call your local distributor or Allen-Bradley for assistance.

Critical and Non-critical Errors

Non-critical module errors are recoverable. Channel errors (overrange or underrange errors) are non-critical. Non-critical error conditions are indicated in the module input data table. Non-critical configuration errors are indicated by the extended error code.

Critical module errors are conditions that prevent normal or recoverable operation of the system. When these types of errors occur, the system leaves the run mode of operation.

Critical and non-critical module errors are indicated in [Table 38](#).

Module Error Definition Table

Analog module errors are expressed in two fields as four-digit Hex format with the most significant digit as "don't care" and irrelevant. The two fields are "Module Error" and "Extended Error Information". The structure of the module error data is shown in [Table 36](#).

Table 36 - Module Error Table

"Don't Care" Bits				Module Error			Extended Error Information								
15	14	13	12	11	10	9	8	7	6	5	4	3	2	1	0
0	0	0	0	0	0	0	0	0	0	0	0	0	0	0	0
Hex Digit 4				Hex Digit 3			Hex Digit 2				Hex Digit 1				

Module Error Field

The purpose of the module error field is to classify module errors into three distinct groups, as described in [Table 37](#). The type of error determines what kind of information exists in the extended error information field. These types of module errors are typically reported in the controller's I/O status file. See MicroLogix 1100 Programmable Controllers Instruction Set Reference Manual, publication [1763-RM001](#) for more information.

Table 37 - Module Error Types

Error Type	Module Error Field Value Bits 11 through 09 (Binary)	Description
No Errors	000	No error is present. The extended error field holds no additional information.
Hardware Errors	001	General and specific hardware error codes are specified in the extended error information field.
Configuration Errors	010	Module-specific error codes are indicated in the extended error field. These error codes correspond to options that you can change directly. For example, the input range or input filter selection.

Extended Error Information Field

Check the extended error information field when a non-zero value is present in the module error field. See [Table 38](#) and [Table 39](#).



If no errors are present in the module error field, the extended error information field is set to zero.

Hardware Errors

General or module-specific hardware errors are indicated by module error code 2. See [Table 38](#) and [Table 39](#).

Configuration Errors

If you set the fields in the configuration file to invalid or unsupported values, the module ignores the invalid configuration, generates a non-critical error, and keeps operating with the previous configuration.

[Table 38](#) and [Table 39](#) list the configuration error codes defined for the module.

Error Codes

Table 38 - Extended Error Codes for 1762-IF20F2

Error Type	Hex Equivalent ⁽¹⁾	Module Error Code	Extended Error Information Code	Error Description
		Binary	Binary	
No Error	X000	000	0 0000 0000	No error
General Common Hardware Error	X200	001	0 0000 0000	General hardware error; no additional information
	X201	001	0 0000 0001	Power-up reset state
Hardware-specific Error	X210	001	0 0001 0000	Reserved
Configuration Error	X400	010	0 0000 0000	General configuration error; no additional information
	X401	010	0 0000 0001	Invalid input data format selected (channel 0)
	X402	010	0 0000 0010	Invalid input data format selected (channel 1)
	X403	010	0 0000 0011	Invalid output data format selected (channel 0)
	X404	010	0 0000 0100	Invalid output data format selected (channel 1)

(1) X represents "Don't Care".

Table 39 - Extended Error Codes for 1762-IF4 and 1762-OF4

Error Type	Hex Equivalent ⁽¹⁾	Module Error Code	Extended Error Information Code	Error Description
		Binary	Binary	
No Error	X000	000	0 0000 0000	No error
General Common Hardware Error	X200	001	0 0000 0000	General hardware error; no additional information
	X201	001	0 0000 0001	Power-up reset state
Hardware-specific Error	X300	001	1 0000 0000	Reserved

Table 39 - Extended Error Codes for 1762-IF4 and 1762-OF4 (Continued)

Error Type	Hex Equivalent ⁽¹⁾	Module Error Code	Extended Error Information Code	Error Description
		Binary	Binary	
Configuration Error	X400	010	0 0000 0000	General configuration error; no additional information
	X401	010	0 0000 0001	Invalid range select (Channel 0)
	X402	010	0 0000 0010	Invalid range select (Channel 1)
	X403	010	0 0000 0011	Invalid range select (Channel 2)
	X404	010	0 0000 0100	Invalid range select (Channel 3)
	X405	010	0 0000 0101	Invalid filter select (Channel 0) - 1762-IF4 only
	X406	010	0 0000 0110	Invalid filter select (Channel 1) - 1762-IF4 only
	X407	010	0 0000 0111	Invalid filter select (Channel 2) - 1762-IF4 only
	X408	010	0 0000 1000	Invalid filter select (Channel 3) - 1762-IF4 only
	X409	010	0 0000 1001	Invalid format select (Channel 0)
	X40A	010	0 0000 1010	Invalid format select (Channel 1)
	X40B	010	0 0000 1011	Invalid format select (Channel 2)
	X40C	010	0 0000 1100	Invalid format select (Channel 3)

(1) X represents "Don't Care".

Calling Rockwell Automation for Assistance

If you need to contact Rockwell Automation or local distributor for assistance, it is helpful to obtain the following (prior to calling):

- Controller type, series letter, revision letter, and firmware (FRN) number of the controller
- Controller indicator status
- Controller error codes (See MicroLogix 1100 Programmable Controllers Instruction Set Reference Manual, Publication [1763-RM001](#) for error code information.)

Notes:

Use ControlFLASH to Upgrade Your Operating System

The operating system (OS) can be upgraded through the communication port on the controller. To download a new operating system, you must have the ControlFLASH™ Upgrade Kit, which is described in the ControlFLASH User Manual, publication [1756-UM105](#).

The newer OS firmware for the controller is prepared in DMK disk image format which requires ControlFLASH version 13.00 or later.

To download new OS firmware for a MicroLogix controller, go to the Rockwell Automation Product Compatibility and Download Center (PCDC) at rok.auto/pcdc.

Prepare for Firmware Update

Before upgrading the controller's operating system, you must:

- Install ControlFLASH software on your computer.
- Extract the DMK kit containing the latest firmware (for ControlFLASH version 13.00 or later only).
- Prepare the controller for updating.

IMPORTANT Installing a new operating system deletes the user program on the controller. After the operating system upgrade is successful, you must transfer your control program back to the controller. The communication parameters are described in [Table 7](#).

Install ControlFLASH Software

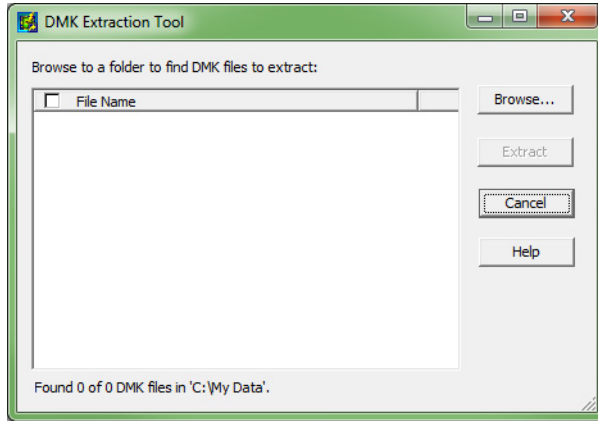
To install ControlFLASH properly, see the Install ControlFLASH section in ControlFLASH User Manual, publication [1756-UM105](#).

If a ControlFLASH directory does not exist, one is created in your Program Files directory.

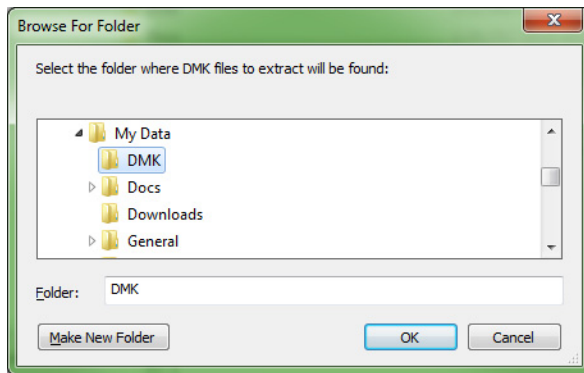
Use DMK Extraction Tool for Firmware Upgrade

This section applies only to the newer OS firmware prepared in DMK format which requires ControlFLASH version 13.00 or later.

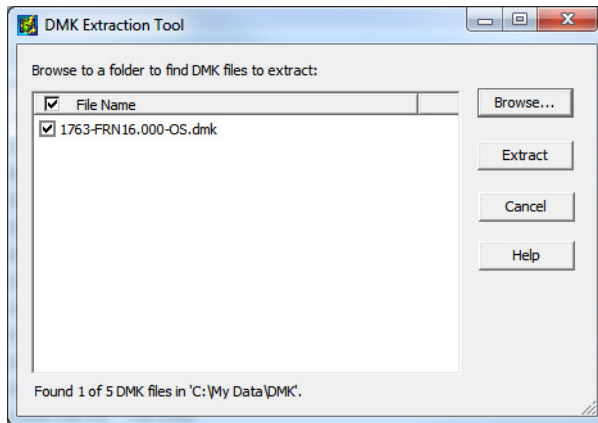
1. Launch the DMK Extraction Tool application under Programs > Flash > Programming Tools.



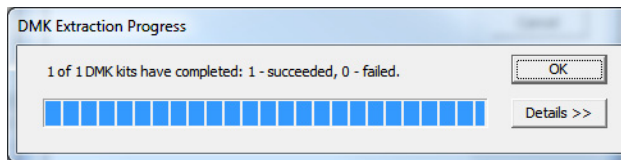
2. Select Browse and choose the location of the DMK file in the system.



3. Select OK.

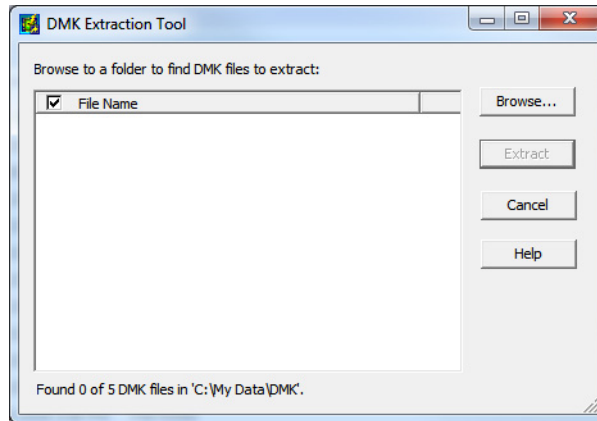


4. Select one or more DMK files that you want to extract, then select Extract. The DMK Extraction Progress dialog box appears.



5. After the extraction is complete, select OK to close the dialog box.
6. Select Cancel to close the DMK Extraction Tool.

Once the DMK files have been extracted from a folder, they are no longer shown when the DMK Extraction Tool is used again to browse the same folder.



Prepare the Controller for Firmware Update

Connect the computer COM port to channel 0 on the MicroLogix 1100 using a 1761-CBL-PM02 cable.

Controller Configuration

The controller must be configured for default communications (use the Communications Toggle functionality which is available on the LCD; DCOMM indicator on) and be in the Program mode (use the Mode Switch which is available on the LCD.) to allow the download of a new operating system.

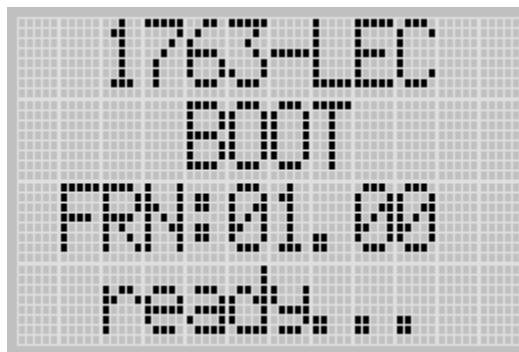
See [Use the Communications Toggle Functionality on page 52](#) for information about how to use the Communications Toggle functionality.

See [Use the Mode Switch on page 88](#) for information about controller modes and how to use the Mode Switch.

Sequence of Operation

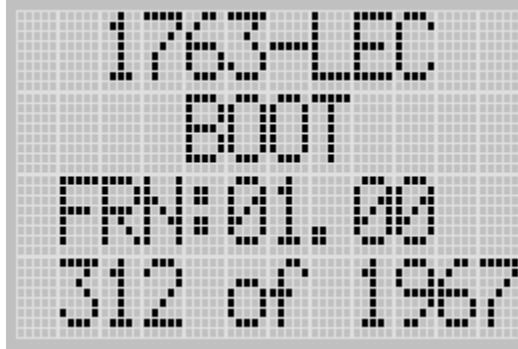
The following steps detail the key events in the upgrade process.

1. Controller mode and communications parameters are checked. The screen as shown below is displayed on the LCD as well.



2. Download begins.

3. During the download, the Run, Force, and Fault LEDs perform a walking bit pattern. The screen as shown below is displayed on the LCD as well.



4. When the download is complete, the integrity of the new OS is checked. If the new OS is corrupt, the controller sends an error message to the download tool and flashes the Missing or Corrupt OS LED pattern. See [Missing or Corrupt OS LED Pattern on page 144](#) below.
5. Following a successful transfer, the Run, Force, and Fault LEDs flash on and remain on for five seconds. Then the controller resets.

Missing or Corrupt OS LED Pattern

When an operating system download is not successful or if the controller does not contain a valid operating system, the controller flashes the Run, Force, and Fault LEDs on and off.

Connect to Networks via RS-232/RS-485 Interface

The following protocols are supported from the RS-232/RS-485 communication channel (Channel 0):

- DF1 Full-duplex
- DF1 Half-duplex master/slave
- DF1 Radio modem
- DH-485
- Modbus RTU master/slave
- ASCII

RS-232 Communication Interface

The communications port on the MicroLogix 1100 controller utilizes a combined RS-232/RS-485 interface. RS-232 and RS-485 are Electronics Industries Association (EIA) standards that specify the electrical and mechanical characteristics for serial binary communication. They provide various system configuration possibilities. RS-232 and RS-485 define electrical connection characteristics, not protocols.

One of the biggest benefits of an RS-232 interface is that it lets you integrate telephone and radio modems into your control system (using the appropriate DF1 protocol only, not DH-485 protocol), but it is for point-to-point connections only between two devices.

RS-485 Communication Interface

The RS-485 interface supports connection of up to 32 devices in a multidrop hard-wired configuration using DH-485, DF1 Half-duplex^(a), or Modbus protocols. Also, the RS-485 interface supports connection in a multidrop hard-wired configuration using ASCII protocols.

DF1 Full-duplex Protocol

DF1 Full-duplex protocol provides a point-to-point connection between two devices. DF1 Full-duplex protocol combines data transparency (American National Standards Institute ANSI - X3.28-1976 specification subcategory D1) and 2-way simultaneous transmission with embedded responses (subcategory F1).

MicroLogix 1100 controllers support the DF1 Full-duplex protocol via RS-232 connection to external devices, such as computers, or other controllers that support DF1 Full-duplex.

DF1 is an open protocol. See the DF1 Protocol and Command Set Reference Manual, publication [1770-RM516](#), for more information.

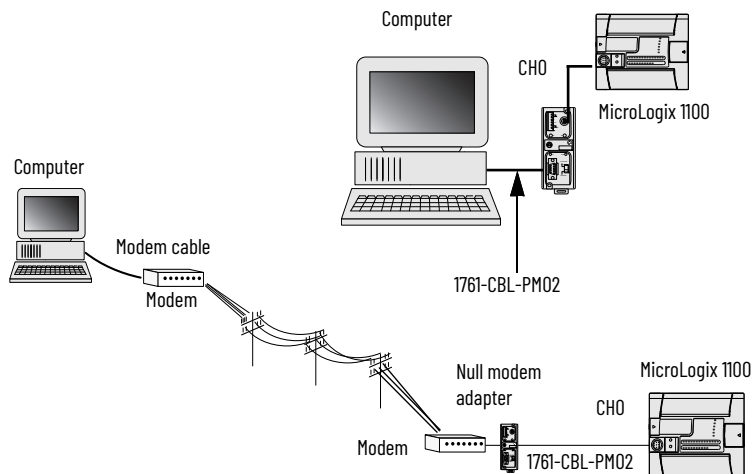
DF1 Full-duplex protocol (also referred to as DF1 point-to-point protocol) is useful where RS-232 point-to-point communication is required. DF1 protocol controls message flow, detects and signals errors, and retries if errors are detected.

Example DF1 Full-Duplex Connections

For information about required network connecting equipment, see [Communication Connections on page 51](#).

(a) OS series B FRN 4 or later.

Figure 91 - Example of DF1 Full-duplex Connections



DF1 Half-duplex Protocol

DF1 Half-duplex protocol is a multi-drop single master/multiple slave network. DF1 Half-duplex protocol supports data transparency (American National Standards Institute ANSI - X3.28-1976 specification subcategory D1). In contrast to DF1 Full-duplex, communication takes place in one direction at a time. You can use the RS-232/RS-485 port on the MicroLogix 1100 controller as both a half-duplex programming port and a half-duplex peer-to-peer messaging port.

DF1 Half-duplex Operation

A DF1 Half-duplex master device initiates all communication by polling each slave device. The slave device can only transmit when it is polled by the master. It is the master's responsibility to poll each slave on a regular and sequential basis to allow slave devices an opportunity to communicate.

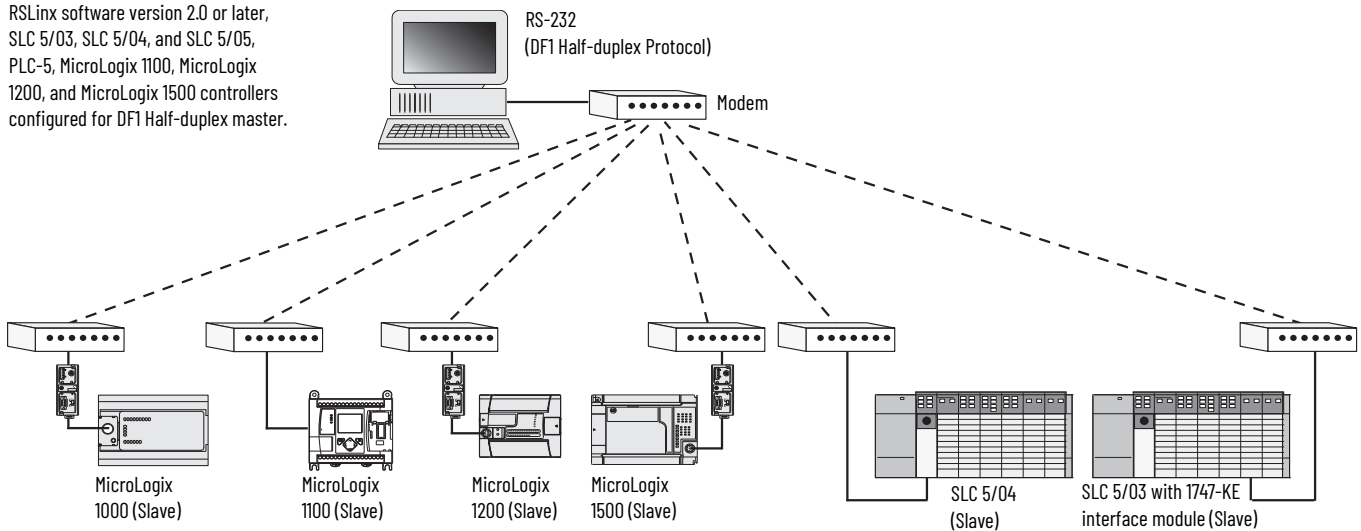
An additional feature of the DF1 Half-duplex protocol is that it is possible for a slave device to enable a MSG write or read to/from another slave. When the initiating slave is polled, the MSG is sent to the master. The master recognizes that the message is not intended for it, but for another slave, so the master immediately forwards the message to the intended slave. The master does this automatically; you do not need to program the master to move data between slave nodes. This slave-to-slave transfer can also be used by programming software to allow slave-to-slave upload and download of programs to processors (including the master) on the DF1 Half-duplex link.

A MicroLogix 1100 controller can act as the master or as a slave on a Half-duplex network. When the MicroLogix 1100 controller is a slave device, a master device is required to run the network. Several other Allen-Bradley products support the DF1 Half-duplex master protocol. They include the SLC 5/03 and higher processors, enhanced PLC-5 processors, MicroLogix 1200 or MicroLogix 1500 controllers, and RSLinx software (version 2.x or later).

DF1 Half-duplex supports up to 255 devices (address 0...254) with address 255 reserved for master broadcasts. As a DF1 Half-duplex slave device, the MicroLogix 1100 controller supports broadcast reception. As a DF1 Half-duplex master, the MicroLogix 1100 controller supports both the reception and initiation of broadcast write commands (via the MSG instruction). The MicroLogix 1100 controller also supports Half-duplex modems using RTS/CTS hardware handshaking.

Figure 92 – Example of DF1 Half-duplex Connections

RSLinx software version 2.0 or later,
SLC 5/03, SLC 5/04, and SLC 5/05,
PLC-5, MicroLogix 1100, MicroLogix
1200, and MicroLogix 1500 controllers
configured for DF1 Half-duplex master.



Considerations When Communicating as a DF1 Slave on a Multi-drop Link

When communication is between either your programming software and a MicroLogix Programmable Controller or between two MicroLogix 1100 Programmable Controllers via slave-to-slave communication on a larger multi-drop link, the devices depend on a DF1 Half-duplex master to give each of them access in a timely manner. As the number of slave devices increase, the time between when slave devices are polled also increases. This increase in time may also be large if you are using low communication rates. As these time periods grow, consider increasing the poll timeout and reply timeout values for slave devices.

IMPORTANT

If a program download is started when using DF1 Half-duplex, but then is interrupted due to electromagnetic interference or other events, discontinue communications to the controller for the ownership timeout period and then restart the program download. The ownership timeout period is 60 seconds. After the timeout, you can re-establish communications with the processor and try the program download again. The only other way to remove program ownership is to cycle power on the processor.

Use Modems with MicroLogix Programmable Controllers

The types of modems you can use with MicroLogix controllers include the following:

- **Dial-up phone modems**
A MicroLogix controller, on the receiving end of the dial-up connection, can be configured for DF1 Full-duplex protocol with or without handshaking. The modem connected to the MicroLogix controller should support auto-answer. The MicroLogix 1100 controller supports ASCII out communications. Therefore, it can cause a modem to initiate or disconnect a phone call.
- **Leased-line modems**
Leased-line modems are used with dedicated phone lines that are typically leased from the local phone company. The dedicated lines can be in a point-to-point topology to support full-duplex communications between two modems or in a multi-drop topology to support half-duplex communications between three or more modems.
- **Radio modems**
Radio modems can be implemented in a point-to-point topology to support either half-duplex or full-duplex communications, or in a multi-drop topology to support half-

duplex communications between three or more modems. MicroLogix 1100 controllers also support the DF1 Radio Modem protocol.

- **Line drivers**
Line drivers, also called short-haul modems, do not actually modulate the serial data, but rather condition the electrical signals to operate reliably over long transmission distances (up to several miles). Line drivers are available in full-duplex and half-duplex models. Allen-Bradley's AIC+ Advanced Interface Converter is a half-duplex line driver that converts an RS-232 electrical signal into an RS-485 electrical signal, increasing the signal transmission distance from 15...1219 m (50...4000 ft.), 2438 m (8000 ft.) when bridged.

For point-to-point full-duplex modem connections that do not require any modem handshaking signals to operate, use DF1 Full-duplex protocol with no handshaking. For point-to-point Full-duplex modem connections that require RTS/CTS handshaking, use DF1 Full-duplex protocol with handshaking.

For radio modem connections, use DF1 Radio Modem protocol, especially if store and forward capability is required.

For general multi-drop modem connections, or for point-to-point modem connections that require RTS/CTS handshaking, use DF1 Half-duplex slave protocol. In this case, one (and only one) of the other devices must be configured for DF1 Half-duplex master protocol.

IMPORTANT Never attempt to use DH-485 protocol through modems under any circumstance.



All MicroLogix controllers support RTS/CTS modem handshaking when configured for DF1 Full-duplex protocol with the control line parameter set to Full-duplex Modem Handshaking or DF1 Half-duplex slave protocol with the control line parameter set to "Half-Duplex Modem". No other modem handshaking lines (for instance, Data Set Ready and Data Terminal Ready) are supported by MicroLogix 1100 controller. MicroLogix 1100 controller also does not support DCD (Data Carrier Detect).

DH-485 Communication Protocol

The DH-485 protocol defines the communication between multiple devices that coexist on a single pair of wires. DH-485 protocol uses RS-485 Half-duplex as its physical interface. RS-485 is a definition of electrical connection characteristics; it is not a protocol. RS-485 uses devices that can coexist on a common data circuit, thus allowing data to be easily shared between devices.

The DH-485 network offers:

- Interconnection of 32 devices
- Multi-master (peer-to-peer) capability
- Token passing access control
- The ability to add or remove nodes without disrupting the network
- Maximum network segment of 1219 m (4000 ft.)

The DH-485 protocol supports two classes of devices: initiators and responders. All initiators on the network get a chance to initiate message transfers. To determine which initiator has the right to transmit, a token passing algorithm is used.

Control of message transfers on the DH-485 network is performed by rotating the token along the nodes on the network. A node holding the token can send a message onto the network. Each node is allowed a fixed number of transmissions (based on the Token Hold Factor) each time it receives the token. After a node sends a message, it passes the token to the next device.

The allowable range of node addresses is 1...31. There must be at least one initiator on the network (such as a MicroLogix controller, or an SLC 5/02 or later processor).

DH-485 Configuration Parameters

When MicroLogix communications are configured for DH-485, the following parameters can be changed:

Table 40 - DF1 Full-Duplex Configuration Parameters

Parameter	Options
Communication Rate	9600, 19.2K
Node Address	1...31 decimal
Token Hold Factor	1...4

See [Software Considerations on page 150](#) for tips on setting the parameters listed above.

Devices that use the DH-485 Network

In addition to the MicroLogix controllers, the devices that are shown in [Table 41](#) also support the DH-485 network.

Table 41 - Devices that Support a DH-485 Network

Catalog Number	Description	Installation	Function	Publication
Bulletin 1762	MicroLogix 1200	Series A or later	These controllers support DH-485 communications.	1762-UM001
Bulletin 1764	MicroLogix 1500	Series A or later	These controllers support DH-485 communications.	1764-UM001
Bulletin 1766	MicroLogix 1400	Series A or later	These controllers support DH-485 communications.	1766-UM001
Bulletin 1747 Processors	SLC 500 Processors	SLC Chassis	These processors support a variety of I/O requirements and functionality.	1747-UM011
1746-BAS	BASIC Module	SLC Chassis	Provides an interface for SLC 500 devices to foreign devices. Program in BASIC to interface the 3 channels (2 RS232 and 1 DH-485) to printers, modems, or the DH-485 network for data collection.	1746-UM004 1746-PM001 1746-RM001
1784-KTX, 1784-KTXD	PC DH-485 IM	PCI Computer Bus	Provides DH-485 using RSLinx software	1784-UM527
1784-PCMK	PCMCIA IM	PCMCIA slot in computer	Provides DH-485 using RSLinx software	1784-UM519
2711-K5A2, 2711-B5A2, 2711-K5A5, 2711-B5A5, 2711-K5A1, 2711-B5A1, 2711-K9A2, 2711-T9A2, 2711-K9A5, 2711-T9A5, 2711-K9A1, 2711-T9A1	PanelView 550 and PanelView 900 Operator Terminals	Panel Mount	Provides electronic operator interface for SLC 500 processors	2711-UM014

Important DH-485 Network Planning Considerations

Carefully plan your network configuration before installing any hardware. Some of the factors that can affect system performance are:

- Amount of electrical noise, temperature, and humidity in the network environment
- Number of devices on the network
- Connection and grounding quality in installation
- Amount of communication traffic on the network
- Type of process being controlled
- Network configuration

The major hardware and software issues you must resolve before installing a network are discussed in the following sections.

Hardware Considerations

You must decide the length of the communication cable, where you route it, and how to protect it from the environment where it will be installed.

When the communication cable is installed, you must know how many devices are to be connected during installation and how many devices can be added in the future. The following sections help you understand and plan the network.

Number of Devices and Length of Communication Cable

The maximum length of the communication cable is 1219 m (4000 ft.). This is the total cable distance from the first node to the last node in a segment. However, two segments can be used to extend the DH-485 network to 2438 m (8000 ft.). For additional information on connections using the AIC+, see the AIC+ Advanced Interface Converter User Manual, publication [1761-UM004](#).

Planning Cable Routes

Follow these guidelines to help protect the communication cable from electrical interference:

- Keep the communication cable at least 1.52 m (5 ft.) from any electric motors, transformers, rectifiers, generators, arc welders, induction furnaces, or sources of microwave radiation.
- If you must run the cable across power feed lines, run the cable at right angles to the lines.
- If you do not run the cable through a contiguous metallic wireway or conduit, keep the communication cable at least 0.15 m (6 in.) from AC power lines of less than 20 A, 0.30 m (1 ft.) from lines greater than 20 A, but only up to 100 kVA, and 0.60 m (2 ft.) from lines of 100 kVA or more.
- If you run the cable through a contiguous metallic wireway or conduit, keep the communication cable at least 0.08 m (3 in.) from AC power lines of less than 20 A, 0.15 m (6 in.) from lines greater than 20 A, but only up to 100 kVA, and 0.30 m (1 ft.) from lines of 100 kVA or more.

Run the communication cable through a conduit to provide extra protection from physical damage and electrical interference. If you route the cable through a conduit, follow these additional recommendations:

- Use ferromagnetic conduits near critical sources of electrical interference. You can use aluminum conduits in non-critical areas.
- Use plastic connectors to couple between aluminum and ferromagnetic conduit. Make an electrical connection around the plastic connector (use pipe clamps and the heavy gauge wire or wire braid) to hold both sections at the same potential.
- Ground the entire length of conduit by attaching it to the building earth ground.
- Do not let the conduit touch the plug on the cable.
- Arrange the cables loosely within the conduit. The conduit should contain only serial communication cables.
- Install the conduit so that it meets all applicable codes and environmental specifications.

For more information on planning cable routes, see Industrial Automation Wiring and Grounding Guidelines, publication [1770-4.1](#).

Software Considerations

Software considerations include the configuration of the network and the parameters that can be set to the specific requirements of the network. The following are major configuration factors that have a significant effect on network performance:

- Number of nodes on the network
- Addresses of those nodes
- Communication rate

The following sections explain network considerations and describe ways to select parameters for optimum network performance (speed). See your programming software's user manual for more information.

Number of Nodes

The number of nodes on the network directly affects the data transfer time between nodes. Unnecessary nodes (such as a second programming terminal that is not being used) slow the data transfer rate. The maximum number of nodes on the network is 32.

Setting Node Addresses

The best network performance occurs when node addresses are assigned in sequential order. Assign initiators, such as computers, the lowest numbered addresses to minimize the time that is required to initialize the network. The valid range for the MicroLogix controllers is 1...31 (controllers cannot be node 0). The default setting is 1. The node address is stored in the controller Communications Status file (CS0:5/0 to CS0:5/7).

Setting Controller Communication Rate

The best network performance occurs at the highest communication rate, which is 19,200. 19,200 is the default communication rate for a MicroLogix device on the DH-485 network. All devices must be at the same communication rate. This rate is stored in the controller Communications Status file (CS0:5/8 to CS0:5/15).

Setting Maximum Node Address

Once you have an established network set up and are confident that you are not adding more devices, you can enhance performance by adjusting the maximum node address of your controllers. Set it to the highest node address being used.

IMPORTANT Set all devices to the same maximum node address.

MicroLogix Remote Packet Support

MicroLogix controllers can respond and initiate with communications (or commands) that do not originate on the local DH-485 network. This is useful in installations where communication is needed between DH-485 and DH+™ networks.

The example below shows how to send messages from a device on the DH+ network to a MicroLogix controller on the DH-485 network. This method uses an SLC 5/04 processor as the bridge connection.

When using this method (as shown in the illustration below):

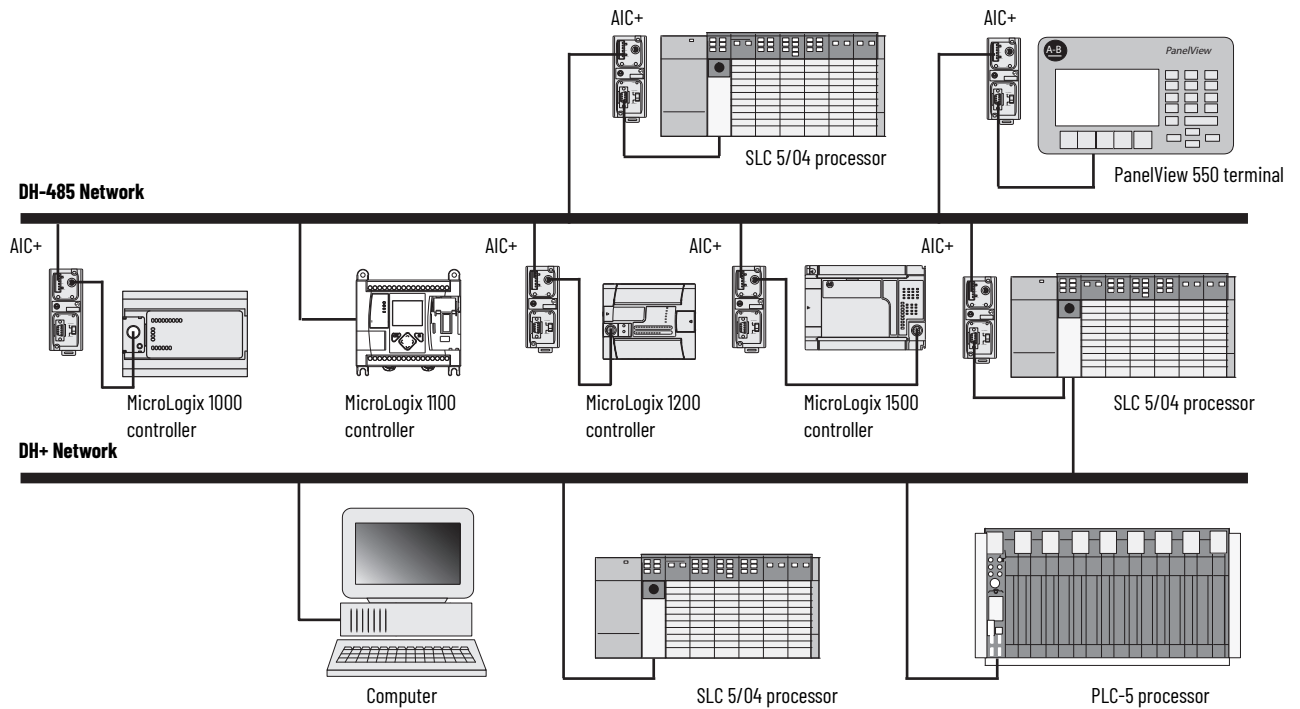
- PLC-5 devices can send read and write commands to MicroLogix controllers.
- MicroLogix controllers can respond to MSG instructions received.
- MicroLogix controllers can initiate MSG instructions to devices on the DH+ network.
- The computer can send read and write commands to MicroLogix controllers.
- The computer can do remote programming of MicroLogix controllers.



Use a 1763-NC01 series A or later cable to connect a MicroLogix 1100 controller to a DH-485 network.

You can connect a MicroLogix 1100 controller to your DH-485 network directly without using a RS-232 to RS-485 converter and optical isolator, such as the AIC+ Advanced Interface Converter, 1761-NET-AIC, as shown in [Figure 94](#), because Channel 0 has isolation and RS-485 built-in.

Figure 93 - Communication Between DH-485 and DH+ Networks with MicroLogix Controllers



Example DH-485 Connections

The following network diagrams provide examples of how to connect MicroLogix controllers to the DH-485 network. You can connect a MicroLogix 1100 controller to your DH-485 network directly without using a RS-232 to RS-485 converter and optical isolator, such as the AIC+ Advanced Interface Converter, 1761-NET-AIC, as shown in [Figure 94](#), because Channel 0 has isolation and RS-485 built-in.

However, you can use an AIC+ to connect other controllers to a DH-485 network.

Figure 94 - DH-485 Network with a MicroLogix 1100 Controller

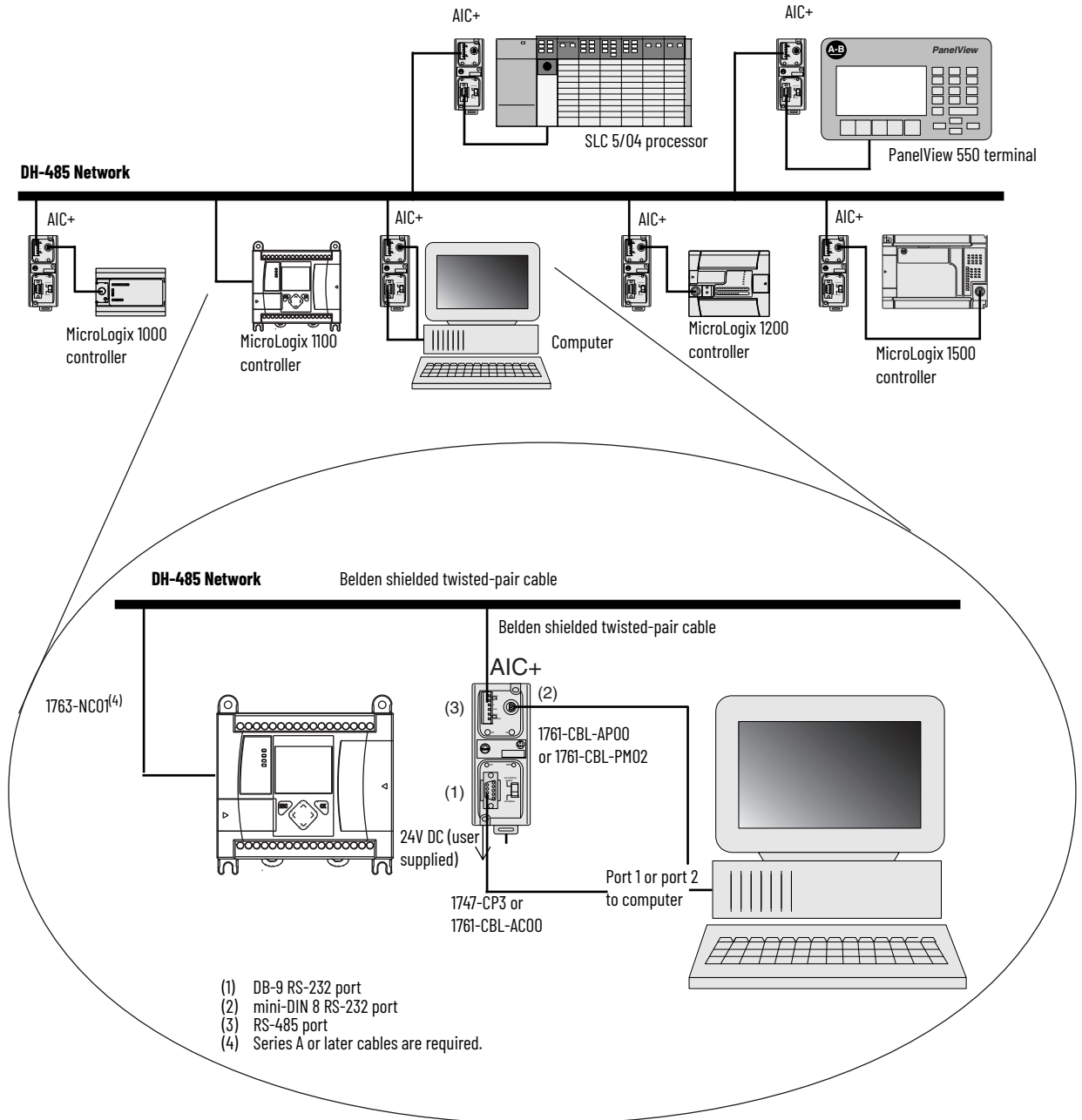
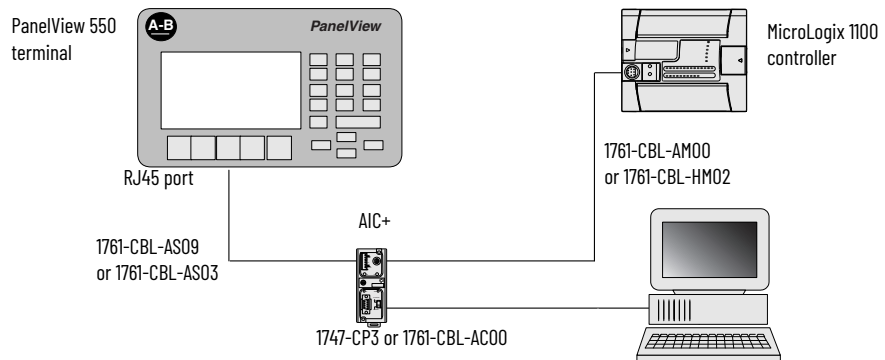


Figure 95 - Typical 3-Node Network



This 3-node network is not expandable.

Modbus Communication Protocol

Modbus is a Half-Duplex, master-slave communications protocol. The Modbus network master reads and writes coils and registers. Modbus protocol allows a single master to communicate with a maximum of 247 slave devices. MicroLogix 1100 controllers support Modbus RTU master and Modbus RTU slave protocol.

For more information on how to configure your MicroLogix 1100 controller for Modbus protocol, see the MicroLogix 1100 Programmable Controllers Instruction Set Reference Manual, publication [1763-RM001](#). For more information about the Modbus protocol, see the Modbus Protocol Specifications (available from www.modbus.org).

ASCII

ASCII provides connection to other ASCII devices, such as barcode readers, weigh scales, serial printers, and other intelligent devices.

You can use ASCII by configuring the RS-232/RS-485 port, channel 0 for the ASCII driver. For detailed configuration information, see the MicroLogix 1100 Programmable Controllers Instruction Set Reference Manual, publication [1763-RM001](#).

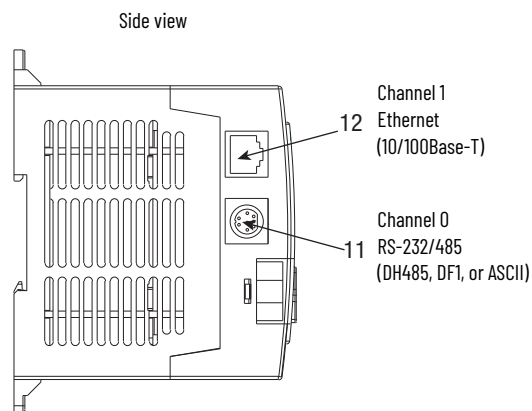
Connect to Networks via Ethernet Interface

MicroLogix 1100 Controllers and Ethernet Communication

Ethernet is a local area network that provides communication between various devices at 10...100 Mbps. The physical communication media options for the MicroLogix 1100 controllers are:

- Built-in
 - Twisted-pair (10/100Base-T)
- With media converters or hubs
 - Fiber optic
 - Broadband
 - Thick-wire coaxial cable (10Base-5)
 - Thin-wire coaxial cable (10Base-2)

The MicroLogix 1100 controller supports Ethernet communication via the Ethernet communication channel 1 shown.



MicroLogix 1100 Performance Considerations

Actual performance of an MicroLogix 1100 controller varies according to:

- Size of Ethernet messages
- Frequency of Ethernet messages
- Network loading
- Implementation of and performance of your processor application program

Table 42 - Optimal Performance: RSLinx Software to MicroLogix 1100 Series A OS FRN 3 Controller (2-node Ethernet network)

Operation	Words	MSG per Second	Words per Second
Single Typed Read	1	20	20
Single Typed Reads	20	20	400
Single Typed Reads	100	20	2000

Table 43 - Optimal Performance: MicroLogix 1100 FRN 3 to MicroLogix 1100 Series A OS FRN 3 Controller (2-node Ethernet network)

Operation	Words	MSG per Second	Words per Second
Single Typed Read	1	11	11
Single Typed Reads	20	11	220
Single Typed Reads	100	11	1,100

Table 44 - Optimal Performance: RSLinx Software to MicroLogix 1100 Series B OS FRN 4 Controller

Operation	Words	MSG per Second	Words per Second
Single Typed Read	1	50	50
Single Typed Reads	20	50	2,500
Single Typed Reads	100	50	5,000

Table 45 - Optimal Performance: MicroLogix 1100 Series A OS FRN 3 to MicroLogix 1100 Series B OS FRN 4 Controller

Operation	Words	MSG per Second	Words per Second
Single Typed Read	1	18	18
Single Typed Reads	20	18	360
Single Typed Reads	100	18	1,800

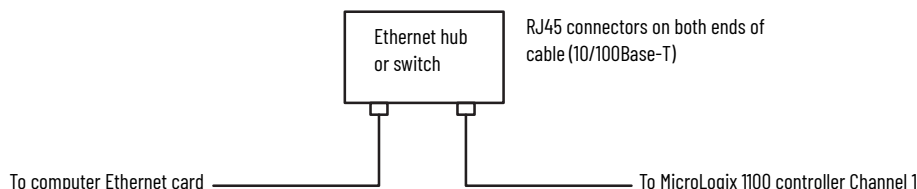
Table 46 - Optimal Performance: MicroLogix 1100 Series B OS FRN 4 to MicroLogix 1100 Series B OS FRN 4 Controller

Operation	Words	MSG per Second	Words per Second
Single Typed Read	1	20	20
Single Typed Reads	20	20	400
Single Typed Reads	100	20	2,000

MicroLogix 1100 and Computer Connections to the Ethernet Network

The MicroLogix 1100 Ethernet connector conforms to ISO/IEC 8802-3 STD 802.3 and utilizes 10/100Base-T media. Connections are made directly from the MicroLogix 1100 controller to an Ethernet hub or switch. The network setup is simple and cost effective. Typical network topology is shown in [Figure 96](#).

Figure 96 - Ethernet Network Topology



IMPORTANT

The MicroLogix 1100 controller contains a 10/100Base-T RJ45 Ethernet connector, which connects to standard Ethernet hubs or switches via 8-wire twisted-pair straight-through cable. To access other Ethernet mediums, use 10/100Base-T media converters or Ethernet hubs or switches that can be connected together via fiber, thin-wire, or thick-wire coaxial cables, or any other physical media commercially available with Ethernet hubs or switches.

Connect an Ethernet switch on the Ethernet Network

The MicroLogix 1100 Ethernet port supports the following Ethernet settings:

- 10 Mbps half-duplex or full-duplex
- 100 Mbps half-duplex or full-duplex

Mode selection can be automatic, based on the IEEE 802.3 auto negotiation protocol. In most cases, using the auto negotiation function results in proper operation between a switch port and MicroLogix 1100 Ethernet port.

With RSLogix500 programming software version 7.00.00 or later, you can manually set the communication rate and duplex mode of an Ethernet port you have connected to the switch port. The settings of the Ethernet port and the switch port must match.

IMPORTANT

When connecting the MicroLogix 1100 Ethernet port to a 10/100Base-T Ethernet switch, note the following recommendations:

- Use the auto negotiation function for both the switch port and the MicroLogix 1100 Ethernet port.
- If you want to force to a specific speed/duplex mode, you should force the MicroLogix 1100 Ethernet port and leave the switch in auto negotiation mode to match speed/duplex settings of the MicroLogix 1100 Ethernet port.
- If you want to disable the auto negotiation function for both ports, then you should only force both the switch and the MicroLogix 1100 port to either 100 Mbps half-duplex or 10 Mbps half-duplex. If you attempt to force both the switch and the MicroLogix1100 port to either 100 Mbps full-duplex or 10 Mbps full-duplex, the Ethernet link does not establish and Ethernet communications does not work.

Cables

Shielded and non-shielded twisted-pair 10/100Base-T cables with RJ45 connectors are supported. The maximum cable length between a MicroLogix 1100 Ethernet port and a 10/100Base-T port on an Ethernet hub or switch (without repeaters or fiber) is 100 m (323 ft.). However, in an industrial application, keep the cable length to a minimum.



The Ethernet cabling with straight-through method is recommended as shown in [Table 47](#). Do not make the incorrect connection.

Table 47 - Straight-through Cabling

Pin	Pin Name	Cable Color
1	Tx+	Orange/white
2	Tx-	Orange
3	Rx+	Green/white
4	Not used by 10/100Base-T	Blue
5	Not used by 10/100Base-T	Blue/white
6	Rx-	Green
7	Not used by 10/100Base-T	Brown/white
8	Not used by 10/100Base-T	Brown

The standard Ethernet cable is terminated in accordance with EIA/TIA 568B on both ends. The crossover cable is terminated to EIA/TIA 568B at one end and EIA/TIA 568A at the other, exactly as shown in [Figure 97](#).

[Figure 97](#) and [Figure 98](#) show how the TIA/EIA 568A and 568B are to be terminated. There are four pairs of wires contained in a CAT5 UTP cable. These pairs of cables are color-coded white blue/blue, white orange/orange, white green/green, and white brown/brown. They are also numbered one to four in the order shown.

Figure 97 - EIA/TIA 568A and 568B Ethernet Cable

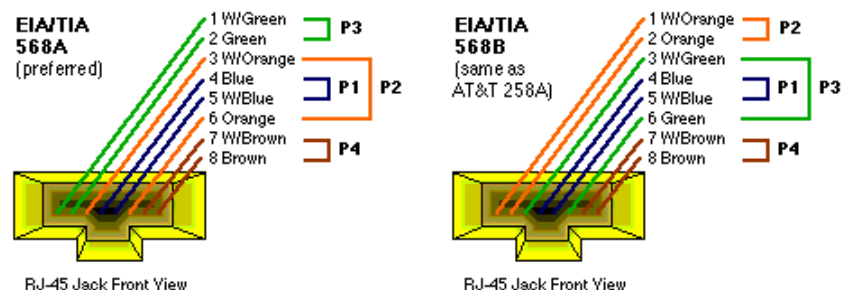
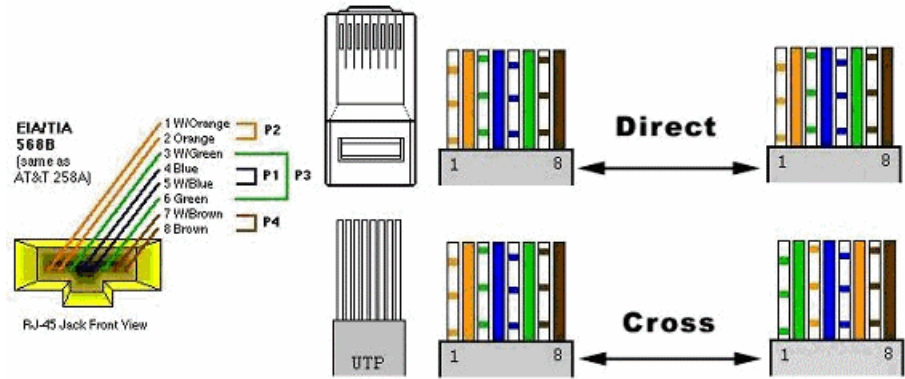


Figure 98 - EIA/TIA 568A and 568B Cable Termination



The most common wiring for RJ45 cables is the straight-through cable that means that pin 1 of the plug on one end is connected to pin 1 of the plug on the other end. The straight-through RJ45 cable is commonly used to connect network cards with hubs on 10Base-T and 100Base-Tx networks. On network cards, pair 1...2 is the transmitter, and pair 3...6 is the receiver. The other two pairs are not used. On hubs pair 1...2 is the receiver and 3...6 the transmitter. Wire your cables with the same color sequence. In this cable layout, all pins are wired one-to-one to the other side. The pins on the RJ45 connector are assigned in pairs, and every pair carries one differential signal. Each line pair has to be twisted.

In small network where only two Ethernet devices must be connected together, a crossover RJ45 cable is necessary, where the transmit and receive lines on both RJ45 connectors are cross connected. The color coding for the crossover RJ45 cable have been defined in the EIA/TIA 568A standard. In a crossover cable layout, remember that one end is normal, and the other end has the crossover configuration.

Ethernet Connections

TCP/IP is the mechanism used to transport Ethernet messages. On top of TCP, EtherNet/IP protocol is required to establish sessions and to send the MSG commands. You can initiate connections by either a client program (RSLinx software) or a processor.

The client program or processor must first establish a connection to the MicroLogix 1100 controller to enable the controller to receive solicited messages from a client program or another processor.

To send an outgoing message, the MicroLogix 1100 controller must first establish a connection with the destination node at a specified IP address on the Ethernet network. A connection is established when a MSG instruction executes and no previous connection exists.

When a MSG instruction executes, the MicroLogix 1100 controller checks to see whether a connection has been established with the destination node. If a connection has not been established, the MicroLogix 1100 controller attempts to establish a connection of the peer type.

To receive messages from another device on Ethernet, an incoming connection must be established. This incoming connection is made by the sending processor and uses one incoming connection in the receiving processor.

The MicroLogix 1100 controller supports a maximum of 32 connections, allowing a maximum of 16 outgoing and a maximum of 16 incoming simultaneous connections with up to 32 other devices or applications. The connections are dedicated as follows:

Number of Connections ⁽¹⁾	Dedicated to
16	Outgoing connections
16	Incoming connections

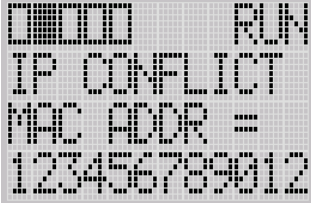
(1) Connections established by an INTERCHANGE™ client, RSLinx client, and peers are all included when counting the number of connections.

IMPORTANT For outgoing connections, no more than one connection per destination node is established. If multiple MSG instructions use the same destination node, they share the same connection.

Duplicate IP address Detection

The MicroLogix 1100 controller series B firmware supports duplicate IP address detection.

When you change the IP address or connect one of the MicroLogix controllers to an EtherNet/IP network, the MicroLogix 1100 controller checks to make sure that the IP address that is assigned to this device does not match the address of any other network device. The MicroLogix 1100 controller checks every 2 minutes for a duplicate IP address on the network. If the MicroLogix 1100 controller determines that there is a conflict (another device on the network with a matching IP address), the following message is posted on the LCD display.



```

00000000 RUN
IP CONFLICT
MAC ADDR =
123456789012

```

To correct this conflict, use the instructions in this chapter to change the IP address of the EtherNet/IP device. Then cycle power to the device or reset the device (such as disconnecting the Ethernet cable and reconnecting the cable).

There is also the possibility that two EtherNet/IP devices can detect a conflict simultaneously. If this occurs, remove the device with the incorrect IP address or correct its conflict. To get the second device out of conflict mode, cycle power to the module or disconnect its Ethernet cable and reconnect the cable. The MicroLogix 1100 controller checks every 2 minutes for a duplicate IP address on the network.

Configure the Ethernet Channel on the MicroLogix 1100 Controller

There are two ways to configure the MicroLogix 1100 Ethernet channel 1.

- With a BOOTP or DHCP request at controller power-up
- Manually setting the configuration parameters using RSLogix 500 programming software

The configuration parameters are shown in [Table 48](#).

Table 48 - Ethernet Configuration Parameters

Parameter	Description	Default	Status
Hardware Address	The MicroLogix 1100 controller Ethernet hardware address	Ethernet hardware address	Read-only
IP Address	The MicroLogix 1100 controller Internet address (in network byte order). The Internet address must be specified to connect to the TCP/IP network.	0 (undefined)	Read/write
Subnet Mask	The MicroLogix 1100 controller subnet mask (in network byte order). The subnet mask is used to interpret IP addresses when the Internet is divided into subnets. A subnet mask of all zeros indicates that no subnet mask has been configured.	0 (undefined)	Read/write
Gateway Address	The address of a gateway (in network byte order) that provides connection to another IP network. A gateway address of all zeros indicates that no gateway has been configured.	0 (undefined)	Read/write
Default Domain Name	The default domain name can have the following formats: 'a.b.c', 'a.b' or 'a', where a, b, c must start with a letter, end with a letter or digit, and have as interior characters only letters, digits, or hyphens. The maximum length is 63 characters.	NULL (undefined)	Read/write
Primary Name Server	The IP address of the computer acting as the local Ethernet network Primary Domain Name System (DNS) server	0 (undefined)	Read/write
Secondary Name Server	The IP address of the computer acting as the local Ethernet network Secondary Domain Name System (DNS) server.	0 (undefined)	Read/write

Table 48 - Ethernet Configuration Parameters (Continued)

Parameter	Description	Default	Status
BOOTP Enable	The BOOTP enable switch. When BOOTP is enabled, the MicroLogix 1100 controller attempts to learn its network related parameters at power-up via a BOOTP request. There must be a BOOTP server on the network capable of responding to this BOOTP request. When both BOOTP and DHCP are disabled, the MicroLogix 1100 controller uses the locally configured network-related parameters (IP address, subnet mask, broadcast address, and so on).	1 (enabled)	Read/write
DHCP Enable	The DHCP auto configuration enable switch. When DHCP is enabled, a DHCP server automatically assigns network-related parameters to the MicroLogix 1100 controller when it signs in a TCP/IP network. There must be a DHCP server on the network capable of allocating network addresses and configuring parameters to newly attached device. When both BOOTP and DHCP are disabled, the MicroLogix 1100 controller uses the locally configured network-related parameters (IP address, subnet mask, broadcast address, and so on).	0 (disabled)	Read/write
SNMP Server Enable	The SNMP enable switch. Select to enable SNMP (Simple Network Management Protocol). Not applicable to the MicroLogix 1100 controller.	0 (disabled)	Read/write
SMTP Client Enable (Series B only)	The SMTP Client service enable switch. When SMTP is enabled, the MicroLogix 1100 controller is capable of transmitting email messages that are generated by a 485CIF write message with a string element. There must be an SMTP process email service. This provides a versatile mechanism to report alarms, status, and other data-related functions.	0 (disabled)	Read/write
Auto Negotiate and Port Setting	When Auto Negotiate is disabled (unchecked), the Ethernet speed/duplex is forced to either 10 Mbps/Half-duplex, 10 Mbps/Full-duplex, 100 Mbps/Half-duplex, or 100 Mbps/Full-duplex, as selected in the Port Setting field. When Auto Negotiate is enabled (checked), the Port Setting field allows you to select the range of speed/duplex settings that the MicroLogix 1100 controller negotiates.	Auto Negotiate enabled and Port Setting. 10/100 Mbps Full-duplex/ Half-duplex	Read/write
MSG Connection Timeout	The amount of time (in ms) allowed for a MSG instruction to establish a connection with the destination node. The MSG Connection Timeout has 250 ms resolution and a range from 250...65,500.	15,000 ms	Read/write
MSG Reply Timeout	The amount of time (in ms) that the MicroLogix 1100 controller will wait for a reply to a command that it has initiated via a MSG instruction. The MSG Reply Timeout has 250 ms resolution and a range from 250...65,500.	3,000 ms	Read/write
Inactivity Timeout (Series B only)	The amount of time (in minutes) that a MSG connection could remain inactive before it is ended. The Inactivity Timeout has a 1 minute resolution and a range from 1...65,500 minutes.	30 minutes	Read/write

Configure Using RSLogix 500 Programming Software

See the online documentation provided with your programming software.

Configure Using BOOTP

Bootstrap protocol (BOOTP) is a low-level protocol that TCP/IP nodes use to obtain startup information. By default, the MicroLogix 1100 controller broadcasts BOOTP requests at power-up. The BOOTP Valid parameter remains clear until a BOOTP reply has been received. BOOTP lets you dynamically assign IP addresses to processors on the Ethernet Link.

To use BOOTP, a BOOTP server must exist on the local Ethernet subnet. The server is a computer that has BOOTP server software installed and reads a text file containing network information for individual nodes on the network.

The host system's BOOTP configuration file must be updated to service requests from MicroLogix 1100 controllers. The parameters in [Table 49](#) must be configured.

Table 49 - Configuration Parameters

Parameter	Description
IP Address	A unique IP Address for the MicroLogix 1100 controller
Subnet Mask	Specifies the net and local subnet mask as per the standard on subnetting RFC 950, Internet Standard Subnetting Procedure
Gateway	Specifies the IP address of a gateway on the same subnet as the MicroLogix 1100 controller that provides connections to another IP network

When BOOTP is enabled, the following events occur at power-up:

- The processor broadcasts a BOOTP-request message containing its hardware address over the local network or subnet.
- The BOOTP server compares the hardware address with the addresses in its look-up table.
- The BOOTP server sends a message back to the processor with the IP address and other network information that corresponds to the hardware address it received.

With all hardware and IP addresses in one location, you can easily change IP addresses in the BOOTP configuration file if your network must be changed.

The BOOTP request can be disabled by clearing the BOOTP Enable parameter in the channel configuration file. When both BOOTP Enable and DHCP are cleared (disabled), the MicroLogix 1100 controller uses the existing channel configuration data.

IMPORTANT If BOOTP is disabled, or no BOOTP server exists on the network, you must use RSLogix 500 programming software to enter/change the IP address for each processor or you must use DHCP instead of it.

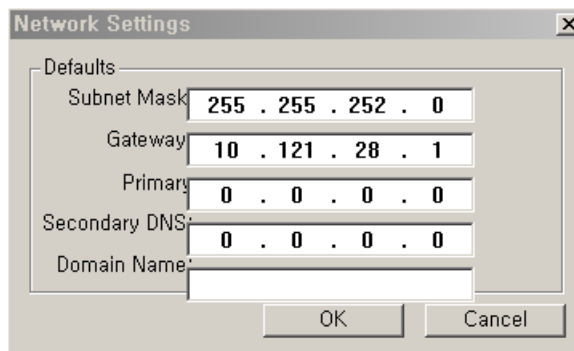
Using the Rockwell Automation BOOTP/DHCP Utility

The Rockwell Automation BOOTP/DHCP server utility is a standalone program that incorporates the functionality of standard BOOTP software with a user-friendly graphical interface. It is located in the Utils directory on the RSLogix 500 installation CD.

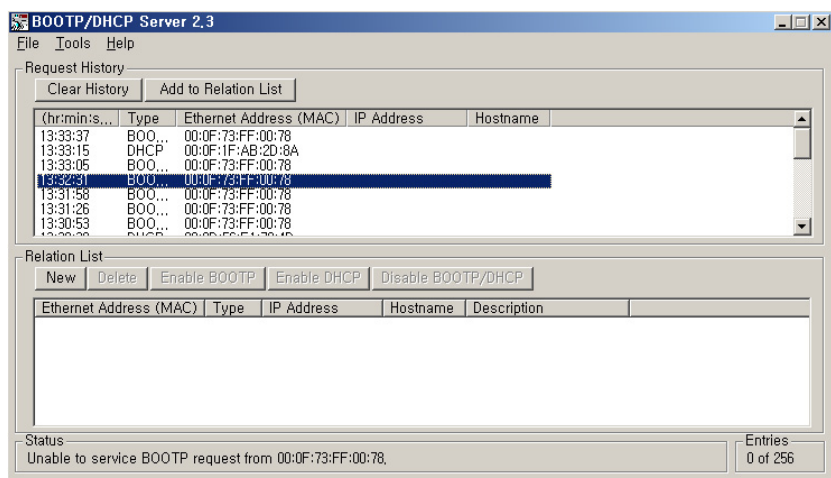
The newest version of the utility can be downloaded from the Product Compatibility and Download Center (PCDC) at rok.auto/pcdc. The device must have BOOTP enabled (factory default) or DHCP enabled to use the utility.

To configure your device using the BOOTP utility, perform the following steps.

1. Run the BOOTP/DHCP server utility software. It asks you to configure your network settings before using the BOOTP/DHCP server tool. Enter your Ethernet settings for Subnet Mask and Gateway. If you are not sure about it, get help from your system administrator. Just leave Primary DNS, Secondary DNS, and Domain Name. If the corresponding information is allocated to the computer where the BOOTP/DHCP server utility is installed, enter the same information.)



2. In the Request History panel, you see the hardware addresses of devices that issue BOOTP or DHCP requests.



- Double-click the hardware address of the device that you want to configure. You see the New Entry pop-up window with the device's Ethernet Address (MAC).

- Enter the IP Address and Description that you want to assign to the device, and select OK. Leave Hostname blank.

The device is added to the Relation List, and displays the Ethernet Address (MAC) and corresponding IP Address, Subnet Mask, and Gateway (if applicable).

(hr:min:s...)	Type	Ethernet Address (MAC)	IP Address	Hostname
13:37:29	BOO...	00:0F:73:FF:00:78	192.168.1.11	
13:36:56	BOO...	00:0F:73:FF:00:78		
13:36:22	BOO...	00:0F:73:FF:00:78		
13:35:49	BOO...	00:0F:73:FF:00:78		
13:35:41	DHCP	00:0F:1F:AB:2D:8A		
13:35:17	BOO...	00:0F:73:FF:00:78		
13:34:46	DHCP	00:12:3F:0B:C3:C2		

Ethernet Address (MAC)	Type	IP Address	Hostname	Description
00:0F:73:FF:00:78	BOO...	192.168.1.11		ML1100 Device No.1

Use a DHCP Server To Configure Your Processor

A DHCP server automatically assigns IP addresses to client stations signing onto a TCP/IP network. DHCP is based on BOOTP and maintains some backward compatibility. The main difference is that BOOTP was designed for manual configuration, while DHCP allows for dynamic allocation of network addresses and configurations to newly attached devices.



ATTENTION: The processor must be assigned a fixed network address. The IP address of the processor must not be dynamically provided. Failure to observe this precaution may result in unintended machine motion or loss of process control.

Subnet Masks and Gateways

Configure subnet masks and gateways using the Ethernet Channel 1 configuration screen.

IMPORTANT If BOOTP is enabled, you can't change any of the advanced Ethernet communications characteristics.

If your network is divided into subnetworks that use gateways or routers, you must indicate the following information when configuring Channel 1:

- Subnet mask
- Gateway address

A subnet mask is a filter that a node applies to IP addresses to determine if an address is on the local subnet or on another subnet. If an address is located on another subnetwork, messages are routed through a local gateway to be transferred to the destination subnetwork.

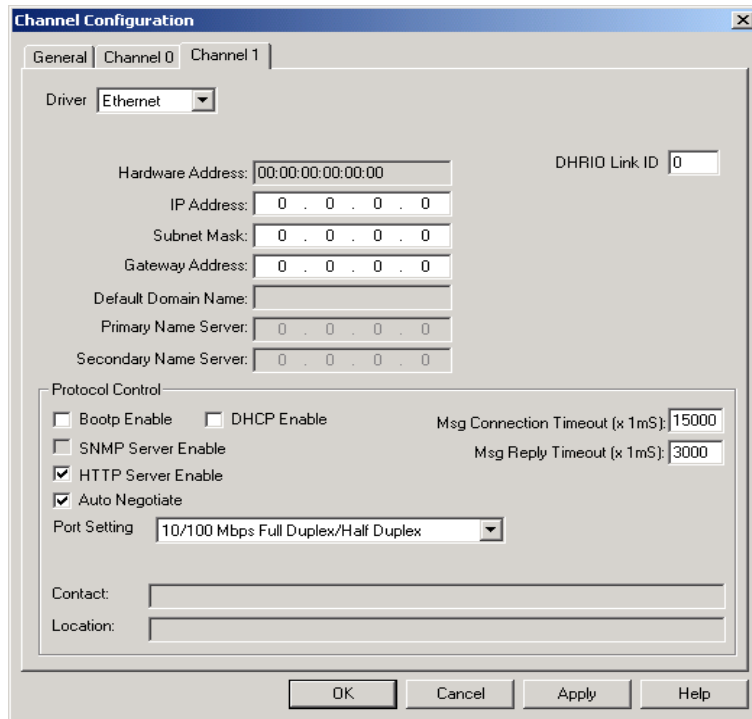
If your network is not divided into subnets, then leave the subnet mask field at the default.

If you	Then
Manually configure Channel 1 and have a network with subnets	<ul style="list-style-type: none"> • Verify that the BOOTP enable field is disabled • Use your programming software to enter the subnet mask and gateway address.
Use BOOTP to configure Channel 1 and have a network with subnets	<ul style="list-style-type: none"> • Verify that BOOTP is enabled • Include the subnet masks and gateway addresses

Manually Configuring Channel 1 for Controllers on Subnets

If you manually configure Channel 1 for a MicroLogix 1100 controller on a subnet, clear the checkbox for both of the “BOOTP Enable” and “DHCP Enable” options, as shown in [Figure 99](#).

Figure 99 - Channel Configuration Example



See [Table 50](#) to configure the subnet mask and gateway address fields for each controller via your programming software.

Table 50 - Subnet Mask and Gateway Address Fields

This field	Specifies	Configure by Doing the Following
Subnet Mask	The controller’s subnet mask. The subnet mask is used to interpret IP addresses when the Internet is divided into subnets.	Enter an address of the following form: a.b.c.d Where: a, b, c, d are between 0...255 (decimal) If your network is not divided into subnets, then leave the subnet mask field at the default. If you change the default and must reset it, type 0.0.0.0.
Gateway Address	The IP address of the gateway that provides a connection to another IP network. This field is required when you communicate with other devices not on a local subnet.	Enter an address of the following form: a.b.c.d Where: a, b, c, d are between 0...255 (decimal) The default address is No Gateway.

MicroLogix 1100 Embedded Web Server Capability

MicroLogix 1100 controllers include not only the embedded web server that allows viewing of module information, TCP/IP configuration, and diagnostic information, but the capabilities that also allow viewing of the data file via Ethernet using a standard web browser.

For more information on MicroLogix 1100 embedded web server capability, see the MicroLogix 1100 Embedded Web Server User Manual, publication [1763-UM002](#).

Notes:

System Loading and Heat Dissipation



A maximum of four 1762 expansion I/O modules, in any combination, can be connected to a MicroLogix 1100 controller. You can use this appendix to determine the power supply load and heat dissipation for your system.

System Loading Calculations

The MicroLogix 1100 controller is designed to support up to any four 1762 expansion I/O modules.

When you connect MicroLogix accessories and expansion I/O, an electrical load is placed on the controller power supply. This section shows how to calculate the load of your control system.

The following example is provided to illustrate system loading calculation. The system calculation procedure accounts for the amount of 5V DC and 24V DC current that is consumed by the controller, expansion I/O, and user-supplied equipment. Use the [System Loading Worksheet on page 166](#) to calculate your controller configuration.

System Loading Example Calculations

Current Loading

Table 51 - Calculating the Current for Expansion I/O

Catalog Number ⁽¹⁾	n	A	B	n x A	n x B
	Number of Modules	Device Current Requirements (max)		Calculated Current	
		@ 5V DC (mA)	@ 24V DC (mA)	@ 5V DC (mA)	@ 24V DC (mA)
1762-IA8	2	50	0	100	0
1762-IF4		40	50		
1762-IF20F2		40	105		
1762-IQ8		50	0		
1762-IQ16		70 ⁽²⁾	0		
1762-IQ32T		170	0		
1762-IR4		40	50		
1762-IT4		40	50		
1762-OA8		115	0		
1762-OB8		115	0		
1762-OB16		175	0		
1762-OB32T		175	0		
1762-OF4		40	165		
1762-OV32T		175	0		
1762-OW8	2	80	90	160	180
1762-OW16		140 ⁽²⁾	180 ⁽²⁾		
1762-OX6I		110	110		
1762-IQ80W6		110	80		
Total Modules (4 maximum):	4	Subtotal:		260	180

(1) See your expansion I/O Installation Instructions for Current Requirements not listed in this table.

(2) Only applicable for series B and series C I/O modules.

Validate the System

The example systems shown in [Table 52](#) and [Table 53](#) are verified to be acceptable configurations. The systems are valid because:

- Calculated Current Values < Maximum Allowable Current Values
- Calculated System Loading < Maximum Allowable System Loading

Table 52 - Validating Systems using 1763-L16AWA, 1763-L16BBB, or 1763-L16DWD

Maximum Allowable Values		Calculated Values	
Current		Current (Subtotal from Table 51)	
800 mA @ 5V DC	700 mA @ 24V DC	0 mA + 260 mA = 260 mA @ 5V DC	120 mA + 180 mA = 300 mA @ 24V DC
System Loading		System Loading	
20.8 W		= (260 mA x 5V) + (300 mA x 24V) = (1,300 mW) + (7,200 mW) = 8,500 mW = 8.50 W	

Table 53 - Validating Systems using 1763-L16BWA

Maximum Allowable Values		Calculated Values	
Current for Devices Connected to the +24V DC Sensor Supply		Sum of all sensor currents	
200 mA @ 24V DC		140 mA @ 24V DC (example sensor value)	
Current for MicroLogix Accessories and Expansion I/O		Current Values (Subtotal from Table 51)	
800 mA @ 5V DC	700 mA @ 24V DC	0 mA + 260 mA = 260 mA @ 5V DC	120 mA + 180 mA = 300 mA @ 24V DC
System Loading		System Loading	
16.4 W		= (140 mA x 24V) + (260 mA x 5V) + (300 mA x 24V) = (3,360 mW) + (1,300 mW) + (7,200 mW) = 11,860 mW = 11.9 W	

System Loading Worksheet

[Table 54](#), [Table 55](#), and [Table 56](#) are provided for system loading validation. See [System Loading Example Calculations on page 165](#).

Current Loading

Table 54 - Calculating the Current for Expansion I/O

Catalog Number ⁽¹⁾	n	A	B	n x A	n x B
	Number of Modules	Device Current Requirements		Calculated Current	
		@ 5V DC (mA)	@ 24V DC (mA)	@ 5V DC (mA)	@ 24V DC (mA)
1762-IA8		50	0		
1762-IF4		40	50		
1762-IF20F2		40	105		
1762-IQ8		50	0		
1762-IQ16		70 ⁽²⁾	0		
1762-IQ32T		170	0		
1762-IR4		40	50		
1762-IT4		40	50		
1762-OA8		115	0		
1762-OB8		115	0		
1762-OB16		175	0		
1762-OB32T		175	0		
1762-OF4		40	165		
1762-OV32T		175	0		
1762-OW8		80	90		
1762-OW16		140 ⁽²⁾	180 ⁽²⁾		

Table 54 - Calculating the Current for Expansion I/O (Continued)

Catalog Number ⁽¹⁾	n	A	B	n x A	n x B
	Number of Modules	Device Current Requirements		Calculated Current	
		@ 5V DC (mA)	@ 24V DC (mA)	@ 5V DC (mA)	@ 24V DC (mA)
1762-OX6I		110	110		
1762-IQ80W6		110	80		
Total Modules (4 maximum):		Subtotal:			

(1) See your expansion I/O Installation Instructions for Current Requirements not listed in this table.

(2) Only applicable for series B and series C I/O modules.

Table 55 - Validating Systems using 1763-L16AWA, 1763-L16BBB, or 1763-L16DWD

Maximum Allowable Values		Calculated Values	
Current		Current (Subtotal from Table 54)	
800 mA @ 5V DC	700 mA @ 24V DC	mA @ 5V DC	mA @ 24V DC
System Loading		System Loading	
20.8 W		= (_____ mA x 5V) + (_____ mA x 24V) = _____ mW + _____ mW = _____ mW = _____ W	

Table 56 - Validating Systems using 1763-L16BWA

Maximum Allowable Values		Calculated Values	
Current for Devices Connected to the +24V DC Sensor Supply		Sum of all sensor currents	
200 mA @ 24V DC		mA @ 24V DC	
Current for MicroLogix Accessories and Expansion I/O		Current (Subtotal from Table 54)	
800 mA @ 5V DC	700 mA @ 24V DC	mA @ 5 V DC	mA @ 24V DC
System Loading		System Loading	
16.4 W		= (_____ mA x 24V) + (_____ mA x 5V) + (_____ mA x 24V) = _____ mW + _____ mW + _____ mW = _____ mW = _____ W	

Calculating Heat Dissipation Use [Table 57](#) when you must determine the heat dissipation of your system for installation in an enclosure. For System Loading, take the value from the appropriate [System Loading Worksheet on page 166](#).

Table 57 - Heat Dissipation

Catalog Number	Heat Dissipation		
	Equation or Constant	Calculation	Sub-Total
1763-L16AWA	15.2 W + (0.4 x System Loading)	15.2 W + (0.4 x _____ W)	_____ W
1763-L16BWA	15.7 W + (0.4 x System Loading)	15.7 W + (0.4 x _____ W)	_____ W
1763-L16BBB	17.0 W + (0.3 x System Loading)	17.0 W + (0.3 x _____ W)	_____ W
1763-L16DWD	17.0 W + (0.3 x System Loading)	17.0 W + (0.3 x _____ W)	_____ W
1762-IA8	2.0 W x number of modules	2.0 W x _____	_____ W
1762-IF4	2.0 W x number of modules	2.0 W x _____	_____ W
1762-IF20F2	2.6 W x number of modules	2.6 W x _____	_____ W
1762-IQ8	3.7 W x number of modules	3.7 W x _____	_____ W
1762-IQ16	5.4 W ⁽¹⁾ x number of modules	5.4 W ⁽¹⁾ x _____	_____ W
1762-IQ32T	6.8 W x number of modules (at 30.0V DC)	6.8 W x _____ (at 30.0V DC)	_____ W
	5.4 W x number of modules (at 26.4V DC)	5.4 W x _____ (at 26.4V DC)	_____ W
1762-IR4	1.5 W x number of modules	1.5 W x _____	_____ W
1762-IT4	1.5 W x number of modules	1.5 W x _____	_____ W
1762-OA8	2.9 W x number of modules	2.9 W x _____	_____ W
1762-OB8	1.6 W x number of modules	1.6 W x _____	_____ W
1762-OB16	2.9 W x number of modules	2.9 W x _____	_____ W

Table 57 - Heat Dissipation (Continued)

Catalog Number	Heat Dissipation		
	Equation or Constant	Calculation	Sub-Total
1762-OB32T	3.4 W x number of modules	3.4 W x _____	_____ W
1762-OF4	3.8 W x number of modules	3.8 W x _____	_____ W
1762-OV32T	2.7 W x number of modules	2.7 W x _____	_____ W
1762-OW8	2.9 W x number of modules	2.9 W x _____	_____ W
1762-OW16	6.1 W ⁽¹⁾ x number of modules	6.1 W ⁽¹⁾ x _____	_____ W
1762-OX6I	2.8 W x number of modules	2.8 W x _____	_____ W
1762-IQ80W6	4.4 W x number of modules	4.4 W x _____	_____ W
Add Subtotals to determine Heat Dissipation			_____ W

(1) Only applicable for series B and series C I/O modules.

The following terms and abbreviations are used throughout this manual.

address	A character string that uniquely identifies a memory location. For example, I:1/0 is the memory address for the data located in the Input file location word1, bit 0.
AIC+ Advanced Interface Converter	A device that provides a communication link between various networked devices. 1761-NET-AIC.
application	1) A machine or process monitored and controlled by a controller. 2) The use of computer-based or processor-based routines for specific purposes.
baud rate	The speed of communication between devices. All devices must communicate at the same baud rate on a network.
bit	The smallest storage location in memory that contains either a 1 (ON) or a 0 (OFF).
block diagrams	A schematic drawing.
Boolean operators	Logical operators such as AND, OR, NAND, NOR, NOT, and Exclusive-OR that can be used singularly or in combination to form logic statements or circuits. Can have an output response of T or F.
branch	A parallel logic path within a rung of a ladder program.
communication scan	A part of the controller's operating cycle. Communication with other devices, such as software running on a personal computer, takes place.
controller	A device, such as a programmable controller, used to monitor input devices and control output devices.
controller overhead	An internal portion of the operating cycle used for housekeeping and set-up purposes.
control profile	The means by which a controller determines which outputs turn on under what conditions.
counter	1) An electro-mechanical relay-type device that counts the occurrence of some event. May be pulses developed from operations such as switch closures or interruptions of light beams. 2) In controllers, a software counter eliminates the need for hardware counters. The software counter can be given a preset count value to count up or down whenever the counted event occurs.
CPU (Central Processing Unit)	The decision-making and data storage section of a programmable controller.
data table	The part of processor memory that contains I/O values and files where data is monitored, manipulated, and changed for control purposes.
DIN rail	Manufactured according to Deutsche Industrie Normenausshus (DIN) standards, a metal railing designed to ease installation and mounting of your controller.
download	Data is transferred from a programming or storage device to another device.
DTE (Data Terminal Equipment)	Equipment that is attached to a network to send or receive data, or both.
embedded I/O	Embedded I/O is the controller's on-board I/O.
EMI	Electromagnetic interference.
encoder	1) A rotary device that transmits position information. 2) A device that transmits a fixed number of pulses for each revolution.

executing mode	Any run or test mode.
expansion I/O	Expansion I/O is I/O that is connected to the controller via a bus or cable. MicroLogix 1200 controllers use Bulletin 1762 expansion I/O.
false	The status of an instruction that does not provide a continuous logical path on a ladder rung.
FIFO (First-In-First-Out)	The order that data is entered into and retrieved from a file.
file	A collection of information organized into one group.
full-duplex	A bidirectional mode of communication where data may be transmitted and received simultaneously (contrast with half-duplex).
half-duplex	A communication link in which data transmission is limited to one direction at a time.
hard disk	A storage area in a personal computer that may be used to save processor files and reports for future use.
high byte	Bits 8...15 of a word.
input device	A device, such as a push button or a switch, that supplies signals to the input circuits of the controller.
inrush current	The temporary surge current produced when a device or circuit is initially energized.
instruction	A mnemonic and data address defining an operation to be performed by the processor. A rung in a program consists of a set of input and output instructions. The input instructions are evaluated by the controller as being true or false. In turn, the controller sets the output instructions to true or false.
instruction set	The set of general purpose instructions available with a given controller.
I/O (Inputs and Outputs)	Consists of input and output devices that provide and/or receive data from the controller.
jump	Change in normal sequence of program execution, by executing an instruction that alters the program counter (sometimes called a branch). In ladder programs a JUMP (JMP) instruction causes execution to jump to a labeled rung.
ladder logic	A program written in a format resembling a ladder-like diagram. The program is used by a programmable controller to control devices.
least significant bit (LSB)	The digit (or bit) in a binary word (code) that carries the smallest value of weight.
LED (Light Emitting Diode)	Used as status indicator for processor functions and inputs and outputs.
LIFO (Last-In-First-Out)	The order that data is entered into and retrieved from a file.
low byte	Bits 0...7 of a word.
logic	A process of solving complex problems through the repeated use of simple functions that can be either true or false. General term for digital circuits and programmed instructions to perform required decision making and computational functions.
Master Control Relay (MCR)	A mandatory hard-wired relay that can be de-energized by any series-connected emergency stop switch. Whenever the MCR is de-energized, its contacts open to de-energize all application I/O devices.
mnemonic	A simple and easy to remember term that is used to represent a complex or lengthy set of information.
modem	Modulator/demodulator. Equipment that connects data terminal equipment to a communication line.

modes	Selected methods of operation. Example: run, test, or program.
negative logic	The use of binary logic in such a way that "0" represents the voltage level normally associated with logic 1 (for example, 0 = +5V, 1 = 0V). Positive is more conventional (for example, 1 = +5V, 0 = 0V).
network	A series of stations (nodes) connected by some type of communication medium. A network may be made up of a single link or multiple links.
nominal input current	The current at nominal input voltage.
normally closed	Contacts on a relay or switch that are closed when the relay is de-energized or the switch is deactivated; they are open when the relay is energized or the switch is activated. In ladder programming, a symbol that allows logic continuity (flow) if the referenced input is logic "0" when evaluated.
normally open	Contacts on a relay or switch that are open when the relay is de-energized or the switch is deactivated. (They are closed when the relay is energized or the switch is activated.) In ladder programming, a symbol that allows logic continuity (flow) if the referenced input is logic "1" when evaluated.
off-delay time	The OFF delay time is a measure of the time required for the controller logic to recognize that a signal has been removed from the input terminal of the controller. The time is determined by circuit component delays and by any filter adjustment applied.
offline	Describes devices not under direct communication.
offset	The steady-state deviation of a controlled variable from a fixed point.
off-state leakage current	When an ideal mechanical switch is opened (off-state) no current flows through the switch. Practical semiconductor switches, and the transient suppression components which are sometimes used to protect switches, allow a small current to flow when the switch is in the off state. This current is referred to as the off-state leakage current. To ensure reliable operation, the off-state leakage current rating of a switch should be less than the minimum operating current rating of the load that is connected to the switch.
on-delay time	The ON delay time is a measure of the time required for the controller logic to recognize that a signal has been presented at the input terminal of the controller.
one-shot	A programming technique that sets a bit for only one program scan.
online	Describes devices under direct communication. For example, when RSLogix 500 is monitoring the program file in a controller.
operating voltage	For inputs, the voltage range needed for the input to be in the On state. For outputs, the allowable range of user-supplied voltage.
output device	A device, such as a pilot light or a motor starter coil, that is controlled by the controller.
processor	A Central Processing Unit. See CPU (Central Processing Unit) on page 169 .
processor file	The set of program and data files used by the controller to control output devices. Only one processor file may be stored in the controller at a time.
program file	The area within a processor file that contains the ladder logic program.
program mode	When the controller is not executing the processor file and all outputs are de-energized.
program scan	A part of the controller's operating cycle. During the scan the ladder program is executed and the output data file is updated based on the program and the input data file.
programming device	Executable programming package used to develop ladder diagrams.

protocol	The packaging of information that is transmitted across a network.
read	To acquire data from a storage place. For example, the processor reads information from the input data file to solve the ladder program.
relay	An electrically operated device that mechanically switches electrical circuits.
relay logic	A representation of the program or other logic in a form normally used for relays.
restore	To download (transfer) a program from a personal computer to a controller.
reserved bit	A status file location that the user should not read or write to.
retentive data	Information associated with data files (timers, counters, inputs, and outputs) in a program that is preserved through power cycles.
RS-232	An EIA standard that specifies electrical, mechanical, and functional characteristics for serial binary communication circuits. A single-ended serial communication interface.
run mode	This is an executing mode during which the controller scans or executes the ladder program, monitors input devices, energizes output devices, and acts on enabled I/O forces.
rung	Ladder logic is comprised of a set of rungs. A rung contains input and output instructions. During Run mode, the inputs on a rung are evaluated to be true or false. If a path of true logic exists, the outputs are made true. If all paths are false, the outputs are made false.
save	To upload (transfer) a program stored in memory from a controller to a personal computer; OR to save a program to a computer hard disk.
scan time	The time required for the controller to execute the instructions in the program. The scan time may vary depending on the instructions and each instruction's status during the scan.
sinking	A term used to describe current flow between an I/O device and controller I/O circuit – typically, a sinking device or circuit provides a path to ground, low, or negative side of power supply.
sourcing	A term used to describe current flow between an I/O device and controller I/O circuit – typically, a sourcing device or circuit provides a path to the source, high, or positive side of power supply.
status	The condition of a circuit or system, represented as logic 0 (OFF) or 1 (ON).
terminal	A point on an I/O module that external I/O devices, such as a push button or pilot light, are wired to.
throughput	The time between when an input turns on and the corresponding output turns on.
true	The status of an instruction that provides a continuous logical path on a ladder rung.
upload	Data is transferred to a programming or storage device from another device.
watchdog timer	A timer that monitors a cyclical process and is cleared at the conclusion of each cycle. If the watchdog runs past its programmed time period, it causes a fault.
workspace	The main storage available for programs and data and allocated for working storage.
write	To copy data to a storage device. For example, the processor writes the information from the output data file to the output modules.

Numerics

1762-24AWA wiring diagram 35

1762-IA8 wiring diagram 39

1762-IF20F2

- input type selection 45
- output type selection 45
- terminal block layout 46
- wiring 46

1762-IF4

- input type selection 47
- terminal block layout 48

1762-IQ16 wiring diagram 40

1762-IQ32T wiring diagram 40

1762-IQ8 wiring diagram 39

1762-OA8 wiring diagram 41

1762-OB16 wiring diagram 41

1762-OB32T wiring diagram 42

1762-OB8 wiring diagram 41

1762-OV32T wiring diagram 42

1762-OW16 wiring diagram 43

1762-OW8 wiring diagram 43

1762-OX6I wiring diagram 44

5/05 processors

- Ethernet communications 155

A

address 169

Advanced Interface Converter. See AIC+ AIC+

- applying power to 67
- attaching to the network 67
- connecting 63
- definition 169
- installing 67
- recommended user supplied components 66
- safety consideration 67
- selecting cable 65

analog channel wiring guidelines 37

analog expansion I/O 137

- diagnostics 137
- module operation vs. channel operation 137
- power-up diagnostics 137
- system wiring guidelines 45
- troubleshooting 137

analog inputs

- analog channel wiring guidelines 37

application 169

B

battery 101

- processor battery life expectancy 129
- processor replacement battery 129

baud rate 169

bit 169

block diagrams 169

Boolean operators 169

BOOTP

- configuring SLC 5/05 160 – 162
- using the Rockwell Utility 161

branch 169

Buttons 74

C

cable pinout

- MicroLogix 1100 Channel 0 to modem cable 57, 63

cables

- planning routes for DH485 connections 150
- selection guide for the AIC+ 65

calling for assistance 139

common mode rejection ratio

- specification 124

communication

- DeviceNet 68
- Ethernet 68

communication connections 51

communication options 14

communication protocols

- DF1 Full-Duplex 145
- DF1 Half-Duplex 146
- DH485 148
- Ethernet 155
- Modbus 154

communication scan 169

communications toggle push button

- using 52

component descriptions 12

- 1762 expansion I/O 12
- communication cables 13
- memory module 12
- real-time clock 12

configuration errors 138

connecting expansion I/O 28

connecting the system

- AIC+ 63, 67
- DeviceNet network 68
- DF1 Full-Duplex protocol 55
- DF1 isolated point-to-point connection 55
- DH485 network 59

connecting to DF1 Half-Duplex network 57

contactors (bulletin 100), surge suppressors for 32

control profile 169

ControlFlash

- missing/corrupt OS LED pattern 144
- sequence of operation 143
- using 141

controller 169
 grounding 32
 I/O wiring 37
 LED status error conditions 135
 LED status normal operation 135
 minimizing electrical noise 37
 mounting 24
 mounting dimensions 23
 mounting on DIN rail 25
 mounting on panel 26
 preventing excessive heat 18
 status indicators 133

controller overhead 169

controller spacing 24

counter 169

CPU (Central Processing Unit) 169

Cursor display 75

D

data table 169

default communication configuration 51

DeviceNet Communications 68

DeviceNet network
 connecting 68

DFI Full-Duplex protocol
 connecting 55
 description 145
 example system configuration 145
 using a modem 56, 147

DFI Half-Duplex protocol
 description 146

DH485 communication protocol
 configuration parameters 59, 149

DH485 network
 configuration parameters 150
 connecting 59
 devices that use the network 149
 example system configuration 152
 installation 61
 planning considerations 149

DIN rail 169

disconnecting main power 16

download 169

DTE (Data Terminal Equipment) 169

E

Electronics Industries Association (EIA) 145

EMI 169

encoder 169

error recovery model 136

errors
 configuration 138
 critical 137
 extended error information field 138
 hardware 138
 module error field 137
 non-critical 137

Ethernet
 advanced functions 162
 messaging 155
 processor performance 155
 using the SLC 5/05 processors 155

executing mode 170

expansion I/O
 1762-IF20F2 input type selection 45
 1762-IF20F2 output type selection 45

expansion I/O mounting 27
 mounting on DIN rail 27

expansion I/O wiring 39
 1762-IA8 wiring diagram 39
 1762-IF20F2 wiring 46
 1762-IF4 terminal block layout 48
 1762-IQ16 wiring diagram 40
 1762-IQ32T wiring diagram 40
 1762-IQ8 wiring diagram 39
 1762-OA8 wiring diagram 41
 1762-OB16 wiring diagram 41
 1762-OB32T wiring diagram 42
 1762-OB8 wiring diagram 41
 1762-OV32T wiring diagram 42
 1762-OW16 wiring diagram 43
 1762-OW8 wiring diagram 43
 1762-OX6I wiring diagram 44
 analog wiring guidelines 45

extended error information field 138

F

false 170

FIFO (First-In-First-Out) 170

file 170

Full-Duplex 55

full-duplex 170

G

general considerations 15

grounding the controller 32

H

Half-Duplex 58, 170

hard disk 170

hardware errors 138

hardware features 11

heat dissipation
 calculating 167

heat protection 18

high byte 170

I

I/O (Inputs and Outputs) 170

input device 170

input states on power down 18

inrush current 170

installing
 ControlFlash software 141
 memory module 22

instruction 170

instruction set 170

isolated link coupler
 installing 61

isolation transformers
 power considerations 17

J**jump** 170**L****ladder logic** 170**least significant bit (LSB)** 170**LED (Light Emitting Diode)** 170**LIFO (Last-In-First-Out)** 170**lithium battery (1747-BA)**

- disposing 131
- handling 130
- installing 129
- storing 130
- transporting 130

logic 170**low byte** 170**M****master control relay** 18

- emergency-stop switches 19
- using ANSI/CSA symbols schematic 21
- using IEC symbols schematic 20

Master Control Relay (MCR) 170**master control relay circuit**

- periodic tests 17

memory module

- data file protection 103
- operation 102
- program compare 102
- program/data/recipe backup 102
- removal/installation under power 103
- write protection 103

Menu structure 72**minimizing electrical noise** 37**mnemonic** 170**Modbus communication protocol** 154**modem** 170**modems**

- using with MicroLogix controllers 147

modes 171**module error field** 137**motor starters (bulletin 509)**

- surge suppressors 32

motor starters (bulletin 709)

- surge suppressors 32

N**negative logic** 171**network** 171**nominal input current** 171**normally closed** 171**normally open** 171**O****offline** 171**Offline Editing** 105**offset** 171**off-state leakage current** 171**one-shot** 171**online** 171**Online Editing** 105

- Terms 105

Operating buttons 74**operating voltage** 171**output device** 171**P****performance**

- Ethernet processor 155

planning considerations for a network 149**power considerations**

- input states on power down 18
- isolation transformers 17
- loss of power source 17
- other line conditions 18
- overview 17
- power supply inrush 17

power distribution 17**power source**

- loss of 17

power supply inrush

- power considerations 17

preparing for upgrade 141**preventing excessive heat** 18**processor** 171**processor file** 171**program file** 171**program mode** 171**program scan** 171**programming** 13**programming device** 171**protocol** 172**R****read** 172**real-time clock**

- battery operation 101
- operation 101
- removal/installation under power 101
- writing data 101

relay 172**relay logic** 172**relays**

- surge suppressors for 32

remote packet support 151**replacement battery** 129

- disposing 131
- handling 130
- installing 129
- storing 130
- transporting 130

replacement kits 129**replacement parts** 129**reserved bit** 172**restore** 172**retentive data** 172**RS-232** 172

RS-232 communication interface 145

run mode 172

rung 172

S

safety circuits 16

safety considerations 15

disconnecting main power 16

hazardous location 15

master control relay circuit

periodic tests 17

periodic tests of master control relay circuit
17

power distribution 17

safety circuits 16

save 172

scan time 172

sinking 172

sinking and sourcing wiring diagrams 35

sinking wiring diagram

1762-24BWA 35

sourcing 172

sourcing wiring diagram

1762-24BWA 36, 37

status 172

surge suppressors

for contactor 32

for motor starters 32

for relays 32

recommended 32

using 30

system configuration

DF1 Full-Duplex examples 145

DH485 connection examples 152

system loading

example calculations 165

limitations 165

worksheet 166

system loading and heat dissipation 165

T

terminal 172

terminal block layouts

1762-IF20F2 46

1762-IF4 48

controllers 33

terminal groupings 34

terminal groupings 34

throughput 172

Trimpot Information Function File 97

trimpot operation 96

trimpots

changing values 96, 97

error conditions 98

location 96

troubleshooting 133

true 172

U

upload 172

using communications toggle functionality 52

using communications toggle push button 52

using emergency-stop switches 19

using memory modules 101

using real-time clock 101

using trimpots 96

W

wiring diagram

1762-IA8 39

1762-IF20F2 differential sensor 46

1762-IF20F2 single-ended sensor 47

1762-IQ16 40

1762-IQ32T 40

1762-IQ8 39

1762-L24BxB output 37

1762-OA8 41

1762-OB16 41

1762-OB32T 42

1762-OB8 41

1762-OV32T 42

1762-OW16 43

1762-OW8 43

1762-OX6I 44

1763-L16AWAE input 35

1763-L16AWAE output 36

1763-L16BBBE sinking 36

1763-L16BBBE sourcing 36

1763-L16BWAE output 36

1763-L16BWAE sinking 36

1763-L16BWAE sourcing 36

terminal block layouts 33, 46, 48

wiring diagrams 33

wiring recommendation 29

wiring your controller 29

workspace 172

write 172

Rockwell Automation Support

Use these resources to access support information.

Technical Support Center	Find help with how-to videos, FAQs, chat, user forums, Knowledgebase, and product notification updates.	rok.auto/support
Local Technical Support Phone Numbers	Locate the telephone number for your country.	rok.auto/phonesupport
Technical Documentation Center	Quickly access and download technical specifications, installation instructions, and user manuals.	rok.auto/techdocs
Literature Library	Find installation instructions, manuals, brochures, and technical data publications.	rok.auto/literature
Product Compatibility and Download Center (PCDC)	Download firmware, associated files (such as AOP, EDS, and DTM), and access product release notes.	rok.auto/pcdc

Documentation Feedback

Your comments help us serve your documentation needs better. If you have any suggestions on how to improve our content, complete the form at rok.auto/docfeedback.

Waste Electrical and Electronic Equipment (WEEE)



At the end of life, this equipment should be collected separately from any unsorted municipal waste.





Rockwell Automation maintains current product environmental compliance information on its website at rok.auto/pec.

Allen-Bradley, ControlFLASH, DH+, DTAM Micro, DTAM Plus, expanding human possibility, FactoryTalk, INTERCHANGE, MicroLogix, PanelView, PLC-5, Rockwell Automation, RSLinx, RSLinx Classic, RSLogix 500, SLC, SLC 5/03, SLC 500, and TechConnect are trademarks of Rockwell Automation, Inc.

CIP, DeviceNet, and EtherNet/IP are trademarks of ODVA, Inc.

Trademarks not belonging to Rockwell Automation are property of their respective companies.

Rockwell Otomasyon Ticaret A.Ş. Kar Plaza İş Merkezi E Blok Kat:6 34752, İçerenköy, İstanbul, Tel: +90 (216) 5698400 EEE Yönetmeliğine Uygundur

Connect with us.    

rockwellautomation.com — expanding **human possibility**[®]

AMERICAS: Rockwell Automation, 1201 South Second Street, Milwaukee, WI 53204-2496 USA, Tel: (1) 414.382.2000

EUROPE/MIDDLE EAST/AFRICA: Rockwell Automation NV, Pegasus Park, De Kleetlaan 12a, 1831 Diegem, Belgium, Tel: (32) 2663 0600

ASIA PACIFIC: Rockwell Automation SEA Pte Ltd, 2 Corporation Road, #04-05, Main Lobby, Corporation Place, Singapore 618494, Tel: (65) 6510 6608

UNITED KINGDOM: Rockwell Automation Ltd., Pitfield, Kiln Farm, Milton Keynes, MK11 3DR, United Kingdom, Tel: (44)(1908) 838-800

Publication 1763-UM001G-EN-P - May 2024

Supersedes Publication 1763-UM001F-EN-P - April 2017

Copyright © 2024 Rockwell Automation, Inc. All rights reserved.