

# Product datasheet

Specifications



## motion servo drive - Lexium 26 - single and three phase 200...230 V - 400 W

LXM26DU04M3X

### Main

Range of product	Easy Lexium 26
Product or component type	Motion servo drive
Device short name	LXM26D
Format of the drive	Compact housing
Line current	3.8 A 211.6 % at 220 V, single phase 3.8 A 183.7 % at 220 V, three phase

### Complementary

Network number of phases	Single phase Three phase
[Us] rated supply voltage	220 V (- 10...15 %) for three phase 220 V (- 20...15 %) for single phase
Supply voltage limits	200...255 V three phase 170...255 V single phase
Supply frequency	50/60 Hz - 5...5 %
Network frequency	47.5...63 Hz
Continuous output current	2.6 A at 16 kHz
Output current 3s peak	7.8 A at 220 V
Continuous power	400 W at 220 V
Nominal power	0.4 kW at 220 V 16 kHz
Switching frequency	16 kHz
Overvoltage category	III
Maximum leakage current	1.3 mA
Output voltage	<= power supply voltage
Electrical isolation	Between power and control
Type of cable	Twisted shielded pairs cable (single or double) (temperature: 0...55 °C)
Electrical connection	Spring terminal, clamping capacity: 0.82...1 mm <sup>2</sup> , AWG 18 (L1-L2) Spring terminal, clamping capacity: 0.82...1 mm <sup>2</sup> , AWG 18 (R, S, T) Spring terminal, clamping capacity: 0.82...1 mm <sup>2</sup> , AWG 18 (U, V, W, PE) Spring terminal, clamping capacity: 0.82...1 mm <sup>2</sup> , AWG 18 (PA/+, PBe)
Tightening torque	PE (ground): 1.4 N.m
Discrete input number	8 programmable (CN1) 1 pulse train input (PTI) (CN1) 2 fast capture (CN1)
Discrete input voltage	24 V DC for logic
Discrete input logic	Positive or negative (CN1)

<b>Discrete output number</b>	5 1
<b>Discrete output type</b>	Logic (CN1) at 12...24 V DC Pulse train output (PTO) (CN1)
<b>Discrete output voltage</b>	12...24 V DC
<b>Discrete output logic</b>	Positive or negative (CN1)
<b>Analogue input number</b>	2
<b>Absolute accuracy error</b>	0.1 %
<b>Analogue input type</b>	V_REF voltage analog input: - 10...10 V, impedance: 10 kOhm, resolution: 12 bits T_REF voltage analog input
<b>Control signal type</b>	Servo motor encoder feedback CN2
<b>Protection type</b>	Against reverse polarity: inputs signal Against short-circuits: outputs signal Overcurrent: motor Overvoltage: motor Undervoltage: motor Overheating: motor Overload: motor Overspeed: motor
<b>Physical interface</b>	RS485 for Modbus Serial line slave
<b>Status LED</b>	1 LED (red) charge
<b>Signalling function</b>	Servo status and fault codes five 7-segment display units
<b>Marking</b>	CE CULus CSA
<b>type of cooling</b>	Natural convection
<b>Operating position</b>	Vertical
<b>Product compatibility</b>	Servo motor BCH2 (60 mm, 2 motor stacks) Servo motor BCH2 (80 mm, 1 motor stacks) Servo motor BCH2 (130 mm, 1 motor stacks)
<b>Width</b>	55 mm
<b>Height</b>	150 mm
<b>Depth</b>	146 mm
<b>Net weight</b>	1 kg

## Environment

<b>EMC filter</b>	Without EMC filter
<b>Electromagnetic compatibility</b>	Conducted emission - test level: level 3 category C3 conforming to IEC 61800-3
<b>Standards</b>	IEC 61800-5-1
<b>Product certifications</b>	CSA cULus CE
<b>IP degree of protection</b>	IP20
<b>Vibration resistance</b>	3M4 amplitude = 3 mm (f = 9...200 Hz) conforming to IEC 60721-3-3
<b>Shock resistance</b>	10 gn, type I conforming to IEC 60068-2-27
<b>Relative humidity</b>	5...95 % without condensation
<b>Ambient air temperature for operation</b>	0...55 °C
<b>Ambient air temperature for storage</b>	-25...65 °C

---

<b>Operating altitude</b>	<= 1000 m without derating > 1000...2000 m 1 % per 100 m
---------------------------	---

---

## Packing Units

---

<b>Unit Type of Package 1</b>	PCE
-------------------------------	-----

---

<b>Number of Units in Package 1</b>	1
-------------------------------------	---

---

<b>Package 1 Height</b>	7.498 cm
-------------------------	----------

---

<b>Package 1 Width</b>	22.924 cm
------------------------	-----------

---

<b>Package 1 Length</b>	23.602 cm
-------------------------	-----------

---

<b>Package 1 Weight</b>	1.3 kg
-------------------------	--------

---

<b>Unit Type of Package 2</b>	S03
-------------------------------	-----

---

<b>Number of Units in Package 2</b>	5
-------------------------------------	---

---

<b>Package 2 Height</b>	30.0 cm
-------------------------	---------

---

<b>Package 2 Width</b>	29.9 cm
------------------------	---------

---

<b>Package 2 Length</b>	39.8 cm
-------------------------	---------

---

<b>Package 2 Weight</b>	7.151 kg
-------------------------	----------

---

## Environmental Data

Schneider Electric aims to achieve Net Zero status by 2050 through supply chain partnerships, lower impact materials, and circularity via our ongoing “Use Better, Use Longer, Use Again” campaign to extend product lifetimes and recyclability.

[How this information helps you >](#)

### Environmental footprint

Carbon footprint (kg.eq.CO2 per CR, Total Life cycle)	2351
---	------

## Use Better

### Materials and Packaging

Packaging made with recycled cardboard	No
--	----

Packaging without single use plastic	No
--------------------------------------	----

EU RoHS Directive	Pro-active compliance (Product out of EU RoHS legal scope)
-------------------	--

REACH Regulation	<a href="#">REACH Declaration</a>
------------------	-----------------------------------

China RoHS Regulation	<a href="#">China RoHS declaration</a>
-----------------------	--

PVC free	Yes
----------	-----

## Use Again

### Repack and remanufacture

WEEE



The product must be disposed on European Union markets following specific waste collection and never end up in rubbish bins

Take-back

No

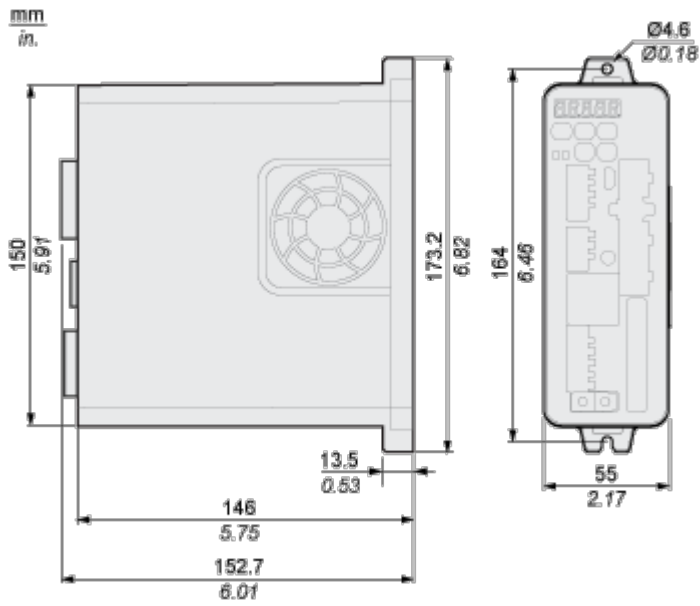
---

Dimensions Drawings

Dimensions

---

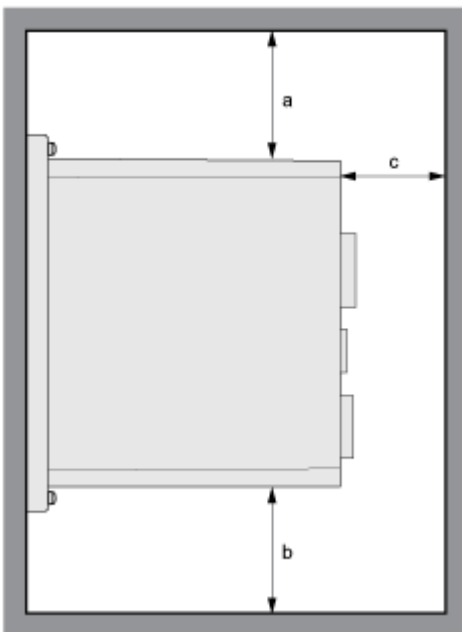
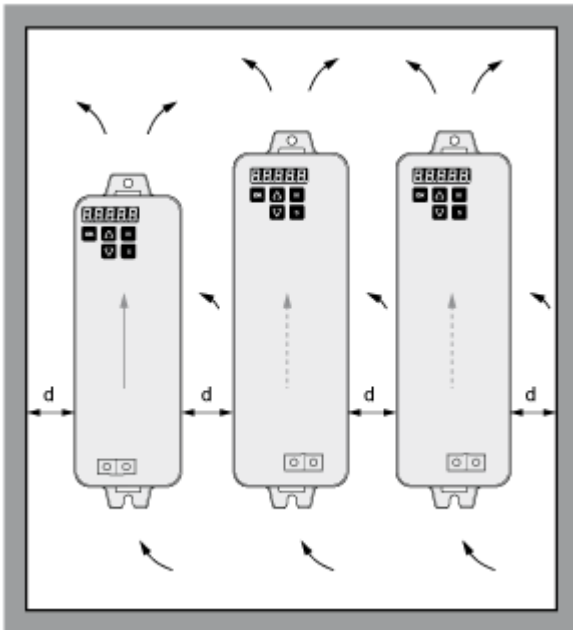
Servo Drive Dimensions



Mounting and Clearance

Mounting and Clearance

Clearance



Distance	Unit	Value
Free space <b>a</b> above the device	mm (in)	≥ 50 ≥ 1.97
Free space <b>b</b> below the device	mm (in)	≥ 50 ≥ 1.97
Free space <b>c</b> in front of the device <sup>(1)</sup>	mm (in)	≥ 60 ≥ 2.36
Free space <b>d</b> between devices	mm (in)	≥ 15 ≥ 0.59

