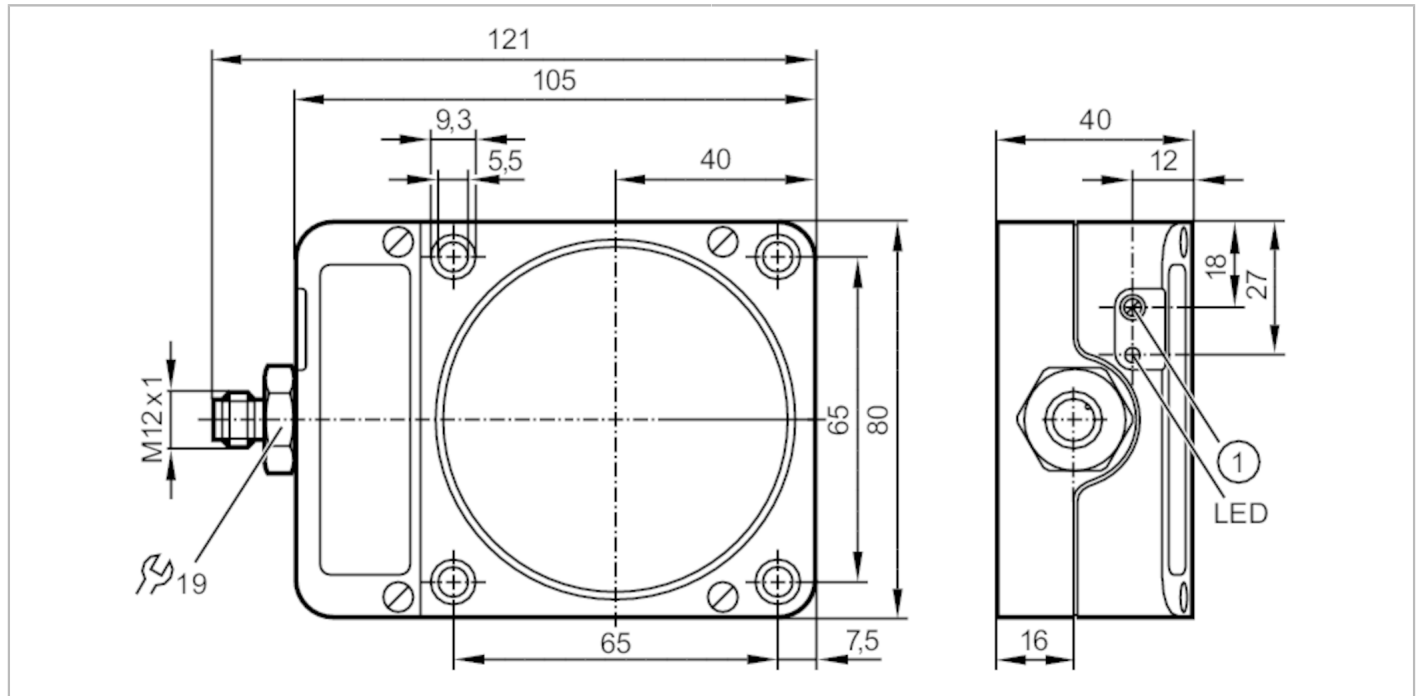


# ID5046



## Inductive sensor

IDE3060-FPKG/US-100-DPS




Electrical data		
Operating voltage	[V]	10...36 DC
Current consumption	[mA]	< 15
Protection class		II
Reverse polarity protection		yes
Outputs		
Output function		normally open / normally closed; (selectable)
Max. voltage drop switching output DC	[V]	2.5
Permanent current rating of switching output DC	[mA]	250
Switching frequency DC	[Hz]	100
Electrical design		PNP
Short-circuit protection		yes
Type of short-circuit protection		pulsed
Overload protection		yes
Detection zone		
Sensing range	[mm]	20...60
Sensing range adjustable		yes
Factory setting sensing range	[mm]	60
Real sensing range Sr	[mm]	60 ± 10 %
Operating distance	[mm]	0...48.6

# ID5046



## Inductive sensor

IDE3060-FPKG/US-100-DPS

Accuracy / deviations		
Correction factor	steel: 1 / stainless steel: 0.7 / brass: 0.4 / aluminium: 0.3 / copper: 0.2	
Hysteresis [% of Sr]	1...15	
Switch point drift [% of Sr]	-10...10	
Operating conditions		
Ambient temperature [°C]	-25...80	
Protection	IP 67	
Tests / approvals		
EMC	EN 61000-4-2 ESD	- CD / 8 kV AD
	EN 61000-4-3 HF radiated	3 V/m
	EN 61000-4-4 Burst	2 kV
	EN 61000-4-5 Surge	0,5 kV line to line, Ri: 2 Ohm
	EN 61000-4-6 HF conducted	3 V
MTTF [years]	EN 55011	class B
	1277	
UL approval	0...40 °C	
	Type 1	
	voltage supply	Unlimited Voltage
	File number UL	E174191
Mechanical data		
Weight [g]	436.5	
Housing	rectangular	
Mounting	non-flush mountable	
Dimensions [mm]	105 x 80 x 40	
Materials	PPE	
Displays / operating elements		
Display	switching status	1 x LED, yellow
Accessories		
Accessories (supplied)	screwdriver: 1	
Remarks		
Remarks	For the normally closed function, connect pin 3 (blue) to terminal 5 in the unit	
Pack quantity	1 pcs.	
Electrical connection - plug		
Connector: 1 x M12		
		

# ID5046



## Inductive sensor

IDE3060-FPKG/US-100-DPS

### Connection

