



- Simple, front-end parameterization
- Bit refresh function improves signal quality
- Adjustable transmission speeds of 1.2 kbit/s and 1.5 Mbit/s - automatic with PROFIBUS DP
- Intrinsically Safe field interface for RS-485

MY R. STAHL 9185A



9185/11 series fieldbus isolating repeaters are the interface between intrinsically safe and non-intrinsically safe PROFIBUS DP segments, Modbus RTU segments and other similar fieldbus segments. These devices galvanically separate intrinsically safe bus interfaces (RS-422/RS-485) from non-intrinsically safe interfaces (RS-232, RS-422 or RS-485).

Technical Data

Explosion Protection	
Application range (zones)	2
Ex interface zone	1, 2, 21, 22
IECEX gas certificate	IECEX BVS 06.0004 X
IECEX gas explosion protection	Ex nA [ib Gb] IIC T4 Gc
IECEX dust certificate	IECEX BVS 06.0004 X
IECEX dust explosion protection	[Ex ib Db] IIIC
ATEX gas certificate	DMT 02 ATEX E 246 X
ATEX gas explosion protection	⊕ II 3 (2) G Ex nA [ib Gb] IIC T4 Gc
ATEX dust certificate	DMT 02 ATEX E 246 X
ATEX dust explosion protection	⊕ II (2) D [Ex ib Db] IIIC
FMus certificate	FM16US0122X
cFM certificate	FM16CA0067X
Marking cFMus	Class I, Div. 2, Groups A,B,C,D; Class I, Zone 2, AEx/Ex nA Group IIC AIS Class I,II,III, Div. 1, Groups A,B,C,D,E,F,G; Class I, Zone 1, [AEx ib]/[Ex ib] IIC T4 at Ta = 70°C See Doc. 91 856 01 31 1
Certificates	ATEX (BVS), Canada (FM), China (NEPSI), IECEX (BVS), Korea (KGS), USA (FM)
Ship approval	ABS, BVIS, CCS, EU RO MR (DNV), KR, LR
Declaration of Conformity	ATEX (EUK), China (CCC)
Safety Data	
Max. voltage U_o/V_{oc}	3.73 V
Max. current I_o/I_{sc}	149 mA
Max. power P_o	139 mW
Max. voltage U_i connection (RS485-IS)	± 4,2 V
Internal capacitance	Negligible
Internal inductance	Negligible

Network and Wireless Solutions

Fieldbus isolating repeater

ISpac

9185/11-35-10s Art. No. 227598



Safety Data

Safety-related max. voltage	253 V
-----------------------------	-------

Electrical Data

Protocols	ServiceBus R.STAHL (IS1) Modbus PROFIBUS DP HART over RS485
Data rate	1.2 kbps ... 1.5 mbps
Data rate settings	Fixed transmission rate or automatic detection > 9.6 kbps (only for PROFIBUS DP)
Electric interface connection	Sub-D socket, 9-pole
Field side of interfaces	RS-485 IS (PNO)
Interface field area level	Switchable: RS-485 IS (PNO specification) and RS-485 IS (R. STAHL specification)
Safe area interfaces	RS 232, RS 422, RS 485
Data transmission display	green RxD1, RxD2 and RxD3
Display error	Red "ERR" LED
Terminating resistor	To be connected in external plug
Line length	Depends on transmission rate and cable
RS232	Data rate: 1.2 ... 93.75 kBit/s Connection length: < 20 m

Auxiliary Power

Auxiliary power	24 V AC / DC
Nominal voltage V_{nom}	24 V UC
Auxiliary power voltage range	24 V AC $\pm 15\%$, 18 to 31.2 V DC
Voltage range residual ripple	$\leq 3,6 V_{SS}$
Nominal current	66 mA
Power consumption	1.6 W
Polarity reversal protection	Yes
Undervoltage monitoring	Yes
Operation indication	Green "PWR" LED

Galvanic Isolation

Test voltage as per standard	EN 60079-11
Test voltage as per standard	EN 50178
Ex interface to auxiliary power	1.5 kV AC
Ex interface to non-Ex i interface	1.5 kV AC
Auxiliary power to non-Ex i interface	500 V

Ambient Conditions

Ambient temperature °C	-20 °C ... +70 °C (Single device) -20 °C ... + 60 °C (Group assembly)
Ambient temperature °F	-4°F ... +158°F (Single device) -4°F ... +140°F (Group assembly)
Storage temperature °C	-40°C ... +80°C
Storage temperature °F	-40°F ... +176°F
Max. relative humidity	95%
Use at the height of	< 2000 m

Mechanical Data

Degree of protection (IP)	IP30
---------------------------	------

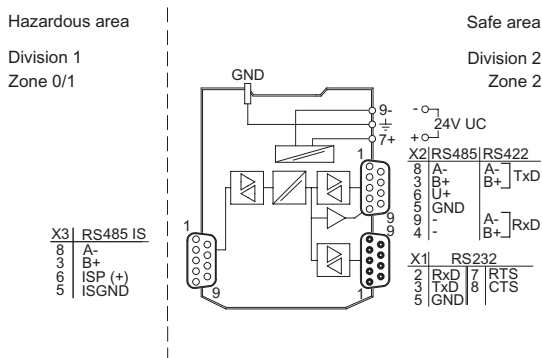
Mechanical Data

Degree of protection (IP) terminals	IP20
Fire resistance (UL 94)	V0
Enclosure material	Polyamide
Connection cross-section	0.2 to 2.5 mm ² flexible 0.2 to 2.5 mm ² rigid 0.25 to 2.5 mm ² flexible with core end sleeve
Connection cross-section AWG	24 ... 14
Grid dimension	35.2 mm
Width	35.2 mm
Width, inches	1.39 in
Height	114.5 mm
Height, inches	4.51 in
Length	108 mm
Length, inches	4.25 in
Weight	350 g
Weight	0.77 lb

Mounting / Installation

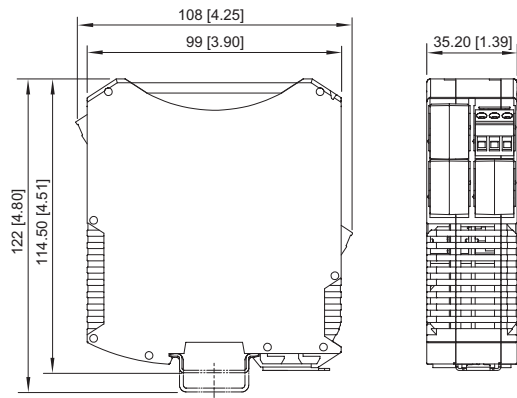
Mounting orientation	Vertical Horizontal
Connection type	Screw terminal
Min. rigid conductor cross section	0.2 mm ²
Max. rigid conductor cross section	2.5 mm ²
Min. flex conductor cross section	0.2 mm ²
Max. flex conductor cross section	2.5 mm ²

Technical Drawings – Subject to Alterations



Connection diagram 9185/11

Dimensional Drawings (All Dimensions in mm [inches]) – Subject to Alterations



ISpac Series 9185, 9192 with screw terminal

Accessories

Sub-D plug, RS-485 IS, angled

Art. No.

	<p>9-pin for connecting fieldbus or ServiceBus to CPU & power module Series 9440/22, 9185 fieldbus isolating repeater and 9786/12-11 media converter. The end-of-line resistor is installed and switchable. For RS 485 IS (according to Profibus standard). Ambient temperature: -40 °C to +70 °C</p>	<p>162693</p>
	<p>9-pin for connecting 9185 fieldbus isolating repeater and 9786/12-11 media converter. The end-of-line resistor is installed. For RS-485 IS (according to Profibus standard). Ambient temperature: -25 °C to +70 °C</p>	<p>201805</p>

We reserve the right to make alterations to the technical data, dimensions, weights, designs and products available without notice. The illustrations cannot be considered binding.