

X20(c)DI6371

1 General Information

The module is equipped with 6 inputs for 1 or 2-wire connections. The X20 6-pin terminal block can be used for universal 1-line wiring. Two-line wiring can be implemented using the 12-pin terminal block. The inputs on the module are designed for sink connections.

- 6 digital inputs
- Sink connection
- 2-wire connections
- 24 VDC for sensor supply
- Software input filter can be configured for entire module
- 1-wire connection type with 6-pin terminal block

2 Coated modules

Coated modules are X20 modules with a protective coating for the electronics component. This coating protects X20c modules from condensation and corrosive gases.

The modules' electronics are fully compatible with the corresponding X20 modules.

For simplification purposes, only images and module IDs of uncoated modules are used in this data sheet.

The coating has been certified according to the following standards:

- Condensation: BMW GS 95011-4, 2x 1 cycle
- Corrosive gas: EN 60068-2-60, method 4, exposure 21 days



2.1 -40°C starting temperature

The starting temperature describes the minimum permissible ambient temperature when the power is switched off at the time the coated module is switched on. This is permitted to be as low as -40°C. During operation, the conditions as specified in the technical data continue to apply.

Information:

It is important to absolutely ensure that there is no forced cooling by air currents in a closed control cabinet, for example using a fan or ventilation slots.

3 Order data


Model number	Short description	Figure
	Digital inputs	
X20DI6371	X20 digital input module, 6 inputs, 24 VDC, sink, configurable input filter, 2-wire connections	
X20cDI6371	X20 digital input module, coated, 6 inputs, 24 VDC, sink, configurable input filter, 2-wire connections	
	Required accessories	
	Bus modules	
X20BM11	X20 bus module, 24 VDC keyed, internal I/O supply continuous	
X20BM15	X20 bus module, with node number switch, 24 VDC keyed, internal I/O supply continuous	
X20cBM11	X20 bus module, coated, 24 VDC keyed, internal I/O supply continuous	
	Terminal blocks	
X20TB06	X20 terminal block, 6-pin, 24 VDC keyed	
X20TB12	X20 terminal block, 12-pin, 24 VDC keyed	

Table 1: X20DI6371, X20cDI6371 - Order data

4 Technical data

Model number	X20DI6371	X20cDI6371
Short description	6 digital inputs 24 VDC for 1- or 2-wire connections	
General information		
B&R ID code	0x1B93	0xE222
Status indicators	I/O function per channel, operating state, module status	
Diagnostics		
Module run/error	Yes, using status LED and software	
Power consumption		
Bus	0.15 W	
Internal I/O	0.88 W	
Additional power dissipation caused by actuators (resistive) [W]	-	
Certifications		
CE	Yes	
ATEX	Zone 2, II 3G Ex nA nC IIA T5 Gc IP20, Ta (see X20 user's manual) FTZU 09 ATEX 0083X	
UL	cULus E115267 Industrial control equipment	
HazLoc	cCSAus 244665 Process control equipment for hazardous locations Class I, Division 2, Groups ABCD, T5	
DNV GL	Temperature: B (0 - 55°C) Humidity: B (up to 100%) Vibration: B (4 g) EMC: B (bridge and open deck)	
LR	ENV1	
KR	Yes	
EAC	Yes	
KC	Yes	-
Digital inputs		
Nominal voltage	24 VDC	
Input characteristics per EN 61131-2	Type 1	
Input voltage	24 VDC -15 % / +20 %	
Input current at 24 VDC	Typ. 3.75 mA	
Input circuit	Sink	
Input filter		
Hardware	≤100 μs	
Software	Default 1 ms, configurable between 0 and 25 ms in 0.2 ms intervals	
Connection type	1- or 2-wire connections	
Input resistance	Typ. 6.4 kΩ	
Switching threshold		
Low	<5 VDC	
High	>15 VDC	
Isolation voltage between channel and bus	500 V _{eff}	
Sensor power supply		
Voltage	Module supply minus voltage drop for short circuit protection	


Table 2: X20DI6371, X20cDI6371 - Technical data

Model number	X20DI6371	X20cDI6371
Voltage drop for short-circuit protection at 500 mA		Max. 2 VDC
Summation current		0.5 A
Short-circuit proof		Yes
Electrical properties		
Electrical isolation		Channel isolated from bus Channel not isolated from channel
Operating conditions		
Mounting orientation		
Horizontal		Yes
Vertical		Yes
Installation elevation above sea level		
0 to 2000 m		No limitations
>2000 m		Reduction of ambient temperature by 0.5°C per 100 m
Degree of protection per EN 60529		IP20
Ambient conditions		
Temperature		
Operation		
Horizontal mounting orientation		-25 to 60°C
Vertical mounting orientation		-25 to 50°C
Derating		-
Storage		-40 to 85°C
Transport		-40 to 85°C
Relative humidity		
Operation	5 to 95%, non-condensing	Up to 100%, condensing
Storage		5 to 95%, non-condensing
Transport		5 to 95%, non-condensing
Mechanical properties		
Note	Order 1x X20TB06 or X20T-B12 terminal block separately Order 1x X20BM11 bus module separately	Order 1x X20TB06 or X20T-B12 terminal block separately Order 1x X20cBM11 bus module separately
Pitch		12.5 ^{+0.2} mm

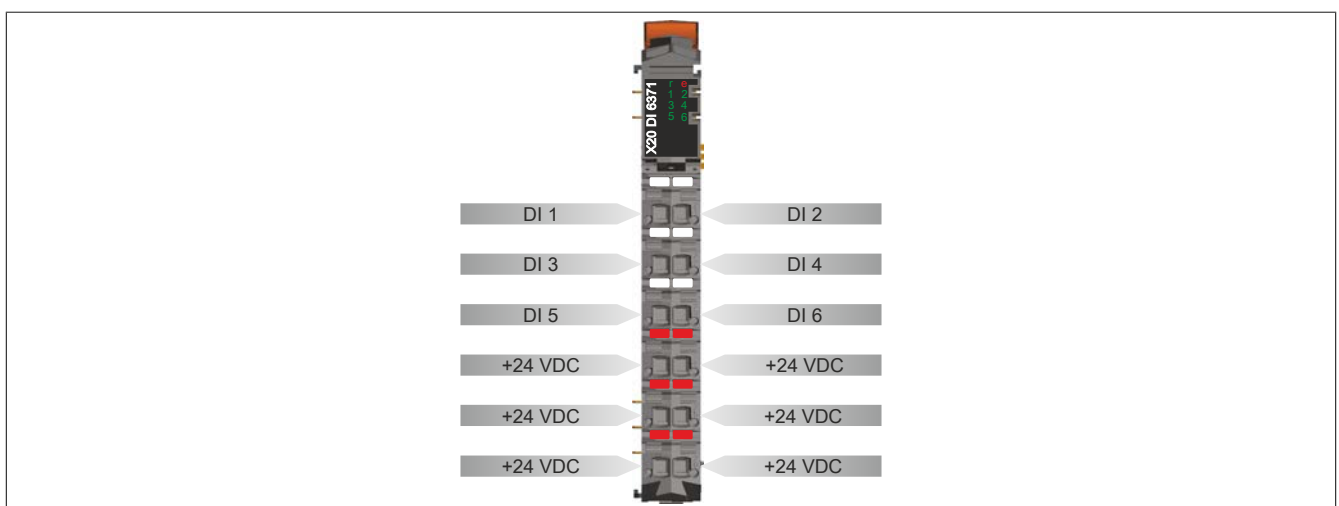
Table 2: X20DI6371, X20cDI6371 - Technical data

5 Status LEDs

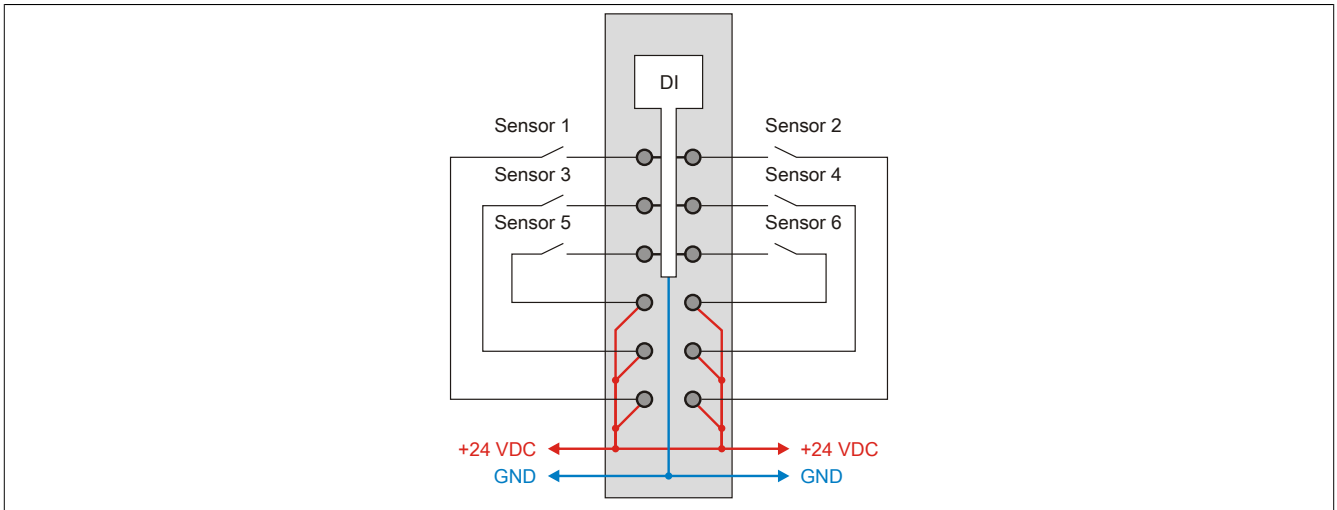
For a description of the various operating modes, see section "Additional information - Diagnostic LEDs" of the X20 system user's manual.

Image	LED	Color	Status	Description
	r	Green	Off	No power to module
			Single flash	RESET mode
			Blinking	PREOPERATIONAL mode
			On	RUN mode
	e	Red	Off	Module supply not connected or everything OK
	e + r	Red on / Green single flash	Invalid firmware	
1 - 6	Green		Input status of the corresponding digital input	

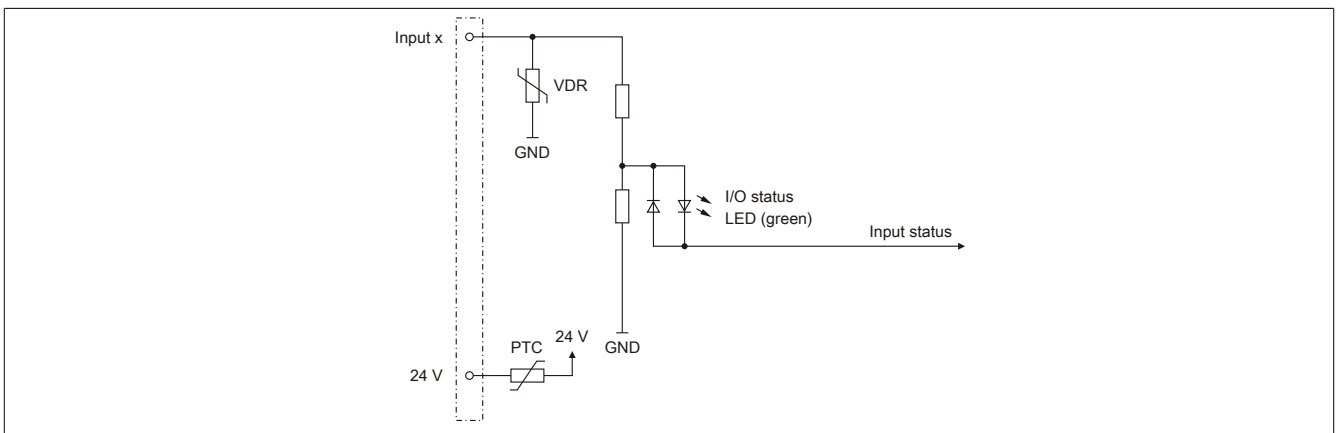
6 Pinout



7 Connection example

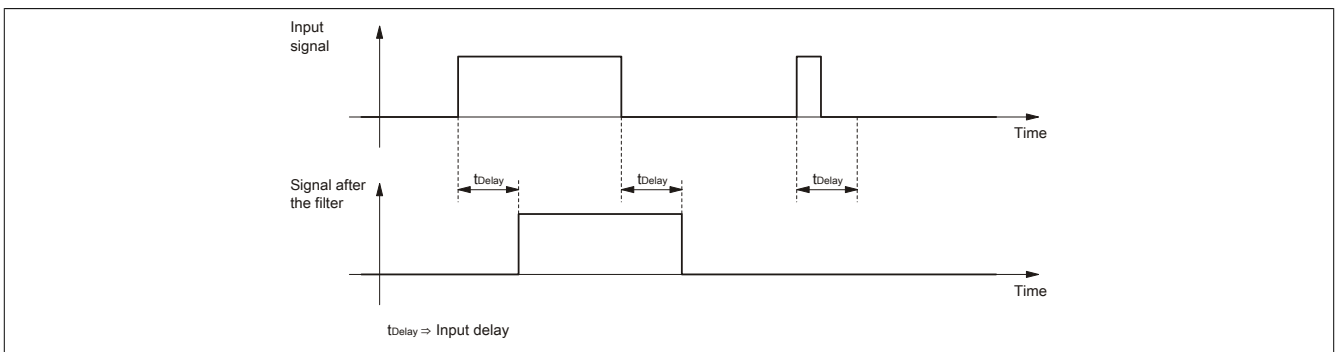


8 Input circuit diagram



9 Input filter

An input filter is available for each input. The input delay can be set using register "[ConfigOutput01](#)" on page 6. Disturbance pulses which are shorter than the input delay are suppressed by the input filter.



10 Register description

10.1 General data points

In addition to the registers described in the register description, the module has additional general data points. These are not module-specific but contain general information such as serial number and hardware variant.

General data points are described in section "Additional information - General data points" of the X20 system user's manual.

10.2 Function model 0 - Standard

Register	Fixed offset	Name	Data type	Read		Write	
				Cyclic	Acyclic	Cyclic	Acyclic
Configuration							
18	-	ConfigOutput01 (input filter)	USINT				•
Communication							
0	1	DigitalInput	USINT	•			
		DigitalInput01	Bit 0				
					
		DigitalInput06	Bit 5				

Fixed modules require their data points to be in a specific order in the X2X frame. Cyclic access occurs according to a predefined offset, not based on the register address.

Acyclic access continues to be based on the register numbers.

10.3 Function model 254 - Bus Controller

Register	Offset ¹⁾	Name	Data type	Read		Write	
				Cyclic	Acyclic	Cyclic	Acyclic
Configuration							
18	-	ConfigOutput01 (input filter)	USINT				•
Communication							
0	0	Input status of digital inputs 1 to 6	USINT	•			
		DigitalInput01	Bit 0				
					
		DigitalInput06	Bit 5				

1) The offset specifies where the register is within the CAN object.

10.3.1 Using the module on the bus controller

Function model 254 "Bus controller" is used by default only by non-configurable bus controllers. All other bus controllers can use other registers and functions depending on the fieldbus used.

For detailed information, see section "Additional information - Using I/O modules on the bus controller" of the X20 user's manual (version 3.50 or later).

10.3.2 CAN I/O bus controller

The module occupies 1 digital logical slot on CAN I/O.

10.4 Digital inputs

Unfiltered

The input state is collected with a fixed offset to the network cycle and transferred in the same cycle.

Filtered

The filtered status is collected with a fixed offset to the network cycle and transferred in the same cycle. Filtering takes place asynchronously to the network in multiples of 200 µs with a network-related jitter of up to 50 µs.

10.4.1 Digital input filter

Name:

ConfigOutput01

This register can be used to specify the filter value for all digital inputs.

The filter value can be configured in steps of 100 μ s. It makes sense to enter values in steps of 2, however, since the input signals are sampled every 200 μ s.

Data type	Value	Filter
USINT	0	No software filter (bus controller default setting)
	2	0.2 ms

	250	25 ms - Higher values are limited to this value

10.4.2 Input status of digital inputs 1 to 6

Name:

DigitalInput or

DigitalInput01 to DigitalInput06

The input status of digital inputs 1 to 6 is mapped in this register.

Only function model 0 - Standard:

The "Packed inputs" setting in the Automation Studio I/O configuration is used to determine whether all of the bits from these registers should be set up individually as data points in the Automation Studio I/O mapping ("DigitalInput01" through "DigitalInput06") or whether this register should be displayed as an individual USINT data point ("DigitalInput").

Data type	Value	Information
USINT	0 to 63	Packed inputs = On
	See the bit structure.	Packed inputs = Off or function model \neq 0 - Standard

Bit structure:

Bit	Name	Value	Information
0	DigitalInput01	0 or 1	Input status - Digital input 1
...
5	DigitalInput06	0 or 1	Input state - Digital input 6

10.5 Minimum cycle time

The minimum cycle time specifies the time up to which the bus cycle can be reduced without communication errors occurring. It is important to note that very fast cycles reduce the idle time available for handling monitoring, diagnostics and acyclic commands.

Minimum cycle time	
Without filtering	100 μ s
With filtering	150 μ s

10.6 Minimum I/O update time

The minimum I/O update time specifies how far the bus cycle can be reduced so that an I/O update is performed in each cycle.

Minimum I/O update time	
Without filtering	100 μ s
With filtering	200 μ s