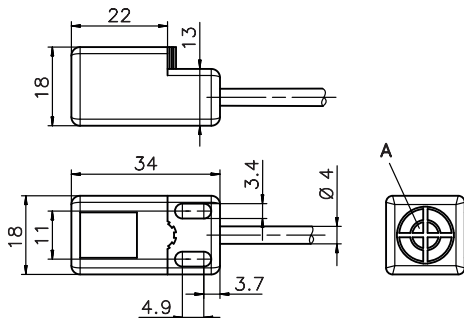
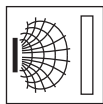




Dimensioned drawing



5mm embedded



Detailed
data sheets:
www.leuze.com



Electrical connection

Cable, 3-wire

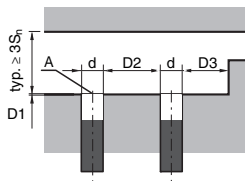
10-30V DC +	BN
GND	BU
OUT	BK

Specifications

Operating voltage U_B	10 ... 30VDC
Output current I_L	$\leq 200\text{mA}$
Switching output/function	see Sensor Types
Switching frequency f	see Sensor Types
Yellow LED (visible from 360°)	switching state
Standard target material	Fe360

Operate in accordance with intended use!

- ⚠ This product is not a safety sensor and is not intended as personnel protection.
- ⚠ The product may only be put into operation by competent persons.
- ⚠ Only use the product in accordance with the intended use.

IS 122 PP/...
Inductive switches
Mounting
Embedded Mounting

A active surface

 Tightening torque
of the fastening
screws:
< 1.8 Nm !

Sensor Types

Type	Part No.	RANGE/ MOUNTING			ELECTRICAL CONNECTION			OUTPUT			MOUNTING CLEARANCES			Standard Target Size [mm ²]		
		Sensing Range S_n [mm]	Embedded	Non- Embedded	Cable 2m	M8, 3-pole	M12, 4-pole	PNP	NPN	Make- Contact (NO)	Break- Contact (NC)	Switching Frequency f [kHz]	D1 [mm]		D2 [mm]	D3 [mm]
IS 122PP/2NO-5E0	50130020	5	•		•				•	•		0.5	0	18	18	15 x 15
IS 122PP/2NC-5E0	50130021	5	•		•				•		•	0.5	0	18	18	15 x 15
IS 122PP/4NO-5E0	50130022	5	•		•			•		•		0.5	0	18	18	15 x 15
IS 122PP/4NC-5E0	50130023	5	•		•			•		•		0.5	0	18	18	15 x 15