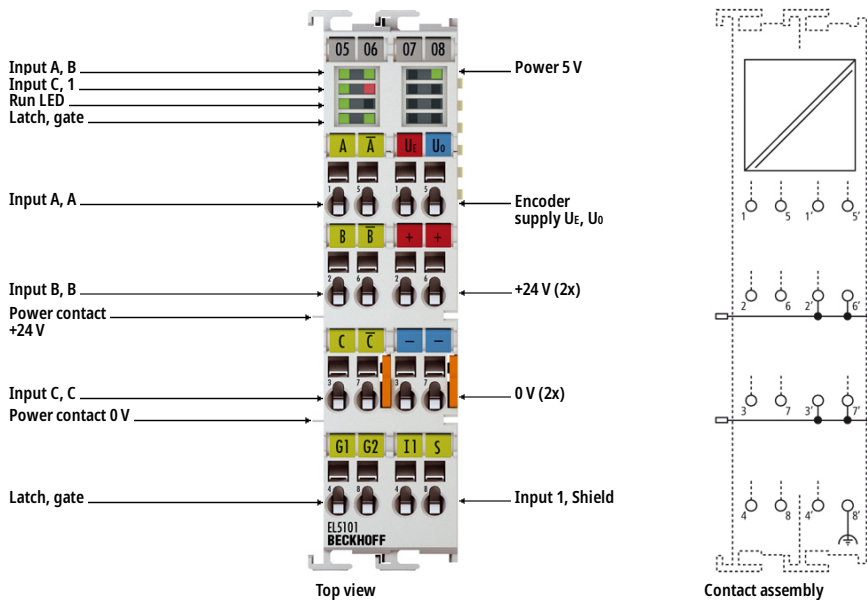
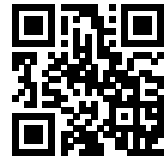


EL5101 | EtherCAT Terminal, 1-channel encoder interface, incremental, 5 V DC (DIFF RS422, TTL), 1 MHz



i Product status: regular delivery

The EL5101 EtherCAT Terminal is an interface for the direct connection of incremental encoders with differential signals (RS422) or TTL single ended signals. Input frequencies up to 1 MHz can be evaluated. Two additional 24 V digital inputs are available for storing, blocking and setting the counter status. The error message output of an encoder can be connected and evaluated via the status input. The 5 V and 24 V supply of the encoder can be provided directly via the terminal connection points.

Special features:

- save, lock, set counter
- integrated frequency and period measurement
- optionally usable as 5 V up/down counter
- microincrements
- synchronous reading of the position value via distributed clocks
- timestamp on the last-registered incremental edge

In addition, the EL5101 enables the measurement of a period or frequency with a resolution of 100 ns. With the optional interpolating microincrement functionality, the EL5101 can provide even more accurate axis positions for dynamic axes. It also supports synchronous reading of the encoder value together with other input data in the EtherCAT system via the high-precision EtherCAT distributed clocks (DC). A timestamp for the last-registered incremental edge is also available. The use of encoder profiles enables simple and fast linking of the process data for motion control applications.

Product information

Technical data

Technical data	EL5101
Technology	incremental encoder interface, differential (RS422), single-ended (TTL), counter, pulse generator
Number of channels	1
Encoder connection	1 x A, B, C: differential inputs (RS422): A, \bar{A} (inv), B, \bar{B} (inv), C, \bar{C} (inv), single-ended connection (TTL): A, B, C, counter, pulse generator: A, B
Additional inputs	status input 5 V DC, gate/latch input 24 V DC
Encoder operating voltage	5 V DC/max. 0.5 A (generated from the 24 V DC power contacts)
Counter	1 x 16/32 bit switchable
Limit frequency	4 million increments/s (with 4-fold evaluation), corresponding to 1 MHz
Quadrature decoder	4-fold evaluation
Distributed clocks	yes
Nominal voltage	24 V DC (-15%/+20%)
Resolution	1/256 bit microincrements
Current consumption power contacts	typ. 100 mA + load
Current consumption E-bus	typ. 130 mA
Special features	wire breakage detection, latch and gate function, period duration and frequency measurement, microincrements, timestamping of edges, filters
Weight	approx. 100 g
Electrical isolation	500 V (E-bus/field potential)
Operating/storage temperature	-25...+60°C/-40...+85°C
Relative humidity	95%, no condensation
Vibration/shock resistance	conforms to EN 60068-2-6/EN 60068-2-27
EMC immunity/emission	conforms to EN 61000-6-2/EN 61000-6-4
Protect. rating/installation pos.	IP20/variable
Pluggable wiring	for all ESxxx terminals
Approvals/markings	CE, UL, ATEX, IECEx
Ex marking	ATEX: II 3 G Ex ec IIC T4 Gc IECEx: Ex ec IIC T4 Gc

Housing data	EL-24-2x8pin	ES-24-2x8pin
--------------	--------------	--------------

Design form	compact terminal housing with signal LEDs	terminal housing with pluggable wiring level
Material	polycarbonate	
Dimensions (W x H x D)	24 mm x 100 mm x 68 mm	
Installation	on 35 mm DIN rail, conforming to EN 60715 with lock	
Side by side mounting by means of	double slot and key connection	
Marking	labeling of the BZxxx series	
Wiring	solid conductor (s), flexible conductor (st) and ferrule (f): spring actuation by screwdriver	
Connection cross-section	s*: 0.08...2.5 mm ² , st*: 0.08...2.5 mm ² , f*: 0.14...1.5 mm ²	s*: 0.08...1.5 mm ² , st*: 0.08...1.5 mm ² , f*: 0.14...1.5 mm ²
Connection cross-section AWG	s*: AWG28...14, st*: AWG28...14, f*: AWG26...16	s*: AWG28...16, st*: AWG28...16, f*: AWG26...16
Stripping length	8...9 mm	9...10 mm
Current load power contacts	I _{max} : 10 A	

*s: solid wire; st: stranded wire; f: with ferrule

Ordering information

Ordering information	
EL5101	EtherCAT Terminal, 1-channel encoder interface, incremental, 5 V DC (DIFF RS422, TTL), 1 MHz
ES5101	EtherCAT Terminal, 1-channel encoder interface, incremental, 5 V DC (DIFF RS422, TTL), 1 MHz, pluggable wiring