

# Product data sheet

Specifications



## Discrete output module, Modicon Premium, 16 outputs, 0.25W, overvoltage protection by DC/AC inductive

TSXDSY16R5

! Discontinued - Service only

! Discontinued on: Dec 2, 2020

! To be end-of-service on: Dec 31, 2026

**Product availability: Stock - Normally stocked in distribution facility**

### Main

Range Of Product	Modicon Premium Automation platform
Product Or Component Type	Discrete output module
Discrete Output Number	16
Discrete Output Type	Relay not protected
Discrete Output Voltage	12...24 V DC EN/IEC 61131-2 10...34 V 24...240 V AC EN/IEC 61131-2 20...264 V

### Complementary

[I <sub>th</sub> ] Conventional Free Air Thermal Current	3 A
Response Time	< 10 ms (deactivation) < 8 ms (activation)
Contacts Type And Composition	1 NO
Output Overvoltage Protection	DC inductive, by discharge diode on each preactuator AC inductive, by RC circuit MOV (ZNO) on each preactuator
Output Overload Protection	1 external fuse per channel or group of channel fast blow
Short-Circuit Protection	1 external fuse per channel or group of channel fast blow
Isalotion Resistance	> 10 MOhm 500 V
Power Dissipation	(0.25 W + 0.2 W x No of outputs at state 1)

Price is "List Price" and may be subject to a trade discount – check with your local distributor or retailer for actual price.

<b>Electrical Durability</b>	1000000 cycles DC-12 24 W 24 V resistive 1000000 cycles DC-3 24 W 24 V inductive 2000000 cycles DC-3 10 W 24 V inductive 300000 cycles DC-12 40 W 24 V resistive 100000 cycles AC-14 220 VA 220 V inductive 100000 cycles AC-15 220 VA 220 V inductive 1000000 cycles AC-12 110 VA 110 V resistive 1000000 cycles AC-12 220 VA 220 V resistive 1000000 cycles AC-12 50 VA 48 V resistive 1000000 cycles AC-14 110 VA 220 V inductive 1000000 cycles AC-15 110 VA 220 V inductive 150000 cycles AC-14 110 VA 110 V inductive 150000 cycles AC-15 110 VA 110 V inductive 1500000 cycles AC-14 50 VA 110 V inductive 1500000 cycles AC-15 50 VA 110 V inductive 2000000 cycles AC-14 24 VA 48 V inductive 2000000 cycles AC-15 24 VA 48 V inductive 3000000 cycles AC-14 50 VA 220 V inductive 3000000 cycles AC-15 50 VA 220 V inductive 500000 cycles AC-12 110 VA 48 V resistive 500000 cycles AC-12 220 VA 110 V resistive 500000 cycles AC-14 24 VA 24 V inductive 500000 cycles AC-15 24 VA 24 V inductive 5000000 cycles AC-14 10 VA 110 V inductive 5000000 cycles AC-14 10 VA 220 V inductive 5000000 cycles AC-14 10 VA 48 V inductive 5000000 cycles AC-15 10 VA 110 V inductive 5000000 cycles AC-15 10 VA 220 V inductive 5000000 cycles AC-15 10 VA 48 V inductive 700000 cycles AC-12 50 VA 24 V resistive
<b>Marking</b>	CE
<b>Electrical Connection</b>	Screw terminal block
<b>Current Consumption</b>	135 mA 24 V DC rack 80 mA 5 V DC
<b>Module Format</b>	Standard
<b>Net Weight</b>	0.84 lb(US) (0.38 kg)

## Environment

<b>Dielectric Strength</b>	2000 V 50/60 Hz 60 s
<b>Standards</b>	73/23/EEC IEC 61131-2 UL 508 CSA C22.2 No 213 Class I Division 2 Group B 92/31/EEC 89/336/EEC CSA C22.2 No 213 Class I Division 2 Group C CSA C22.2 No 213 Class I Division 2 Group A CSA C22.2 No 142 CSA C22.2 No 213 Class I Division 2 Group D 93/68/EEC
<b>Product Certifications</b>	BV RINA LR ABS RMRS GL DNV
<b>Ambient Air Temperature For Operation</b>	32...140 °F (0...60 °C)
<b>Ambient Air Temperature For Storage</b>	-13...158 °F (-25...70 °C)
<b>Relative Humidity</b>	10...95 % without condensation for operation 5...95 % without condensation for storage
<b>Operating Altitude</b>	0...6561.68 ft (0...2000 m)
<b>Protective Treatment</b>	TC
<b>Ip Degree Of Protection</b>	IP20

---

Pollution Degree	2
------------------	---

## Ordering and shipping details

---

Category	22558 - TSX PREMIUM, ATRIUM & PL7 PRO
Discount Schedule	PC22
Gtin	3389110725834
Returnability	No
Country Of Origin	FR

## Packing Units

---

Unit Type Of Package 1	PCE
Number Of Units In Package 1	1
Package 1 Height	2.17 in (5.5 cm)
Package 1 Width	7.09 in (18.0 cm)
Package 1 Length	10.24 in (26.0 cm)
Package 1 Weight	17.00 oz (482.0 g)

## Contractual warranty

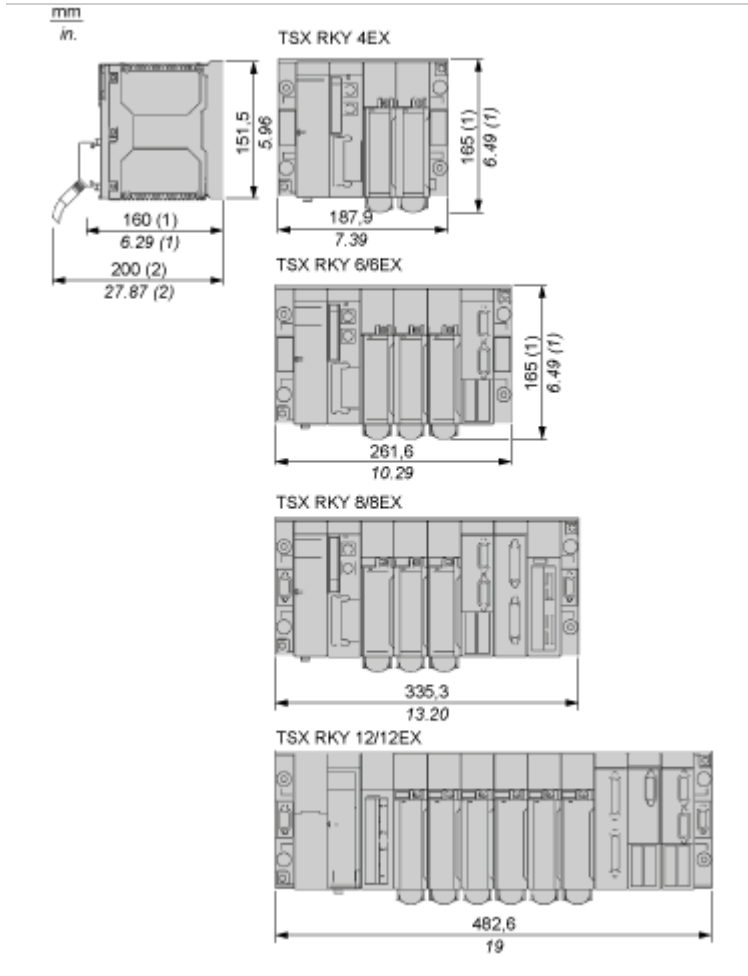
---

Warranty	18 months
----------	-----------

Dimensions Drawings

Standard and Extendable Racks for Modules Mounting

Dimensions of Modules and Racks



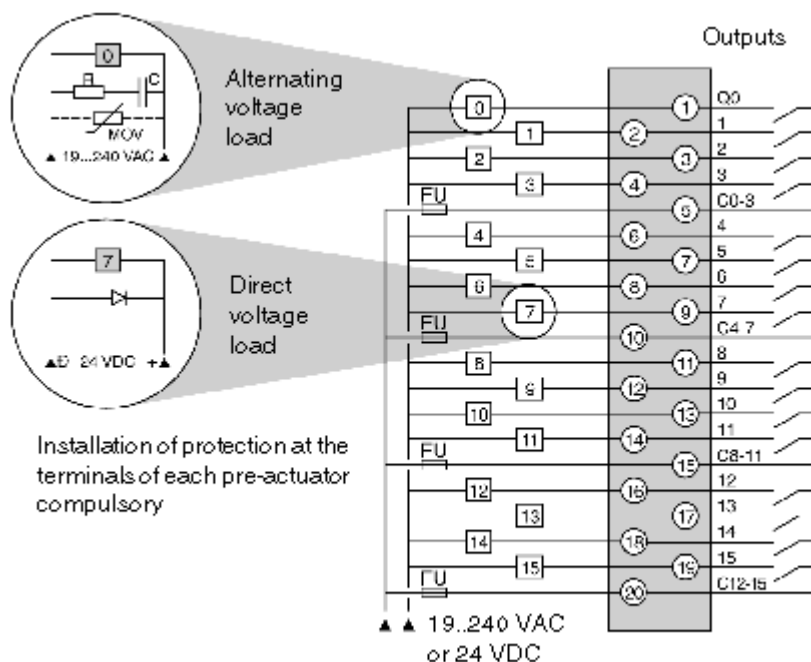
(1) With screw terminal block modules.

(2) Maximum depth for all types of modules and their associated connectors.

Connections and Schema

Discrete Relay Output 16-Channel Module for 3 A Thermal Current

Wiring Diagram



Installation of protection at the terminals of each pre-actuator compulsory

Precaution

NOTE: In the event of pre-actuator supply voltage being obtained from a tri-phase network which is equal to or greater than 200 Vac, the pre-actuators must be supplied from the same phase.