



## PR-FB30N1

Flat Reflective (Background suppression) Cable Type 30mm



\*Please note that accessories depicted in the image are for illustrative purposes only and may not be included with the product.

## Specifications

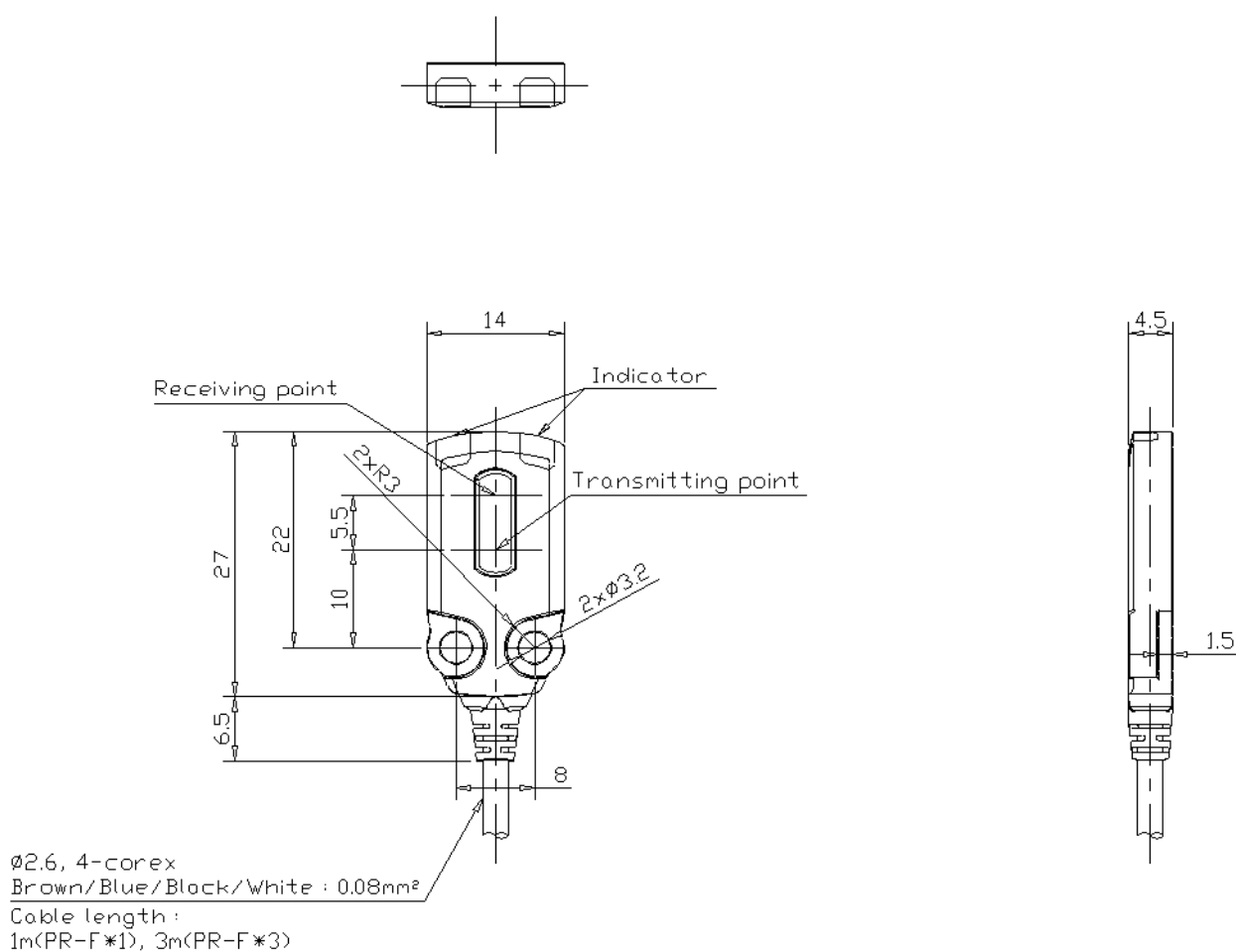
Model	PR-FB30N1	
Type	Reflective (Background suppression)	
Output	NPN	
Shape	Flat	
Cable connection	1 m cable	
Detection distance	1 to 30 mm 0.039" to 1.181"	
Number of control outputs	2 outputs	
Output operation	Output 1	Light-ON
	Output 2	Dark-ON
Response time	Output 1	0.5 ms
	Output 2	ON→OFF: 2.7 ms, OFF→ON: 0.5 ms
Sensitivity adjustment	None	
Spot diameter	Approx. ø5 mm (at 30 mm)	
Light source	4 element, point light source, red LED (650 nm)	
Mutual interference prevention function	4 sensors	
Indicator lamp	Output indicator (orange), stable operation indicator (green), thru-beam type transmitter: power supply indicator (green)	
Control output	30 VDC or lower, 50 mA or lower Leakage current: When 3 kΩ load resistance, 0.3 mA or lower. When 1 kΩ load resistance, 0.5 mA or lower. When 0.2 kΩ load resistance, 1.5 mA or lower Residual voltage: When 10 mA or lower, 1.0 V or lower. When 10 to 30 mA, 1.5 V or lower. When 30 to 50 mA, 2.0 V or lower.	
Protection circuit	Power supply reverse connection protection, output overcurrent protection, output surge protection, power supply surge protection	
Rating	Power voltage	10 to 30 VDC, including Ripple (P-P) 10 %
	Current consumption	19 mA
Environmental resistance	Enclosure rating	IP67 (IEC60529), IP69K (DIN40050-9), 4X, 6P, 13 (NEMA250)
	Insulation resistance	20 MΩ or higher (500 VDC)
	Ambient light	Incandescent lamp: 5,000 lux or lower, Sunlight: 20,000 lux or lower
	Ambient temperature	-25 to +55 °C -13 to 131 °F (No freezing)
	Storage temperature	-25 to +75 °C -13 to 167 °F
	Relative humidity	35 to 85 % RH (No condensation)
	Withstand voltage	1,000 VAC, 50/60 Hz, 1 min
	Vibration resistance	10 to 55 Hz, Double amplitude 1.5 mm 0.06", 2 hours in each of the X, Y, and Z directions
	Shock resistance	1,000 m/s <sup>2</sup> , 6 times in each of the X, Y, and Z directions

Material	Case: SUS316L, indicator cover/lens cover: polysulfone, cord protector: polymethylpentene, filler: polyester-based resin
Accessories	Instruction manual
Weight	Approx. 18 g

## Dimensions

\* Download CAD file or product manual for larger image/text and more detail.

PR-F B15N1/F B30N1/F B15N3/F B15P3/F B30N3/F B30P3



pr-fb15n\_fb30n\_fb15p\_fb30p\_dimension\_01.gif

PR-FB15N1/FB30N1/FB15N3/FB15P3/FB30N3/FB30P3

