

# Product datasheet

Specifications



## small panel with keypad - with matrix screen - green - 5 V

XBTN400

! Discontinued on: 23 December 2022

! End-of-service on: 23 December 2022

! Discontinued - Service only

### Main

Range of product	Magelis XBTN
Product or component type	Small panel with keypad
Display resolution	122 x 32 pixels
Software type	Configuration software
Software designation	Vijeo Designer Lite
Operating system	Magelis

### Complementary

Display type	Extra-bright matrix backlit LCD
Display colour	Green
Character font	ASCII Chinese (simplified Chinese) Katakana Cyrillic Greek
[Us] rated supply voltage	5 V DC
Supply	From PLC (terminal port)
Number of key	8
Number of fixed keys	4
Number of customisable keys	4
Number of pages	256 alarm pages 200 application pages
Memory type	Flash
Memory capacity	512 KB
Integrated connection type	Serial link: female RJ45, asynchronous transmission mode (RS232C/RS485)point-to-point topology
Realtime clock	Access to the PLC real-time clock
Product mounting	Flush mounting
Fixing mode	By 2 spring clips
Display material	Polyester
Front material	PPT
Keypad material	Polyester

Marking	CE
Width	132 mm
Height	74 mm
Depth	43 mm
Cut-out dimensions	119.4 (+/- 0.5) x 63 (+/- 0.4) mm
Net weight	0.36 kg

## Environment

Messages display capacity	4 lines of 20 characters maximum 1 line of 5 characters minimum
Downloadable protocols	Uni-TE Modbus
Standards	UL 508 IEC 61131-2 CSA C22.2 No 14 IEC 60068-2-27 IEC 60068-2-6
Product certifications	CSA Class 1 Division 2 UL 1604 UL Class 1 Division 2 ATEX zone 2/22
Ambient air temperature for operation	0...55 °C
Ambient air temperature for storage	-20...60 °C
Relative humidity	0...85 % without condensation
IP degree of protection	IP20 (rear panel) conforming to IEC 60529 IP65 (front panel) conforming to IEC 60529
NEMA degree of protection	NEMA 4X front panel (outdoor use)
Shock resistance	15 gn for 11 ms
Vibration resistance	+/- 3.5 mm (f = 2...8.45 Hz) 1 gn (f = 8.45...150 Hz)

## Packing Units

Unit Type of Package 1	PCE
Number of Units in Package 1	1
Package 1 Height	4.2 cm
Package 1 Width	16.1 cm
Package 1 Length	23.2 cm
Package 1 Weight	440.0 g
Unit Type of Package 2	S03
Number of Units in Package 2	11
Package 2 Height	30.0 cm
Package 2 Width	30.0 cm
Package 2 Length	40.0 cm
Package 2 Weight	5.21 kg

## Offer Sustainability

REACH Regulation	<a href="#">REACH Declaration</a>
REACH free of SVHC	Yes
EU RoHS Directive	Pro-active compliance (Product out of EU RoHS legal scope)

[EU RoHS Declaration](#)

---

<b>Mercury free</b>	Yes
<b>China RoHS Regulation</b>	<a href="#">China RoHS declaration</a>
<b>RoHS exemption information</b>	Yes

---

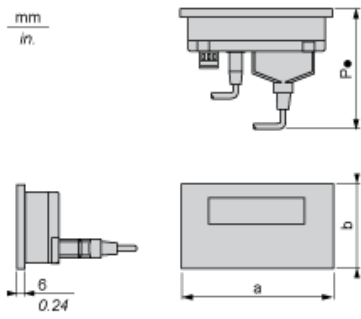
**WEEE**                      The product must be disposed on European Union markets following specific waste collection and never end up in rubbish bins

**Contractual warranty**

---

<b>Warranty</b>	18 months
-----------------	-----------

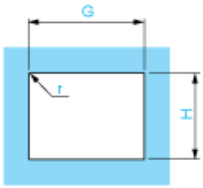
**Dimensions**



a		b		b1 (1)		P1 (2)	
mm	in.	mm	in.	mm	in.	mm	in.
132	5.19	74	3	104	4.09	78	3.07
(1) With fixing clips (included with product)							
(2) P1: depth with RJ45 cable XBTZ9780 (for Twido, TSX Micro and Premium)							

**Cut-out for Flush Mounting**

---



Panel thickness = 1.5...6 mm / 0.05...0.23 in.

H		G		r max.	
±0.4 mm	±0.02 in.	±0.5 mm	±0.02 in.	mm	in.
63	2.48	119.4	5	1.5	0.05

**Recommended replacement(s)**

XBTN400 is replaced by:

1x



4.3" wide screen touch panel, RS-232/485 RJ45  
HMISTO715