

PanelView Component Specifications

Catalog Numbers 2711C-F2M, 2711C-K2M, 2711C-T3M, 2711C-K3M, 2711C-T6M, 2711C-T6C, 2711C-T6T, 2711C-T10C



Topic	Page
PanelView Component Family	1
Environmental Specifications	2
Certifications	2
Technical Specifications	3
Dimensions	5
Accessories	6
Software	7
Cables	8
Additional Resources	10

PanelView Component Family

This component level operator interface provides a control and visualization solution for low-level applications using serial or Ethernet communication. This device can connect directly to the PowerFlex 4 drives. Preferred controllers include the Allen-Bradley Micrologix, SLC, and Micro800 families.

The integrated mounting clamps of the PanelView Component provides easier panel installation and maintenance.

These 2-inch to 10-inch displays have built-in programming software that is accessed from a web browser over a USB or Ethernet connection. This means you can design your application and adjust terminal settings while viewing the results directly on the connected terminal.

Secured programming access, unicode language switching, alarm messages and history, and recipe operations are other key features.

Environmental Specifications

Table 1 - Environmental Specifications - PanelView Component Terminals

Attribute	2711C-F2M, 2711C-K2M, 2711C-T3M, 2711C-K3M, 2711C-T6M, 2711C-T6C, 2711C-T6T, 2711C-T10C
Temperature, operating	0...50 °C (32...122 °F)
Temperature, storage	-25...70 °C (-13...158 °F)
Heat Dissipation	C200/C300: 16 BTU/hr C600: 32 BTU/hr C1000: 58 BTU/hr
Relative humidity	0...95% noncondensing
Vibration	2 g at 10...500 Hz
Altitude, operating	2000 m (6561 ft)
Shock, operating	15 g at 11 ms
Shock, nonoperating	30 g at 11 ms
Enclosure ratings	NEMA/UL Type 12, 13, 4X (indoor use only), IEC IP54, IP65 2711C-T6M, 2711C-T6C Series B only: NEMA/UL Type 12, 13, and IEC IP54

Certifications

Table 2 - Certifications - PanelView Component Terminals

Certification ⁽¹⁾	2711C-F2M, 2711C-K2M, 2711C-T3M, 2711C-K3M, 2711C-T6M, 2711C-T6C, 2711C-T6T, 2711C-T10C
c-UL-us	UL Listed Industrial Control Equipment, certified for US and Canada. See UL File E113724
CE	European Union 89/336/EEC EMC Directive, compliant with: <ul style="list-style-type: none"> • EN 61000-6-2; Industrial Immunity • EN 61000-6-4; Industrial Emissions • EN 61131-2; Programmable Controllers
C-Tick	Australian Radiocommunications Act, compliant with: AS/NZS CISPR 11; Industrial Emissions

(1) When marked. See the Product Certification link at <http://www.ab.com> for Declarations of Conformity, Certificates, and other certification details.

Technical Specifications

The tables in this section provide technical specifications for the PanelView Component terminals.

PanelView Component C200 and C300



Table 3 - Technical Specifications - PanelView Component C200 and C300 Terminals

Attribute	Terminal Type	C200 2711C-F2M	C200 2711C-K2M	C300 2711C-T3M	C300 2711C-K3M
Display type		Monochrome transreflective STN passive matrix		Monochrome transreflective FSTN passive matrix	
Display size		2 in.		3 in.	
Display area (WxH)		49 x 14 mm (1.93 x 0.55 in.)		67 x 33 mm (2.64 x 1.30 in.)	
Resolution		122 x 32		128 x 64	
Backlight		50,000 hours life, min.; not replaceable		50,000 hours life, min.; not replaceable	
		Yellow/Green LED indicator		White LED indicator	
Operator input		4 function keys (F1...F4) Up, down, left, right, Enter keys	10 function keys (F1...F10) Numeric keypad 0...9 Up, down, left, right, decimal, +/-, Enter keys	Analog touch	10 function keys (F1...F10) Numeric keypad 0...9 Up, down, left, right, decimal, +/-, Enter keys
Real-time Clock		No battery backup			
Battery		5 year min. at 25 °C (77 °F)			
Programming port		USB device port			
Communication ports		RS-232 (DH-485), RS-232 (DF1), RS485 Multi-vendor communication available for Modbus, Modbus/TCP, Siemens MPI devices			
Memory Card		USB flash drive			
Software		Web-enabled software resident in terminal accessed through web browser Browser support: Firefox 3.0, Internet Explorer 7 Emulator available			
Preferred controller		MicroLogix, SLC, and Micro800 controllers			
Input voltage, DC		18...30V DC (24V DC nominal)			
Power consumption, DC		5 W max (0.21 A at 24V DC)			
Weight approx.		0.19 g (0.40 lb)	0.30 kg (0.65 lb)	0.20 kg (0.43 lb)	0.30 kg (0.65 lb)
Dimensions (HxWxD), approx.		80 x 116 x 54 mm 3.15 x 4.54 x 2.13 in.	119 x 139 x 55 mm 4.69 x 5.47 x 2.15 in.	80 x 116 x 57 mm 3.15 x 4.54 x 2.23 in.	119 x 139 x 55 mm 4.69 x 5.47 x 2.15 in.
Cutout Dimensions (HxWxD)		65 x 100 mm 2.56 x 3.94 in.	100 x 120 mm 3.94 x 4.72 in.	65 x 100 mm 2.56 x 3.94 in.	100 x 120 mm 3.94 x 4.72 in.

PanelView Component C600 and C1000



Table 4 - Technical Specifications - PanelView Component C600 and C1000 Terminals

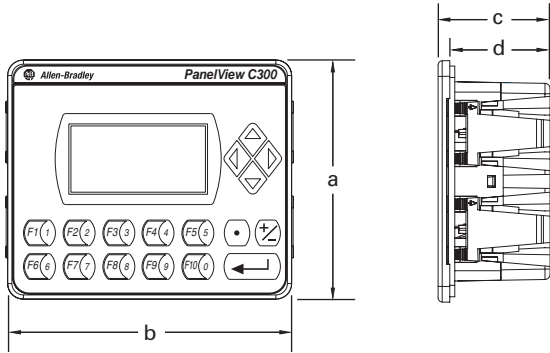
Attribute	Terminal Type	C600 2711C-T6T	C600 2711C-T6C	C600 2711C-T6M	C1000 2711C-T10C
Display type		Color transmissive TFT active matrix LCD	Color transmissive CSTN passive matrix LCD	Monochrome transmissive FSTN passive matrix	Color transmissive TFT active matrix LCD
Display size		5.7 in.			10.4 in.
Display area (WxH)		115 x 86 mm (4.53 x 3.39 in.)			211 x 158 mm (8.31 x 6.22 in.)
Resolution		320 x 240			640 x 480
Backlight		40,000 hours life, min.; not replaceable	50,000 hours life, min.; not replaceable		
		White LED backlight	CCFL		
Operator input		Analog touch Actuation rating: 1,000,000 presses			
Real-time clock		Battery backup			
Battery life		5 year min. at 25 °C (77 °F)			
Programming port		USB device port or Ethernet port			
Communication ports		RS-232 (DH-485), RS-232 (DF1), RS485, Ethernet Multi-vendor communication available for Modbus, Modbus/TCP, Siemens MPI devices			
Memory Card		USB flash drive Secure digital (SD) card: Cat. no. 2711C-RCSD, USB to SD adapter with secure digital (SD)			
Software		Web-enabled software resident in terminal accessed through web browser Browser support: Firefox 3.0, Internet Explorer 7 Emulator available			
Preferred controller		MicroLogix, SLC, and Micro800 controllers			
Input voltage, DC		18...30V DC (24V DC nominal)			
Power consumption, DC		10 W max (0.42 A at 24V DC)			18 W max (0.75 A at 24V DC)
Weight approx.		0.68 g (1.48 lb)			1.57 kg (3.41 lb)
Dimensions (HxWxD), approx.		154 x 209 x 57 mm 6.0 x 8.23 x 2.25 in.			250 x 308 x 54 mm 9.84 x 12.13 x 2.13 in.
Cutout Dimensions (HxWxD)		136 x 190 mm 5.35 x 7.48 in.			232 x 290 mm 9.13 x 11.42 in.

Dimensions

Dimensions are provided for the PanelView Component terminals.

Figure 1 - PanelView Component C200 and C300 Terminals

PanelView Component C200 and C300 Keypad



PanelView Component C200 Function Key and C300 Touch

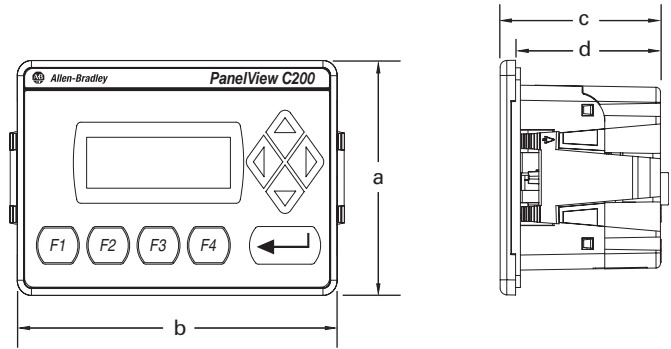
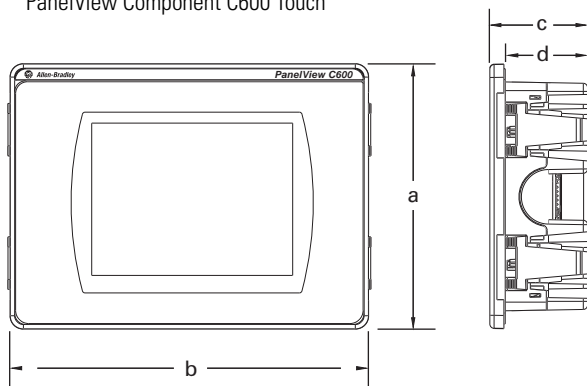


Table 5 - Dimensions - PanelView Component C200 and C300

PanelView Component	Height, Approx.	Width, Approx.	Depth Overall, Approx.	Mounted Depth, Approx.	Cutout Height, Approx.	Cutout Width, Approx.
	a	b	c	d	mm (in.)	mm (in.)
C200 and C300 Keypad	119 mm (4.69 in.)	139 mm (5.47 in.)	55 mm (2.15 in.)	49 mm (1.93 in.)	99.0 ± 1.0 (3.90 ± 0.04)	119.0 ± 1.0 (4.69 ± 0.04)
C200 Function Key	80 mm (3.15 in.)	116 mm (4.57 in.)	54 mm (2.13 in.)	49 mm (1.93 in.)	64.0 ± 1.0 (2.52 ± 0.04)	99.0 ± 1.0 (3.90 ± 0.04)
C300 Touch			57 mm (2.23 in.)		64.0 ± 1.0 (2.52 ± 0.04)	99.0 ± 1.0 (3.90 ± 0.04)

Figure 2 - PanelView Component C600 Touch Terminals

PanelView Component C600 Touch



PanelView Component C1000 Touch

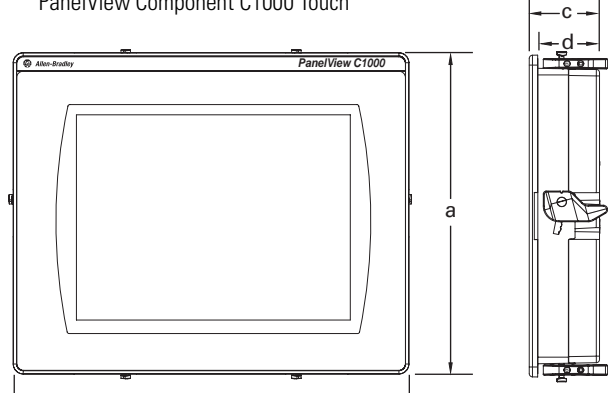


Table 6 - Dimensions - PanelView Component C600 and C1000

PanelView Component	Height, Approx.	Width, Approx.	Depth Overall, Approx.	Mounted Depth, Approx.	Cutout Height, Approx.	Cutout Width, Approx.
	a	b	c	d	mm (in.)	mm (in.)
C600 Touch	154 mm (6.0 in.)	209 mm (8.23 in.)	57 mm (2.25 in.)	49 mm (1.93 in.)	135.0 ± 1.0 (5.31 ± 0.04)	189.0 ± 1.0 (7.44 ± 0.04)
C1000 Touch	250 mm (9.84 in.)	308 mm (12.13 in.)	54 mm (2.13 in.)	49 mm (1.93 in.)	231.0 ± 1.0 (9.09 ± 0.04)	289.0 ± 1.0 (11.38 ± 0.04)

Accessories

Tables 7...10 list the accessories for the PanelView Component terminals.

Table 7 - Secure Digital Card

Cat. No.	Description
2711C-RCSD	USB to SD adapter with secure digital card (SD)

Table 8 - Antiglare Overlays

Cat. No. ⁽¹⁾	PanelView Component Model	Input Type		
		Function Key	Numeric Keypad	Touch
2711C-RG2F	C200	•		
	C300			•
2711C-RG2K	C200		•	
	C300		•	
2711C-RG6T	C600			•
2711C-RG10T	C1000			•

(1) Three overlays are shipped with each catalog number.

Table 9 - Power Terminal Blocks

Cat. No.	Description	Quantity
2711C-RJ422	RS422/485 connector with resistor	10
2711-TBDC	DC power terminal block	10

Table 10 - Power Supply

Cat. No.	Description	Quantity
2711P-RSACDIN	DIN-rail mount AC-to-DC power supply, 85...265V AC, 47...63 Hz	1

Software

The PanelView Component stands apart from other HMI devices with its on-terminal programming software. Eliminating the need to install software on a personal computer reduces both start-up and servicing time. Just connect your computer to the PanelView Component through a USB cable or Ethernet, then launch the software through your web browser. Both Microsoft Internet Explorer and Mozilla Firefox are supported. A dashboard provides a single point of entry for accessing all terminal and design operations.

Take advantage of these features while connected to the terminal:

- Launch the design environment where navigation tabs guide you through application development.
- View the results of your design efforts directly on the terminal without having to download the application first.
- Modify terminal display and communication settings, view system information, and enable login security.
- Transfer files between PanelView Component storage and a USB flash drive, SD card, or computer; and delete files from terminal storage.
- Change the start-up application or language the terminal uses for configuration screens and diagnostic messages.

For programming without a PanelView Component, an emulator for Windows XP and Vista systems is also available. The emulator and browser must be on the same computer.

Table 11 - Supported Operating Systems and Browsers

Operating System	Browser	Platform Supported
Windows Vista	Internet Explorer 7 Firefox 3.0	Terminal and emulator
Windows XP SP2	Internet Explorer 7 Firefox 3.0	Terminal and emulator
Windows 2000 SP4 ⁽¹⁾	Internet Explorer 7 Firefox 3.0	C600 and C1000 terminal using Ethernet

(1) Using Ethernet network connection only.

Cables

The table summarizes cables used by the PanelView Component terminals.

Table 12 - Cables and Adapters

Cat. No.	Description	Connectors	Length
2711C-CBL-UU02	USB host to USB device programming cable.		2 m (6.5 ft)
2711C-CBL-AB03	RS-485 (5-pin) to RJ45 operating/programming cable for connecting PanelView Component terminals to SLC 5/01, 5/02, 5/03 controllers.	RS-485 (5-pin) to RJ45	
1747-CP3	Operating/programming cable for connecting PanelView Component terminals to SLC and MicroLogix controllers.	9-pin D-shell to 9-pin D-shell null modem cable	3 m (10 ft)
1761-CBL-PM02	RS-232 operating/programming cable for connecting PanelView Component terminals to MicroLogix controllers.	9-pin D-shell to 8-pin mini DIN	2 m (6.5 ft)
2711-CBL-PM05	RS-232 operating/programming cable for connecting PanelView Component terminals to MicroLogix controllers.	9-pin D-shell to 8-pin mini DIN	5 m (16.4 ft)
2711-CBL-PM10	RS-232 operating/programming cable for connecting PanelView Component terminals to MicroLogix controllers.	9-pin D-shell to 8-pin mini DIN	10 m (32.7 ft)
2711P-CBL-EX04	Ethernet CAT5 crossover cable for use with PanelView Component C600 and C1000 terminals.	RJ45 to RJ45	4.3 m (14 ft)
1761-NET-AIC	AIC+ advanced interface converter, RS-232/RS-485.	—	—

Runtime Communication Cables

Tables 13...16 provide a summary of connections between PanelView Component terminals and controllers or interface modules for runtime communication.

Table 13 - Runtime Communication Cables: PanelView Component to SLC Controllers

Protocol	PanelView Component Comm Port	SLC 500, 5/01, 5/02 CH1 (RJ45) (DH-485)	SLC 5/03, 5/04, 5/05 CH0 (9-pin RS-232) (DF1 or DH-485)	SLC 5/03 CH1 (RJ45) (DH-485)	SLC 5/04 CH1 (DH+)	SLC 5/05 CH1 (ENET)
DF1	RS-232 (DF1) port (9-pin)	—	1747-CP3 (3 m/10 ft)	—	—	—
DH-485	RS-232 (DH-485) port (9-pin)	Use AIC+ module (1761-NET-AIC) to connect to Port 1 or 2	1747-CP3 (3 m/10 ft)	Use AIC+ module (1761-NET-AIC) to connect to Port 1 or 2	—	—
	RS-485 (DH-485) port (5-pin)	2711C-CBL-AB03 ⁽¹⁾	—	2711C-CBL-AB03 ⁽¹⁾	—	—
EtherNet/IP	EtherNet/IP port	—	Use 1761-NET-ENI module with Ethernet cable	—	—	1585J-M type cable or 2711P-CBL-EX04 (4 m/14 ft) ⁽²⁾

(1) The AIC+ module is recommended for isolation purposes when the terminal and controller are not on the same power supply.

(2) For a direct connection between the terminal and controller, use the 2711P-CBL-EX04 crossover cable.

Table 14 - Runtime Communication Cables: PanelView Component to MicroLogix Controllers

Protocol	PanelView Component Comm Port	MicroLogix 1400, 1500LRP CH1/CH2 (9-pin RS-232) (DF1 or DH-485)	MicroLogix 1000, 1100, 1200, 1400, 1500LSP CH0 (8-pin Mini DIN) (DF1 or DH-485)	MicroLogix 1100, 1400 Ethernet
DF1	RS-232 (DF1) port (9-pin)	1747-CP3 (3 m/10 ft)	1761-CBL-PM02 (2 m/6.5 ft) 2711-CBL-PM05 (5 m/16 ft) 2711-CBL-PM10 (10 m/12 ft) ⁽¹⁾	—
DH-485	RS-232 (DH-485) port (9-pin)	1747-CP3 (3 m/10 ft)	1761-CBL-PM02 (2 m/6.5 ft) 2711-CBL-PM05 (5 m/16 ft) 2711-CBL-PM10 (10 m/12 ft) ⁽¹⁾	—
EtherNet/IP	EtherNet/IP port	Use 1761-NET-ENI module with Ethernet cable		1585J-M type cable or 2711P-CBL-EX04 (4 m/14 ft) ⁽²⁾

(1) The AIC+ module is recommended for isolation purposes when the terminal and controller are not on same power supply.

(2) For a direct connection between the terminal and controller, use the 2711P-CBL-EX04 crossover cable.

Table 15 - Runtime Communication Cables: PanelView Component to CompactLogix Controllers

Protocol	PanelView Component Comm Port	CompactLogix CH0 (9-pin RS-232) (DF1 or DH-485)
DF1	RS-232 (DF1) port (9-pin)	2711-NC13 (5 m/16 ft) 2711-NC14 (10 m/32 ft)
DH-485	RS-232 (DH-485) port (9-pin)	2711-NC13 (5 m/16 ft) 2711-NC14 (10 m/32 ft)
EtherNet/IP	EtherNet/IP port	1585J-M type cable or 2711P-CBL-EX04 (4 m/14 ft) ⁽¹⁾

(1) For a direct connection between the terminal and controller, use the 2711P-CBL-EX04 crossover cable.

Table 16 - Runtime Communication Cables: PanelView Plus to Interface Modules

Protocol	PanelView Plus Comm Port	1761-NET-AIC Port 1 (9-pin)	1761-NET-AIC Port 2 (8-pin Mini DIN)	1761-NET-AIC Port 3 (DH-485)
DF1	RS-232 port (9-pin)	1747-CP3 (3 m/10 ft)	1761-CBL-PM02 (2 m/6.5 ft) 2711-CBL-PM05 (5 m/16 ft) 2711-CBL-PM10 (10 m/12 ft)	—
DH-485	RS-232 port (9-pin)	1747-CP3 (3 m/10 ft)	1761-CBL-PM02 (2 m/6.5 ft) 2711-CBL-PM05 (5 m/16 ft) 2711-CBL-PM10 (10 m/12 ft)	—

Additional Resources

These documents contain additional information concerning related Rockwell Automation products.

Table 17 - Additional Resources

Resource	Description
PanelView Component Installation Instructions, publication 2711C-IN001	Provides instructions for installing a PanelView Component terminal.
PanelView Component User Manual, publication 2711C-UM001	Provides information on how to configure and operate the PanelView Component terminal, including troubleshooting information.
PanelView Component Quick Start, publication 2711C-QS001	Provides instructions on setting up a sample application on a PanelView Component terminal.
Industrial Automation Wiring and Grounding Guidelines, publication 1770-4.1	Provides general guidelines for installing a Rockwell Automation industrial system.
Product Certifications website, http://www.ab.com	Provides declarations of conformity, certificates, and other certification details.

You can view or download publications at <http://rockwellautomation.com/literature>. To order paper copies of technical documentation, contact your local Rockwell Automation distributor or sales representative.

Notes:

Important User Information

Solid-state equipment has operational characteristics differing from those of electromechanical equipment. Safety Guidelines for the Application, Installation and Maintenance of Solid State Controls (publication [SGI-1.1](#) available from your local Rockwell Automation sales office or online at <http://www.rockwellautomation.com/literature/>) describes some important differences between solid-state equipment and hard-wired electromechanical devices. Because of this difference, and also because of the wide variety of uses for solid-state equipment, all persons responsible for applying this equipment must satisfy themselves that each intended application of this equipment is acceptable.

In no event will Rockwell Automation, Inc. be responsible or liable for indirect or consequential damages resulting from the use or application of this equipment.

The examples and diagrams in this manual are included solely for illustrative purposes. Because of the many variables and requirements associated with any particular installation, Rockwell Automation, Inc. cannot assume responsibility or liability for actual use based on the examples and diagrams.

No patent liability is assumed by Rockwell Automation, Inc. with respect to use of information, circuits, equipment, or software described in this manual.

Reproduction of the contents of this manual, in whole or in part, without written permission of Rockwell Automation, Inc., is prohibited.

Documentation Feedback

Your comments will help us serve your documentation needs better. If you have any suggestions on how to improve this document, complete this form, publication [RA-DU002](#), available at <http://www.rockwellautomation.com/literature/>.

Allen-Bradley, PanelView Component, CompactLogix, ControlLogix, SLC, Rockwell Software, PowerFlex, Rockwell Automation, and TechConnect are trademarks of Rockwell Automation, Inc.

Trademarks not belonging to Rockwell Automation are property of their respective companies.

Rockwell Otomasyon Ticaret A.Ş., Kar Plaza İş Merkezi E Blok Kat:6 34752 İçerenköy, İstanbul, Tel: +90 (216) 5698400

www.rockwellautomation.com

Power, Control and Information Solutions Headquarters

Americas: Rockwell Automation, 1201 South Second Street, Milwaukee, WI 53204 USA, Tel: (1) 414.382.2000, Fax: (1) 414.382.4444

Europe/Middle East/Africa: Rockwell Automation, Vorstlaan/Boulevard du Souverain 36, 1170 Brussels, Belgium, Tel: (32) 2 663 0600, Fax: (32) 2 663 0640

Asia Pacific: Rockwell Automation, Level 14, Core F, Cyberport 3, 100 Cyberport Road, Hong Kong, Tel: (852) 2887 4788, Fax: (852) 2508 1846