

## IL-1050

Amplifier Unit, DIN Rail Type



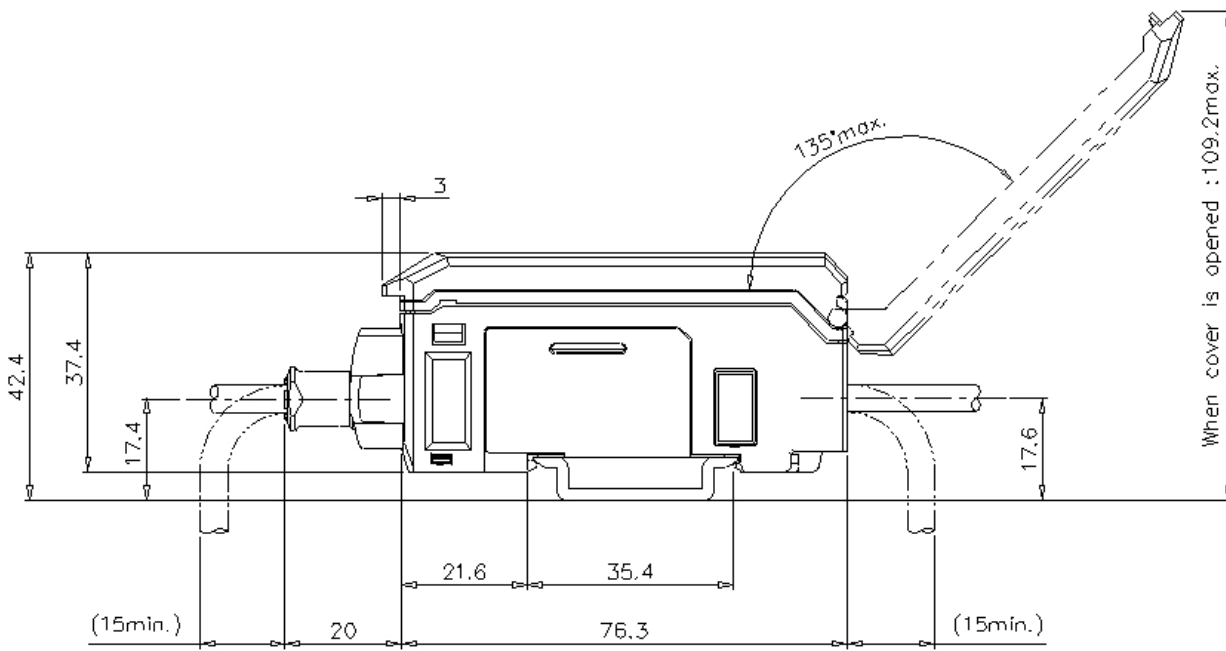
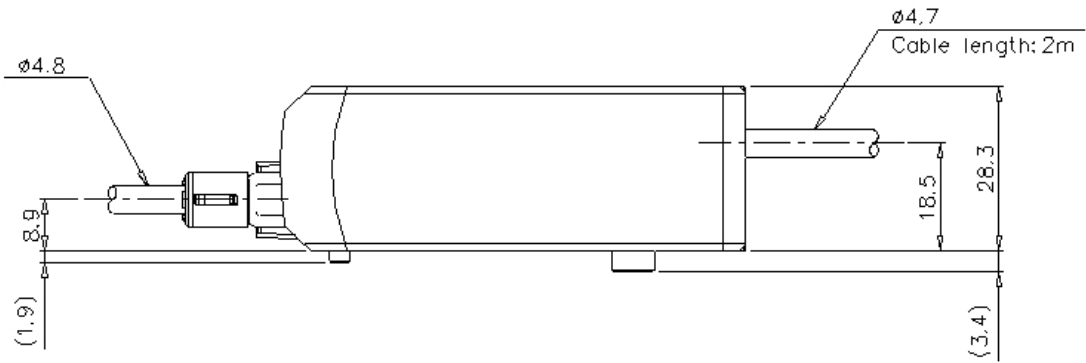
## SPECIFICATIONS

Model	IL-1050	
Type	DIN-rail mount	
Main unit/expansion unit	Expansion unit	
Head compatibility	Compatible	
Display	Minimum displayable unit	IL-030: 1 $\mu\text{m}$ 0.04 Mil, IL-065, IL-100: 2 $\mu\text{m}$ 0.08 Mil, IL-300: 10 $\mu\text{m}$ 0.39 Mil, IL-600: 50 $\mu\text{m}$ 1.97 Mil
	Display range	IL-030/IL-065/IL-100: $\pm 99.999$ mm to $\pm 99$ mm (4 levels selectable) IL-300/IL-600: $\pm 999.999$ mm to $\pm 999$ mm (3 levels selectable)
	Display rate	Approx. 10 times/sec.
Analog voltage output <sup>*1</sup>	None	
Analog current output <sup>*1</sup>		
Control input <sup>*2</sup>	Bank switch input	Non-voltage input
	Zero-shift input	
	Stop emission input	
	Timing input	
	Reset input	
Control output <sup>*3</sup>	Judgement output	Open collector output (NPN, PNP changeover possible/N.O., N.C. changeover possible)
	Alarm output	Open collector output (NPN, PNP changeover possible/N.C.)
Current	Power voltage <sup>*4</sup>	Supplied by main unit
	Power consumption	2000 mW or less (at 30 V: 67 mA or less)
Environmental resistance	Ambient humidity	-10 to +50°C (14 to 122°F) (No condensation or freezing)
	Ambient temperature	35 to 85% RH (No condensation)
	Vibration	10 to 55 Hz 1.5 mm 0.06" double amplitude in the X, Y and Z directions, 2 hours respectively
	Pollution degree	2
Material	Main unit case/Front sheet: Polycarbonate; Key tops: Polyacetel; Cable: PVC	
Weight (including attachments)	Approx. 140 g	

<sup>\*1</sup> Select and use one of  $\pm 5$  V, 1 to 5 V, 0 to 5 V or 4 to 20 mA.  
<sup>\*2</sup> Assign an input of your choice to the 4 external input lines before using.  
<sup>\*3</sup> The NPN open collector rated output is: 50 mA max./ch (20 mA when adding an expansion unit) less than 30 V, residual voltage less than 1 V (less than 1.5 V when adding over 6 units including the main unit)  
The PNP open collector rated output is: 50 mA max./ch (20 mA/ch when adding an expansion unit), less than power voltage, and less than 2 V residual voltage (less than 2.5 V when adding over 6 units including the main unit)  
<sup>\*4</sup> If there are over 6 additional expansion units, please use a power voltage of 20 to 30 V.

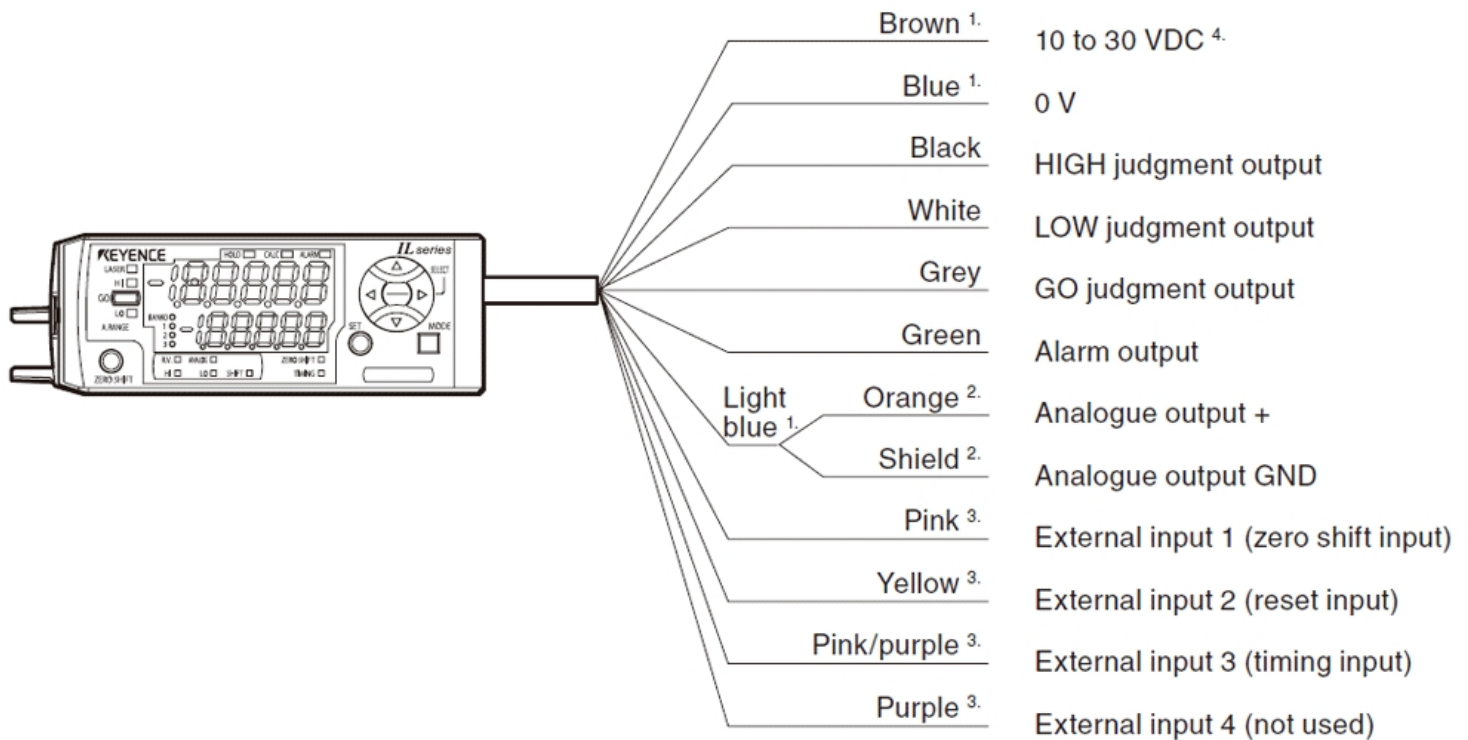
Dimensions

IL-1050



## I/O Circuit Connection diagram

## Wiring Diagram



1. The brown, blue, and light blue cables are not provided in a IL-1050/IL-1550 unit (expansion unit).

The power is supplied to the expansion unit from the IL-1000/IL-1500 unit (main unit).

2. For an analogue output, OFF (not used), 0 to 5 V,  $\pm 5$  V,

1 to 5 V, or 4 to 20 mA can be selected.

3. For an external input, bank A input, bank B input, laser emission stop input, or OFF (not used) can also be selected.

For details, refer to the User's Manual.

4. If there are over 6 additional expansion units, please use a power voltage of 20 to 30 V.