



SR-G100

Handheld DPM Code Reader



Specifications

Model	SR-G100		
Receiver	Sensor	CMOS image sensor	
	Number of pixels	900 × 900 pixels (2D code), 1280 × 900 pixels (Barcode)	
Light emitter	Illumination light source		
Reading specifications	Supported symbol	2D code	QR, MicroQR, DataMatrix (ECC200), GS1 DataMatrix, PDF417, MicroPDF417, GS1 Composite (CC-A/CC-B/CC-C)
		Barcode	CODE39, ITF, 2of5 (Industrial 2of5), COOP 2of5, NW-7 (Codabar), CODE128, GS1-128, GS1 DataBar, CODE93, JAN/EAN/UPC, Trioptic CODE39, CODE39 Full ASCII, Pharmacode
	Minimum resolution	2D code	0.127 mm 0.005"
		Barcode	0.1 mm 0.004"
	Focal distance	30 mm 1.18"	
Communication specifications	Wireless communication	Bluetooth Ver. 2.1 + EDR Class 2	
	Wireless communication distance	Approx. 10 m 32.81' (line-of-sight)	
	Setup communication	USB 2.0 Full Speed	
Rating	Power consumption	Approx. 8.5 W	
Environmental resistance	Enclosure rating	IP54	
	Ambient light	Sunlight: 10,000 lux, Incandescent lamp: 6,000 lux, Fluorescent lamp: 2,000 lux	
	Ambient temperature	0 to +45 °C 32 to 113 °F , When charging: 0 to +40 °C 32 to 104 °F	
	Storage temperature	-10 to +50 °C 14 to 122 °F	
	Relative humidity	35 to 95 % RH (No condensation)	
	Storage relative humidity		
	Operating environment	No dust or corrosive gases present	
Drop Resistance	2.0 m 6.56' (multiple drops to concrete), 50 times*1		
Continuous usage time (Central value)	Approx. 10 hours (reading count: 10000)		
Charging time	Approx. 4.5 hours		
Dimensions	214 × 78.5 × 97.4 mm 8.43" × 3.09" × 3.83"		
Weight	Approx. 375 g (incl. rechargeable battery pack)		

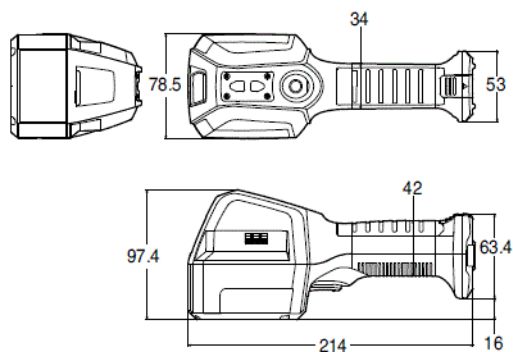
*1 This is a typical value at room temperature, but not a guaranteed value.

Dimensions

* Download CAD file or product manual for larger image/text and more detail.

sr-g100_dimension_01.gif

■ SR-G100



■ SR-PU1

